

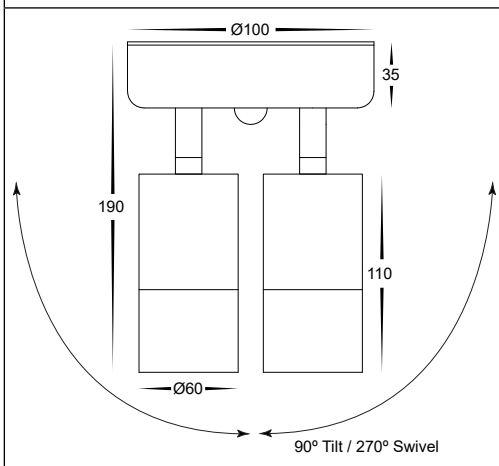
# Tivah Double Adjustable With Sensor Installation Instructions



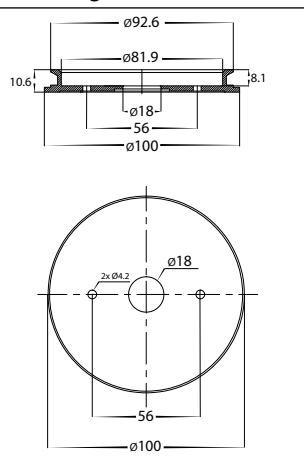
## Product Specifications

Model No.	HV1305T-PIR	HV1306T-PIR	HV1325T-PIR	HV1326T-PIR	HV1335T-PIR	HV1336T-PIR
Name	Tivah					
Material	316 Stainless Steel		Aluminium		Aluminium	
Colour	Stainless Steel		Black		White	
IP Rating	IP65					
Input Voltage	240v AC					
Lamp Base	GU10	Built in LED	GU10	Built in LED	GU10	Built in LED
Lamp Wattage	2x 3w, 5w, 7w	2x 12w	2x 3w, 5w, 7w	2x 12w	2x 3w, 5w, 7w	2x 12w
Colour Temp	TRI Colour - 3000k, 4000k, 5500k					
Lumens	2x 240-560lm 2x 255-595lm 2x 270-630lm	2x 1080lm 2x 1140lm 2x 1200lm	2x 240-560lm 2x 255-595lm 2x 270-630lm	2x 1080lm 2x 1140lm 2x 1200lm	2x 240-560lm 2x 255-595lm 2x 270-630lm	2x 1080lm 2x 1140lm 2x 1200lm
CRI	> 80					
Dimmable	No					
Warranty	3 Years Replacement*					

### Dimensions:



### Mounting Base Dimensions:



### Important Safety Issues:

- This product must be installed by a qualified electrician according to AS/NZS 3000.
- Ensure all electrical mains are disconnected before any installation.
- Do not exceed maximum wattage restrictions for globes: 240V GU10 = 35w
- Modification of this product will void any warranty.
- Havit Lighting does not take responsibility for wrong installation, incorrect use, or use of installation material that does not belong to the system.
- Aluminium and 304SS fittings must not be installed within 5km of any salt water environments.
- All 316 stainless steel fittings must have regular cleaning maintenance to avoid any tea staining from forming on fitting. (Warranty does not cover Tea Staining)
- All o-rings and seals must be in place correctly to maintain warranty.
- Fitting must not be installed onto surfaces which may cause damage to fitting eg. Sandstone or Bush Rock
- These instructions may be updated at any time due to product improvements. Please visit website for most current installation instructions.

### Steps for Installation:

1. Make sure that the electrical circuit is free of voltage (master switch off)
2. Loosen allen screws on side of base and separate mounting bracket from fitting.
3. Install the backing plate securely using appropriate screws for application, Seal all holes in the backing plate including cable entry and screw holes. Failure to do so will void warranty.
4. Connect the cable - use wire with earth; connect the earth first, then live and neutral wire.
5. Affix the fitting to the mounting bracket and tighten allen screws, making sure these are tight to avoid any water penetration.
6. Apply silicon seal around the whole base plate to avoid any water getting into electrical connections.
7. Colour temperature and wattage is preset to 3000k, to change remove covers from fitting by twisting anti clockwise and set aside.  
For GU10 Models Select colour temperature and wattage by moving switches on side of globe and reinsert globe into lampholder.  
For Built in LED Models, Slide switch located behind reflector to desired colour temperature.
8. Adjust fitting to desired position making sure to stop rotating when fitting cannot rotate anymore, If forced fitting will continue to rotate and cause internal cables to become entangled causing fitting to short. If this is done, warranty will be voided.
9. Sensor Settings
  - To adjust Sensor, rotate cover on sensor to the left or right to show settings
  - Adjust time, use a flat head screwdriver and rotate position to the right up to a maximum of 12 mins
  - Adjust Lux settings, use a flathead screwdriver and rotate position to the right to only have light fitting turn on at night.
  - Manual Override Function - Switch light off and then back on within 2 seconds for light to stay permanently on, To return light back into sensor mode, Switch off for 1 minute then back on,
10. Reattach cover by turning clockwise making sure the seals are still in place and caps are tight to avoid any water penetration.
11. All connections must be carried out carefully, inspect all contacts before switching back on the electric circuit.

### Steps for Changing Globe:

1. Remove the cover by twisting anti-clockwise and set aside, remove globe by also twisting anti-clockwise.
2. Re-insert the appropriate globe by inserting the 2 circular pins into the lampholder and twisting clockwise.  
(Make sure not to exceed max wattage, see product label for correct info)
3. Reattach cover by turning clockwise making sure the seals are still in place and caps are tight to avoid any water penetration.

## Must be installed by a licensed electrician

### Contact Details:

143 Beauchamp Road  
Matraville NSW 2036  
Australia  
Tel: 02 9381 8300  
Fax: 02 9666 8881  
Email: sales@havit.com.au  
Web: www.havit.com.au

### Warranty Terms & Conditions\*



### Additional Information

