

# Tivah Silver

## Double Adjustable Spotlights



### **PRODUCT SPECIFICATIONS**

**Name:** Tivah

**Material:** Aluminium

**Colour:** Silver

**IP Rating:** IP65

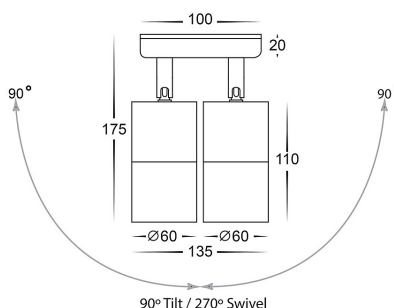
**Lamp Base:** GU10 or MR16

**CRI:** ≥80

**Wiring:** Parallel

**Dimmable:** No

**Warranty:** 2 Years Replacement\*\*



PART NUMBER	COLOUR TEMP	LUMENS*	INPUT VOLTAGE	BEAM ANGLE	INCLUDED GLOBES
HV1345C	5500K	2 x 500lm	240v	60°	2 x 10w GU10 LED
HV1345W	3000K	2 x 460lm	240v	60°	2 x 10w GU10 LED
HV1346			240v		
HV1347GU10C	5500K	2 x 300lm	240v	120°	2 x 5w GU10 LED
HV1347GU10W	3000K	2 x 250lm	240v	120°	2 x 5w GU10 LED
HV1347MR16C	5500K	2 x 300lm	12v DC	120°	2 x 5w MR16 LED
HV1347MR16W	3000K	2 x 250lm	12v DC	120°	2 x 5w MR16 LED

12v DC models must be used with suitable 12v DC LED Driver

\* Lumen output measured at source

\*\* See Warranty Terms and Conditions for more information

For more information contact *Havit Lighting*

ADDRESS:  
143 Beauchamp Road  
Matraville NSW 2036  
Australia

Tel: 02 9381 8300  
Fax: 02 9666 8881  
Email: sales@havit.com.au  
web: www.havit.com.au