

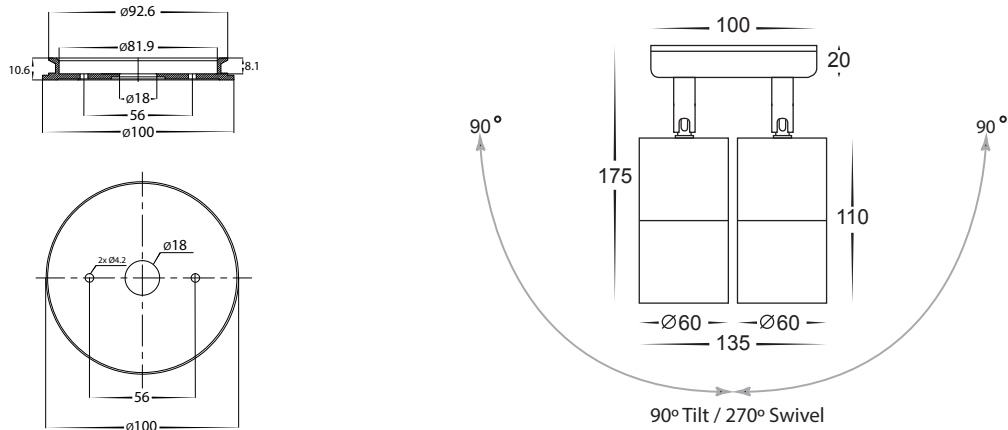
9in1 Tivah Double Adjustable Installation Instructions



Product Specifications

Model No.	HV1305T	HV1315T	HV1325T	HV1335T	HV1345T	HV1355T	HV1375T	HV1385T	HV1395T
Name	Tivah								
Material	316 Stainless Steel	Solid Copper	Aluminium	Aluminium	Aluminium	Solid Brass	Solid Brass	Aluminium	Solid Brass
Colour	Stainless Steel	Copper	Black	White	Silver	Brass	Graphite	Titanium	Antique Brass
Installation Type	Wall or Ceiling/Eave- Surface Mounted								
IP Rating	IP65								
Input Voltage	240v AC								
Protection Class	1 (Requires Earth) ⚡								
Lamp Base	GU10								
Lamp Wattage	2x 3w, 5w, 7w								
Colour Temp	TRI Colour - 3000k, 4000k, 5500k								
Lumens	2x 240-560lm, 2x 255-595lm, 2x 270-630lm								
CRI	> 80								
Dimmable	No (not with globes supplied)								
Warranty	3 Years Replacement*								

Dimensions:



Important Safety Issues:

- This product must be installed by a qualified electrician according to AS/NZS 3000.
- Ensure all electrical mains are disconnected before any installation.
- Do not exceed maximum wattage restrictions for globes: 240V GU10 = 35w / 12V MR16 = 20w
- Modification of this product will void any warranty.
- Havit Lighting does not take responsibility for wrong installation, incorrect use, or use of installation material that does not belong to the system.
- Aluminium and 304SS fittings must not be installed within 5km of any salt water environments.
- When installing copper fittings, gloves must be worn to avoid any oils transferring to fitting.
- All 316 stainless steel fittings must have regular cleaning maintenance to avoid any tea staining from forming on fitting. (Warranty does not cover Tea Staining)
- All o-rings and seals must be in place correctly to maintain warranty.
- These instructions may be updated at any time due to product improvements. Please visit website for most current installation instructions.



Solid Brass and Solid Copper fittings will naturally tarnish, Solid brass fittings with additional coatings (Antique Brass & Graphite) may tarnish through the coating when installed in outdoor environments

Steps for Installation:

1. Make sure that the electrical circuit is free of voltage (master switch off)
2. Loosen allen screws on side of base and separate mounting bracket from fitting.
3. Install the backing plate securely using appropriate screws for application, Seal all holes in the backing plate including cable entry and screw holes. Failure to do so will void warranty.
4. Connect the cable - use wire with earth; connect the earth first, then live and neutral wire.
5. Affix the fitting to the mounting bracket and tighten allen screws, making sure these are tight to avoid any water penetration.
6. Apply silicon seal around the whole base plate to avoid any water getting into electrical connections.
7. Colour temperature and wattage is preset to 3000k and 7w, to change remove covers from fitting by twisting anti clockwise and set aside. Remove globe and select desired colour temperature and wattage by moving switches on side of globes and reinsert globes by inserting the 2 circular pins into the lampholder and twisting clockwise.
8. Adjust fitting to desired position making sure to stop rotating when fitting cannot rotate anymore, If forced fitting will continue to rotate and cause internal cables to become entangled causing fitting to short. If this is done, warranty will be voided.
9. Reattach cover by turning clockwise making sure the seals are still in place and caps are tight to avoid any water penetration.
10. All connections must be carried out carefully, inspect all contacts before switching back on the electric circuit.

Steps for Changing Globe:

1. Remove the cover by twisting anti-clockwise and set aside, remove globe by also twisting anti-clockwise.
2. Re-insert the appropriate globe by inserting the 2 circular pins into the lampholder and twisting clockwise. (Make sure not to exceed max wattage, see product label for correct info)
3. Reattach cover by turning clockwise making sure the seals are still in place and caps are tight to avoid any water penetration.

Must be installed by a licensed electrician

Contact Details:

143 Beauchamp Road
Matraville NSW 2036
Australia

Tel: 02 9381 8300
Fax: 02 9666 8881
Email: sales@havit.com.au
Web: www.havit.com.au

Warranty Terms & Conditions*



www.havit.com.au

