

Tivah Solid Copper Fixed Down Wall Pillar Lights



PRODUCT SPECIFICATIONS:

Name: Tivah

Material: Solid Copper

Colour: Copper (Will Age Over Time)

IP Rating: IP65

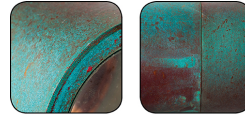
Lamp Base: GU10 or MR16

CRI: ≥80

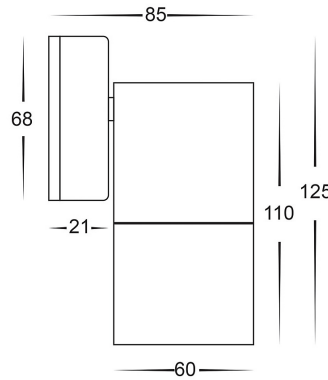
Wiring: Parallel

Dimmable: No

Warranty: 2 Years Replacement**



Weathered Copper



PART NUMBER	COLOUR TEMP	LUMENS*	INPUT VOLTAGE	BEAM ANGLE	INCLUDED GLOBES
HV1115C	5500K	500lm	240v	60°	10w GU10 LED
HV1115W	3000K	460lm	240v	60°	10w GU10 LED
HV1116			240v		
HV1117GU10C	5500K	300lm	240v	120°	5w GU10 LED
HV1117GU10W	3000K	250lm	240v	120°	5w GU10 LED
HV1117MR16C	5500K	300lm	12v DC	120°	5w MR16 LED
HV1117MR16W	3000K	250lm	12v DC	120°	5w MR16 LED

12v DC models must be used with suitable 12v DC LED Driver

* Lumen output measured at source

** See Warranty Terms and Conditions for more information

For more information contact *Havit Lighting*

ADDRESS:
143 Beauchamp Road
Matraville NSW 2036
Australia

Tel: 02 9381 8300
Fax: 02 9666 8881
Email: sales@havit.com.au
web: www.havit.com.au