

Tivah 316 Stainless Steel Fixed Down Wall Pillar Light



PRODUCT SPECIFICATIONS:

Name: Tivah

Material: 316 Stainless Steel

Colour: Stainless Steel

IP Rating: IP65

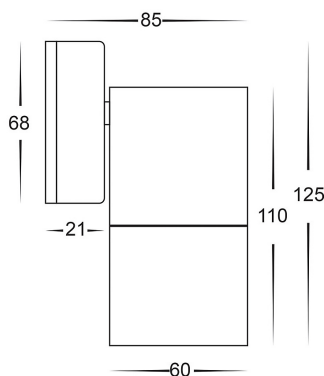
Lamp Base: GU10 or MR16

CRI: ≥80

Wiring: Parallel

Dimmable: No

Warranty: 2 Years Replacement**



PART NUMBER	COLOUR TEMP	LUMENS*	INPUT VOLTAGE	BEAM ANGLE	INCLUDED GLOBES
HV1105C	5500K	500lm	240v	60°	10w GU10 LED
HV1105W	3000K	460lm	240v	60°	10w GU10 LED
HV1106			240v		
HV1107GU10C	5500K	300lm	240v	120°	5w GU10 LED
HV1107GU10W	3000K	250lm	240v	120°	5w GU10 LED
HV1107MR16C	5500K	300lm	12v DC	120°	5w MR16 LED
HV1107MR16W	3000K	250lm	12v DC	120°	5w MR16 LED

12v DC models must be used with suitable 12v DC LED Driver

* Lumen output measured at source

** See Warranty Terms and Conditions for more information

For more information contact Havit Lighting

ADDRESS:
143 Beauchamp Road
Matraville NSW 2036
Australia

Tel: 02 9381 8300
Fax: 02 9666 8881
Email: sales@havit.com.au
web: www.havit.com.au