

# Exterior Spotlight Range Installation Instructions



## Up/Down Wall Pillars

HV1005C, HV1005W, HV1006, HV1007GU10C, HV1007GU10W, HV1007MR16C, HV1007MR16W, HV1015C, HV1015W, HV1016, HV1017GU10C, HV1017GU10W, HV1017MR16C, HV1017MR16W, HV1025C, HV1025W, HV1026, HV1027GU10C, HV1027GU10W, HV1027MR16C, HV1027MR16W, HV1035C, HV1035W, HV1036, HV1037GU10C, HV1037GU10W, HV1037MR16C, HV1037MR16W, HV1045C, HV1045W, HV1046, HV1047GU10C, HV1047GU10W, HV1047MR16C, HV1047MR16W, HV1065C, HV1065W, HV1066, HV1067GU10C, HV1067GU10W, HV1067MR16C, HV1067MR16W, HV1085C, HV1085W, HV1086, HV1087GU10C, HV1087GU10W, HV1087MR16C, HV1087MR16W,

## Fixed Down Wall Pillars

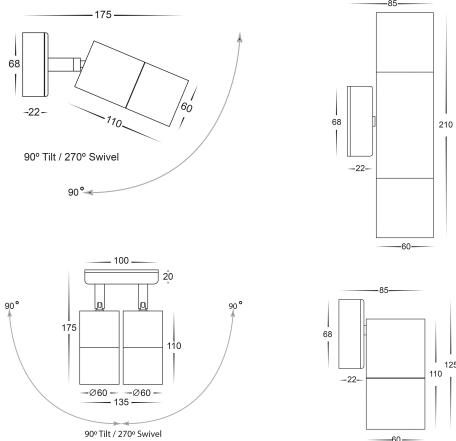
HV1105C, HV1105W, HV1106, HV1107GU10C, HV1107GU10W, HV1107MR16C, HV1107MR16W, HV1115C, HV1115W, HV1116, HV1017GU10C, HV1117GU10W, HV1117MR16C, HV1117MR16W, HV1125C, HV1125W, HV1126, HV1127GU10C, HV1127GU10W, HV1127MR16C, HV1127MR16W, HV1135C, HV1135W, HV1136, HV1137GU10C, HV1137GU10W, HV1137MR16C, HV1137MR16W, HV1145C, HV1145W, HV1146, HV1147GU10C, HV1147GU10W, HV1147MR16C, HV1147MR16W, HV1165C, HV1165W, HV1166, HV1167GU10C, HV1167GU10W, HV1167MR16C, HV1167MR16W, HV1185C, HV1185W, HV1186, HV1187GU10C, HV1187GU10W, HV1087MR16C, HV1187MR16W,

## Single Adjustable Wall Pillars

HV1205C, HV1205W, HV1206, HV1207GU10C, HV1207GU10W, HV1207MR16C, HV1207MR16W, HV1215C, HV1215W, HV1216, HV1217GU10C, HV1217GU10W, HV1217MR16C, HV1217MR16W, HV1225C, HV1225W, HV1226, HV1227GU10C, HV1227GU10W, HV1227MR16C, HV1227MR16W, HV1235C, HV1235W, HV1236, HV1237GU10C, HV1237GU10W, HV1237MR16C, HV1237MR16W, HV1245C, HV1245W, HV1246, HV1247GU10C, HV1247GU10W, HV1247MR16C, HV1247MR16W, HV1265C, HV1265W, HV1266, HV1267GU10C, HV1267GU10W, HV1267MR16C, HV1267MR16W, HV1285C, HV1285W, HV1286, HV1287GU10C, HV1287GU10W, HV1287MR16C, HV1287MR16W,

## Double Adjustable Wall Pillars

HV1305C, HV1305W, HV1306, HV1307GU10C, HV1307GU10W, HV1307MR16C, HV1307MR16W, HV1315C, HV1315W, HV1316, HV1317GU10C, HV1317GU10W, HV1317MR16C, HV1317MR16W, HV1325C, HV1325W, HV1326, HV1327GU10C, HV1327GU10W, HV1327MR16C, HV1327MR16W, HV1335C, HV1335W, HV1336, HV1337GU10C, HV1337GU10W, HV1337MR16C, HV1337MR16W, HV1345C, HV1345W, HV1346, HV1347GU10C, HV1347GU10W, HV1347MR16C, HV1347MR16W, HV1365C, HV1365W, HV1366, HV1367GU10C, HV1367GU10W, HV1367MR16C, HV1367MR16W, HV1385C, HV1385W, HV1386, HV1387GU10C, HV1387GU10W, HV1387MR16C, HV1387MR16W,



## Important Safety Issues;

- This product must be installed by a qualified electrician according to AS/NZS 3000.
- Ensure all electrical mains are disconnected before any installation.
- Do not exceed maximum wattage restrictions for globes: 240V GU10 = 35W / 12V MR16 = 20W
- Some Havit fittings are supplied with specialist factory installed internal components and should not be removed.
- Modification of this product will void any warranty.
- Do not touch the lamp with bare hands, and ensure to let lamp cool after use before touching. This lamp can get extremely hot.
- Havit Lighting does not take responsibility for wrong installation, incorrect use, or use of installation material that does not belong to the system.
- All o-rings and seals must be in place correctly to maintain warranty

## Steps for Installation;

1. Make sure that the electrical circuit is free of voltage (master switch off)
2. Install the backing plate securely, ensuring to seal around this plate to avoid moisture penetration. Seal all holes in the backing plate including cable entry and screw holes. When installing copper fittings make sure that the gloves provided are used to avoid any fingerprints or marks transferring to the surface of the fitting. Failure to do so will void warranty.
3. Connect the cable -
  - o 240v models, (use wire with earth); connect the earth first, then live and neutral wire
  - o 12v model, use an appropriate LED Driver, connect live and neutral wire.
4. Affix the spotlight to the mounting plate
5. Open the cover if no lamp was supplied and affix the appropriate globe (see max wattage info)
6. All connections must be carried out carefully, inspect all contacts before switching back on the electric circuit.

**THESE FITTINGS MUST BE INSTALLED BY A LICENSED ELECTRICIAN**