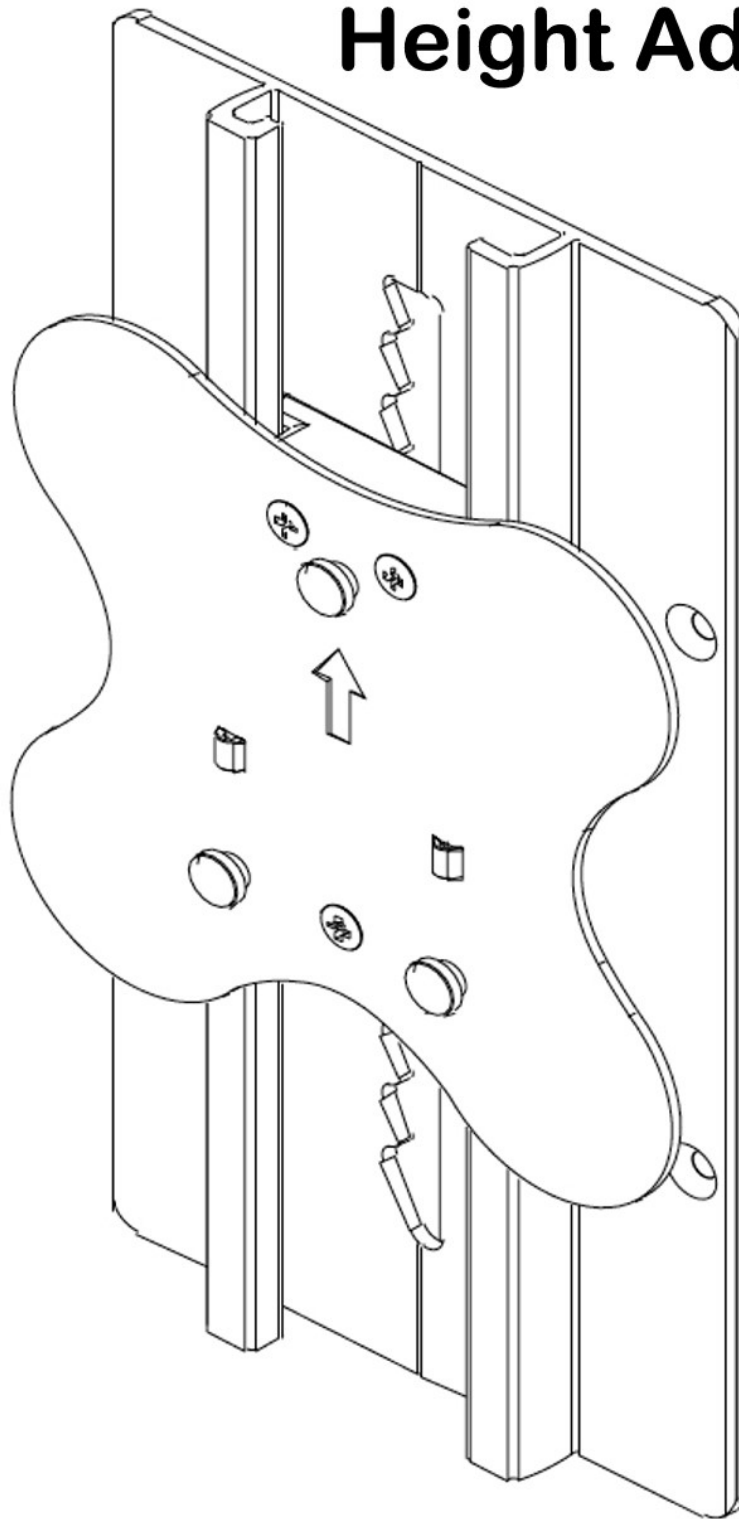
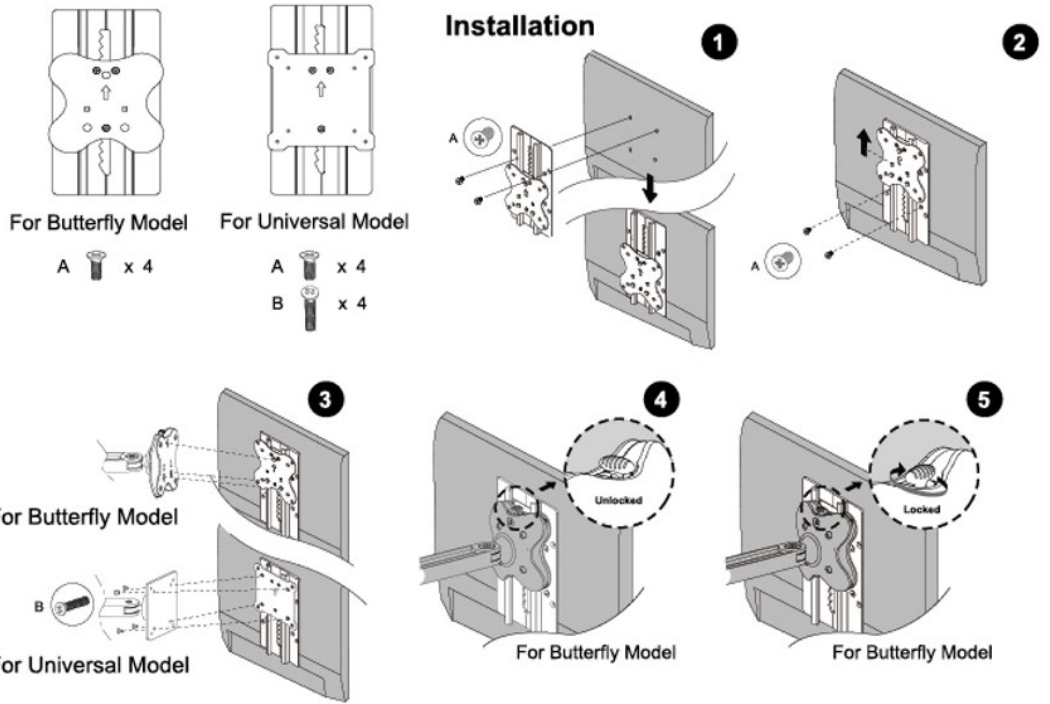


# Standesk- RUNNER Height Adjuster

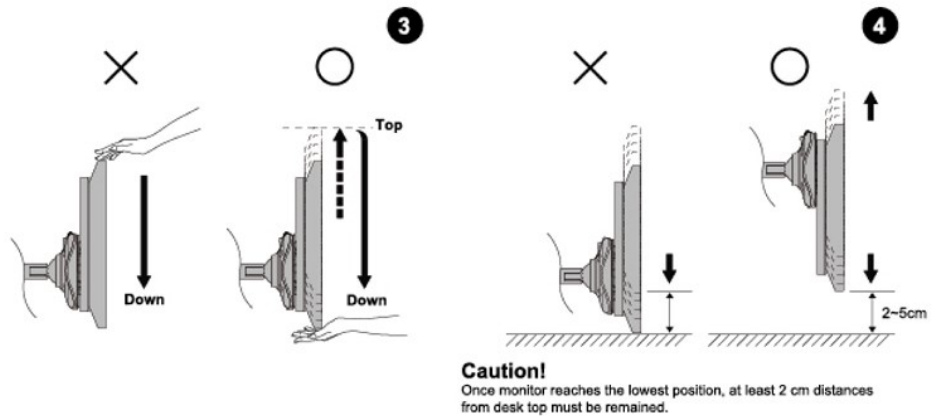
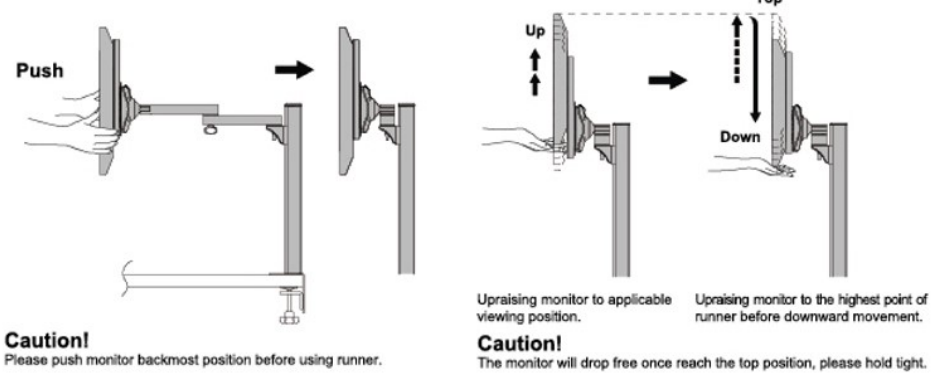


**Flexible your working space**

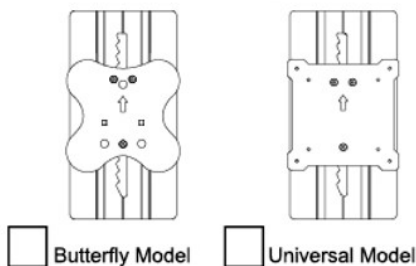
• A front end height adjustment use an optimal solution for a health and comfortable work environment. • Elevates monitor height to provide more comfort viewing posture. • Easy adjust, 150mm height adjusts range. • Aluminum construction



**Operation Guide**



Dimensions:  
225(L)x115(W)x21.1(D)mm  
8.85(L)x4.52(W)x0.83(D)inch



**Standesk- RUNNER  
Height Adjuster**

