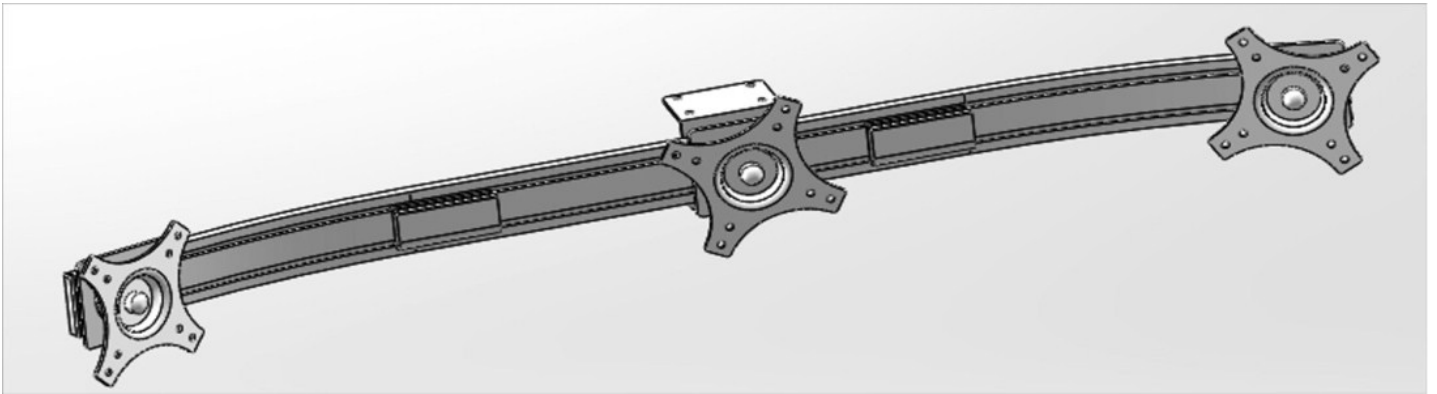


standesk™
2 † a u q e 2 k



3 monitor bracket - curved

The **Standesk** electric sit-stand workstation is available with a Curved 3 Monitor Mount. This accessory will allow you to mount 3 monitors to work simultaneously, while allowing the end 2 monitors to be angled in towards the user.

3 monitor bracket - curved

- iMac convertible using a VESA mount adapter kit for iMac adapter



The Standesk electric sit-stand workstation is available with a Curved 3 Monitor Mount. This accessory will allow you to mount 3 monitors to work simultaneously, with all monitors angled in towards the user.

FEATURES

- Bracket Type: Curved 3 Monitor Pole Mount.
- **Max screen width including bezel = 500 wide**
- Screen Size: Up to 24" (depending on bezel & screen overall width)
- Weight Rating: Up to 8 kg per screen
- Vesa Mounting Support: 75 x 75 to 100 x 100 (WxH) **iMac convertible using a [VESA Mount Adapter Kit for iMac](#)**
- Tilt: 15° Up / 15° Down from centre
- Extension Max 550mm from centre to centre to centre of Vesa mounting bracket
- Portrait/Landscape: Both (360° rotation)
- Pole Length: 1120mm (Pole size: L1120mm x W55mm)
- Accessories: Parts bag, M4 bolts, User Guide & Hex Key.
- Colour: Silver matt finish.
- 5 Year Warranty
- Recommended for LCD monitors up to 24"
- Solid extruded aluminium track allowing for different size monitors
- Angle/swivel adjustment for monitor arm included. NOTE: this can be reversed to increase the height of the monitor for taller users during assembly
- 6 height adjustment positions possible
- Vesa brackets are adjustable for swivel and angle.
- Per unit box size = 1215mm x 150mm x 220mm (0.04m3) : Gross weight 2.5kg per unit.
- **Standard packaging= 10 Units per box = Shipping dimensions 1225mm x 760mm x 455mm (0.42m3) : Gross weight 26kg per box containing 10 units.**
- Some assembly required

5 YEAR WARRANTY

MODEL: OP-MB-3 MONITOR BRACKET-CURVED

Please note: the monitors are not included.