



# VIMBLE 2A

3-Axis Stabilized Handheld Gimbal for Action Camera

## Instructions

EN V2.0

# Catalogue

<b>1. Overview</b>	<b>2</b>
<b>2. Start to Use</b>	<b>4</b>
2.1 Charging	4
2.2 Unlock / Lock	4
2.3 Mount Action Camera	5
2.4 Power ON/OFF	5
2.5 Extend and Reset the Handle	6
<b>3. Function Operation</b>	<b>6</b>
3.1 Function / Modes Introduction	6
3.2 Joystick Operation	7
3.3 Function Button Operation	8
3.4 Slide Button Operation	8
3.5 Shutter Button Operation	9
3.6 Trigger Button Pperation	9
3.7 Gimbal Initialization	10
3.8 Manual Lock	11
3.9 Portrait Mode	11
3.10 Light Indicator	12
<b>4. Feiyu ON App</b>	<b>12</b>
4.1 Download the Feiyu ON App	12
4.2 Connect Feiyu ON App	13
4.3 Firmware Upgrade	14
<b>5. Specifications</b>	<b>15</b>
<b>Disclaimer</b>	<b>16</b>

3-Axis stabilized handheld gimbal for action camera with small size and portable, extendable feature. It supports portrait mode and landscape mode, well control the recording/photo/timelapes of action camera.

## Suggestion

Vimble 2A includes below information, please read the information before using the gimbal



1. Quick start guide
2. Online instruction
3. Tutorial

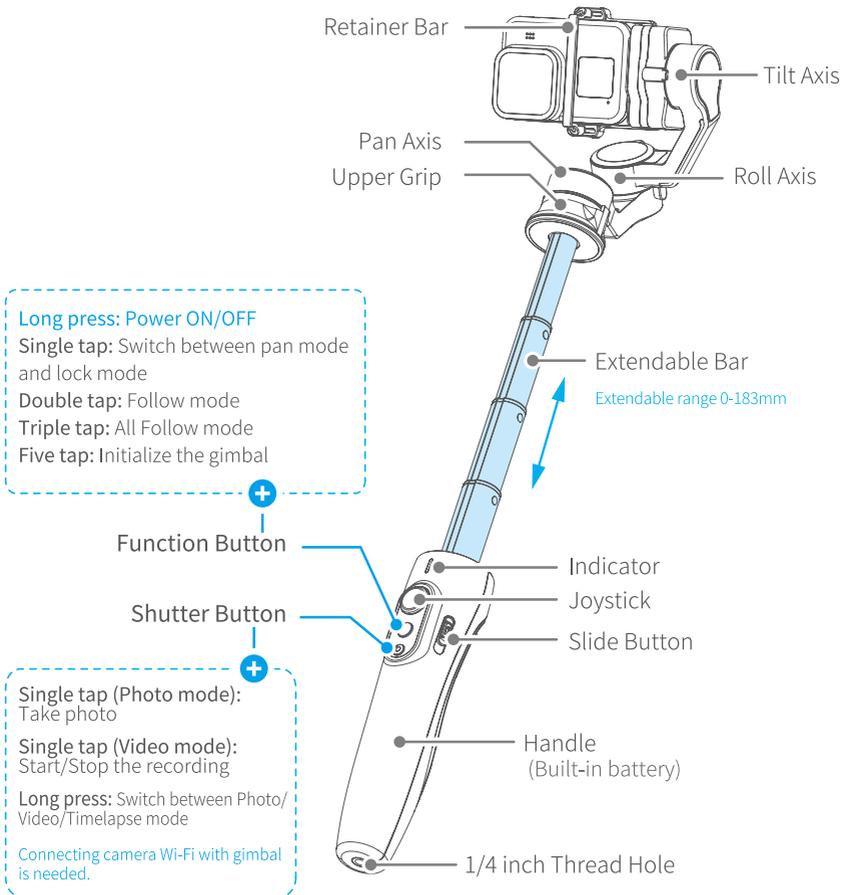
The tutorial videos can be watched at FeiyuTech official website or scan the QR code at the right side.

<https://www.feiyu-tech.com/play/>

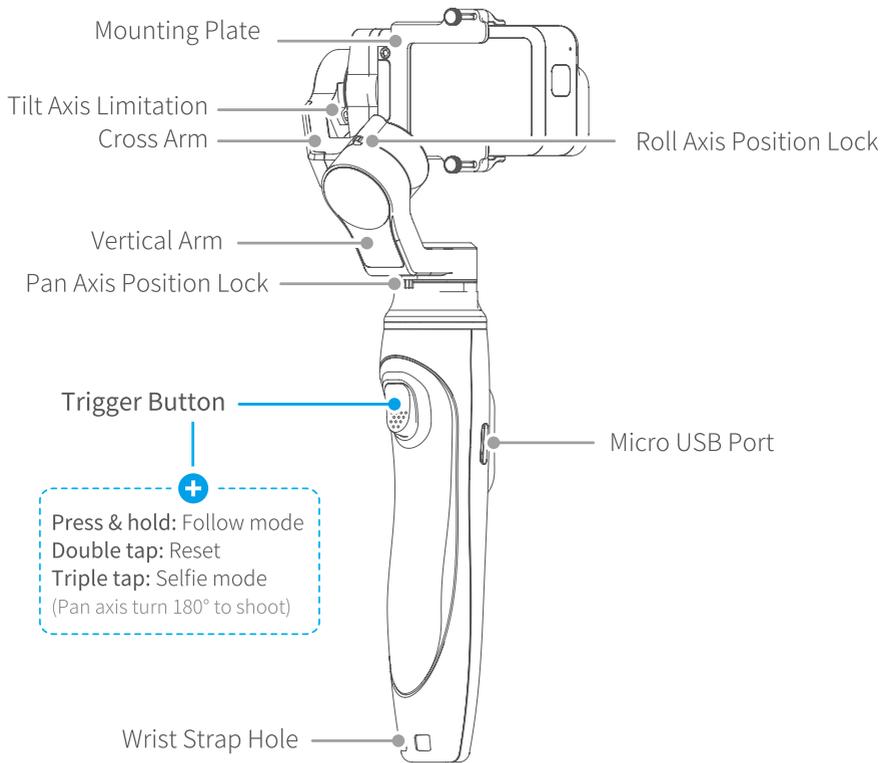
## Download Feiyu ON App

Feiyu ON App is needed while using the gimbal. Please download Feiyu ON at your smartphone App Store or scan the QR code as below. [See P12 for more.](#) 

# 1. Overview



\* The gimbal dose NOT include action camera.



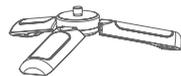
### Standard Accessories



Micro USB Cable × 1



Wrist Strap × 1



Tripod × 1

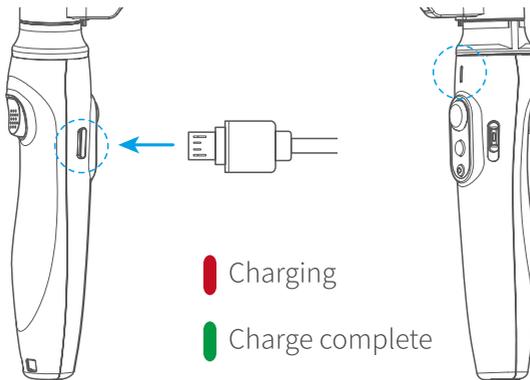
## 2. Start to Use

### TIPS

- (1) Please fully charge gimbal before power on for the first time.
- (2) If the power is too low, the indicator will flash red for three times every five seconds. It is recommended to charge it immediately.
- (3) When not in use, please turn off the gimbal.
- (4) Unlock pan axis position lock & roll axis position lock before using.

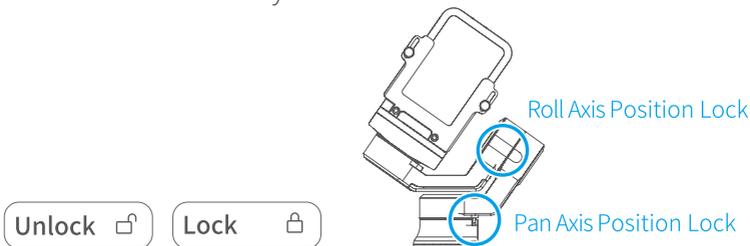
### 2.1 Charging

When charging with Micro USB cable, indicator keeps solid red. When fully charged, the indicator keeps solid green.



### 2.2 Unlock / Lock

When the axes are lock, please turn the motor to left or right to unlock them with the guidance of Lock & Unlock symbol.



Take the pan axis position lock for example.

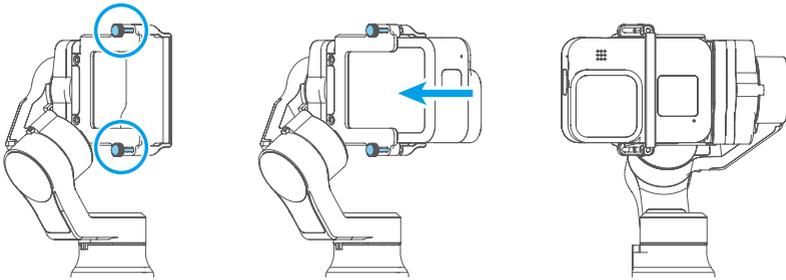


## 2.3 Mount Action Camera

Take the GoPro HERO8 camera for example.

- 1) Loosen the thumb screw.
- 2) Put the camera on mounting plate, then tighten the camera with retainer bar and screw.

\* It is recommended to install GoPro HERO8 upsidedown as pictured below.



Camera Mounting Completed

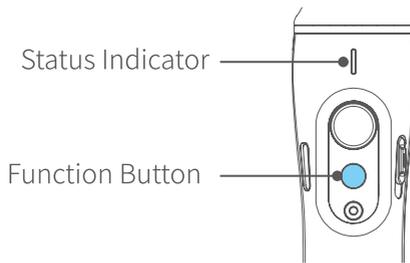
## 2.4 Power ON/OFF

### ⚠ TIPS:

- (1) Unlock pan axis position lock & roll axis position lock before using.
- (2) Tighten action camera before power on gimbal.

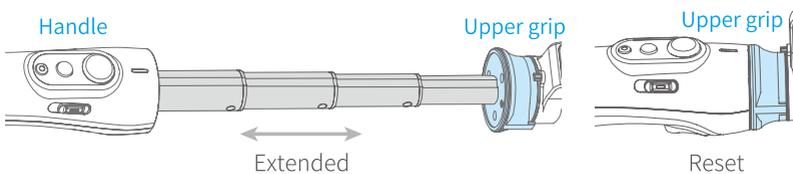
### Power ON/Power OFF:

Long press function button, release the button after hearing beep sound.



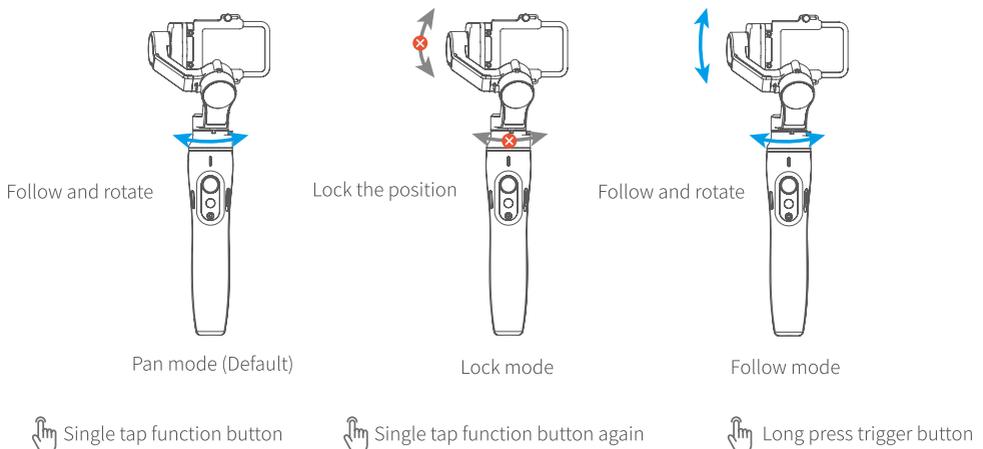
## 2.5 Extend and Reset the Handle

- 1) Hold the handle with one hand, hold upper grip with other hand.
  - 2) Extending: Pull the extendable bar out to suitable length (range from 0mm to 183mm)
- Reset: Push upper grip to make the extendable bar down to handle part.



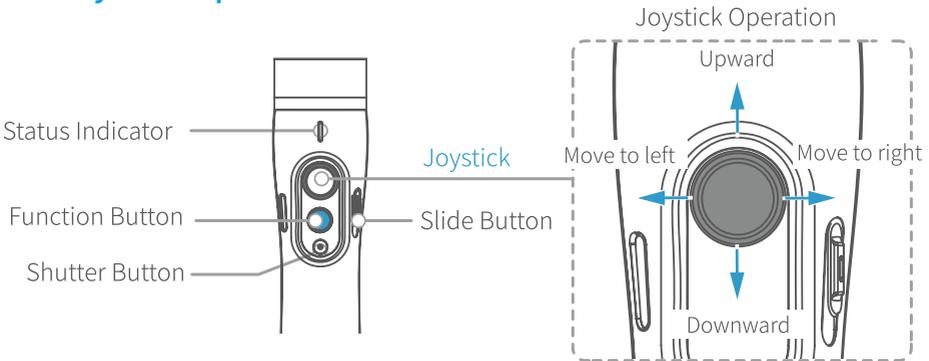
## 3. Function Operation

### 3.1 Function / Modes Introduction



Mode	Function
Pan Mode (Default mode)	The roll and tilt direction are fixed, and the camera moves according to the left-right movements of the user's hand.
Follow Mode	The roll direction is fixed, and the smartphone moves according to the left-right movements, up-down movements of the user's hand.
Lock Mode	The orientation of the camera is fixed.
Reset	Return to pan mode, three axes return to default position.
Manual Lock	Manually rotate the camera to a certain pan angle and tilt angle, and wait for half second to make the camera stay at that position.
Landscape and Portrait Shot	Assist landscape or portrait shooting.

### 3.2 Joystick Operation



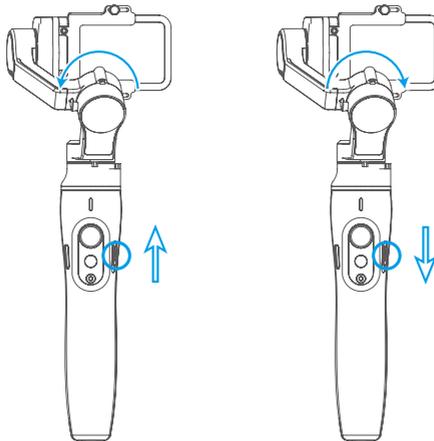
Joystick Operation	Function
Upward	Camera lens upward
Downward	Camera lens downward
Move to left	Camera lens move to left
Move to right	Camera lens move to right

### 3.3 Function Button Operation

Identify the current working mode through status indicator.

Function Button Operation	Function	Indicator Status
Single Tap	Switch Between Pan Mode/ Lock Mode	Pan Mode 
		Lock Mode 
Double Tap	Follow Mode (Pan and Tilt Axis Will Follow)	
Triple Tap	All Follow Mode (pan, tilt and roll axis will follow)	/
Five Tap	Gimbal Initialization	Motors will stop working after the tone. Status indicator turns solid blue. The blue light will flash three times to indicate end of the reset process. After the initialization is successful, single tap the function button again to wake up.
Long Press	Power On / Off	Power On 
		Power Off 

### 3.4 Slide Button Operation



Slide Button Operation	Function
Push-Up	Roll axis rotate counterclockwise.
Push-Down	Roll axis rotate clockwise.

### 3.5 Shutter Button Operation

Shutter Button Operation	Function		Status Indicator
Single Tap	In Photo Mode	Take Photo	/
	In Video Mode	Start/stop Recording	/
Long Press	Long press 3 seconds to switch among Photo/Video/Timelapse mode		/

### 3.6 Trigger Button Operation



Trigger Button Operation	Function	Status Indicator
Press & Hold	Follow Mode* (Release trigger button enter into previous mode)	/
Double Tap	Reset	
Triple Tap	Selfie Mode (Pan axis turn 180° to shoot)	/

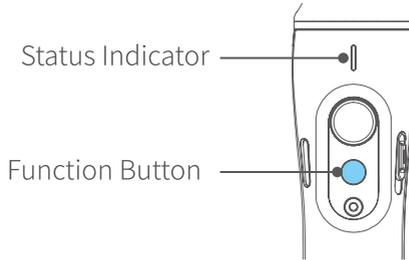
\* The button's operation function can be modified on App, after connecting Feiyu ON App succeeded.

### 3.7 Gimbal Initialization

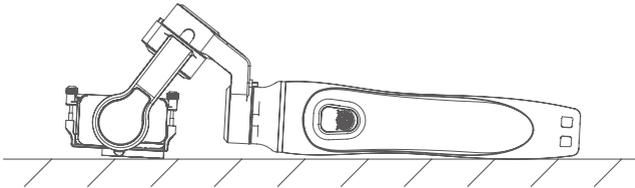
You can initialize your gimbal when:

- a. When camera is not balance.
- b. If not use for a long period of time.
- c. In case of extreme temperature variations.

Steps: (1) Five tap function button, the motors will stop working after the tone. Status indicator turns solid blue.



(2) Place the gimbal on a flat, horizontal surface. The gimbal will automatically reset a few seconds later, after detecting no movement. The blue light will flash three times to indicate end of the reset process.

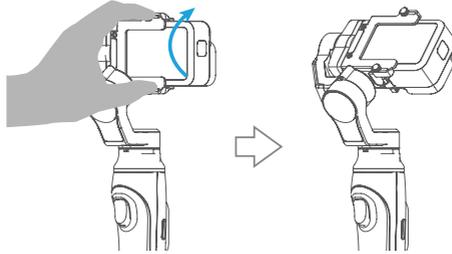


(3) After the initialization is successful, tap the function button to wake up.

 **Note: if the initialization is not successful, tap the function button to wake up. Restart initialization process.**

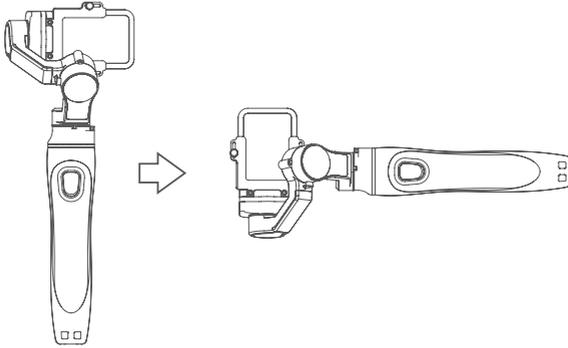
### 3.8 Manual Lock

Manually rotate the camera to a certain pan angle and tilt angle, and wait for half second to make the camera stay at that position.



### 3.9 Portrait Mode

Default (Rotate the handle  $\pm 70^\circ$  with the roll motor as the center to enter portrait mode automatically)



### 3.10 Light Indicator

Indicator Status	Description	Instruction
	Blue light flash once	Pan mode / Reset
	Constant Blue light	Lock Mode / Initialization
	Blue light flash twice	Follow Mode
	Blue light keeps flashing	Initialization Failure / Malfunction
	Green light flashes once	Photo / Video
	Green light change to blue	Power On
	Red light turn off	Power off
	Red light flashes three times	Low power
	Red light keeps flashing	Gimbal powering off because of low power
	Green light flash twice for twice	Camera connected
	Red light flash twice for twice	Camera disconnected
	Green light flash twice return to blue light keeps flashing	Wifi connected

## 4. Feiyu ON App

### 4.1 Download the Feiyu ON App

Scan the QR code to download the app, or search for "Feiyu ON" in the App Store or Google Play. Watch tutorials in video skill page on Feiyu ON.

\* Requires iOS 9.0 or above, Android 6.0 or above.

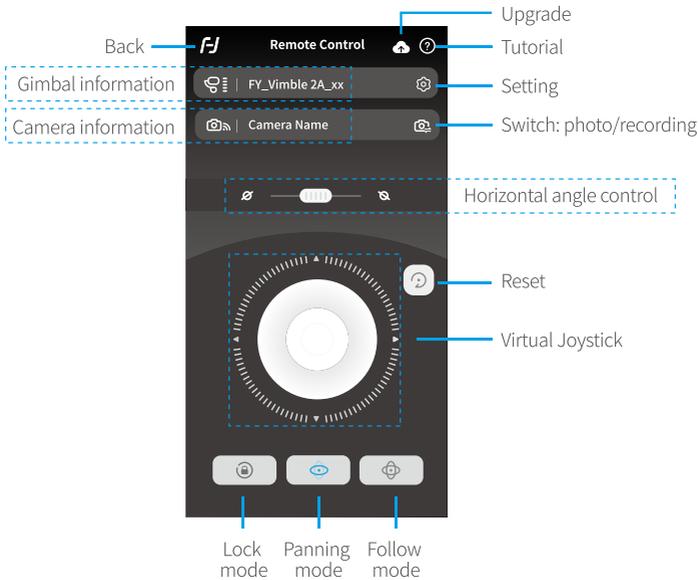


iOS Version



Android Version

## 4.2 Connect Feiyu ON App



### Steps:

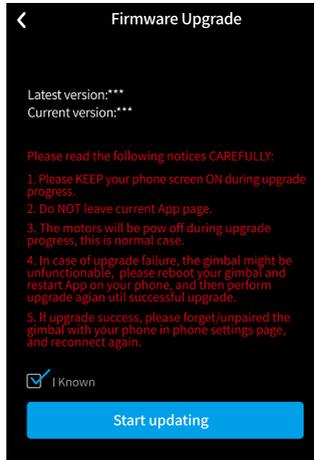
- (1) Turn on the gimbal.
- (2) turn the camera's Wifi (usually in camera's "setting- network-Wifi" to control), when the screen shows the name and the password of the Wifi, stay at interface
- (3) Log in Feiyu ON App (Register for the first time).
- (4) The App will search equipment nearby, and it will show "connection succeed" after a while. If it's fail, please try to exit and log in the App again.
- (5) Tap "connect to camera" in the screen, and choose your camera model in the list. (Tips: App embedded many firmware for different band, and default to use the firmware which you used last time. For example, if you used brand A's camera last time, and use brand B's camera for this time, it will ask you to re-download the firmware, please follow the prompts.
- (6) Choose the right Wifi of the camera and enter the password according the information that you get from step 2. You can control the gimbal after the screen shows "connection succeed", including remote control the gimbal to move, switch working mode and set parameters, etc. If the connection failed, please confirm the Wi-Fi password are entered correctly. Or try to exit and log in the App

again.

## 4.3 Firmware Upgrade

Upgrade the firmware through the Feiyu ON App.

- (1) Click the icon on the top left .
- (2) Select upgrade type.
- (3) Follow the prompts to upgrade the firmware.



Tips: the gimbal has upgrade protection, restart the gimbal after the upgrade is failed, then the gimbal can reset to the last firmware version, and users can connect to the APP to upgrade again. Part of the new functions need to upgrade 2 and more firmware to achieve, so it is recommended to upgrade firmware frequently to keep them are the latest versions.

Upgrade type introductions:

Keyboard Update

Repair / update or newly add button/touch screen/ interaction functions, update more compatibility cameras which can be controlled through WIFI, repair few bugs about camera control through WIFI, and etc.

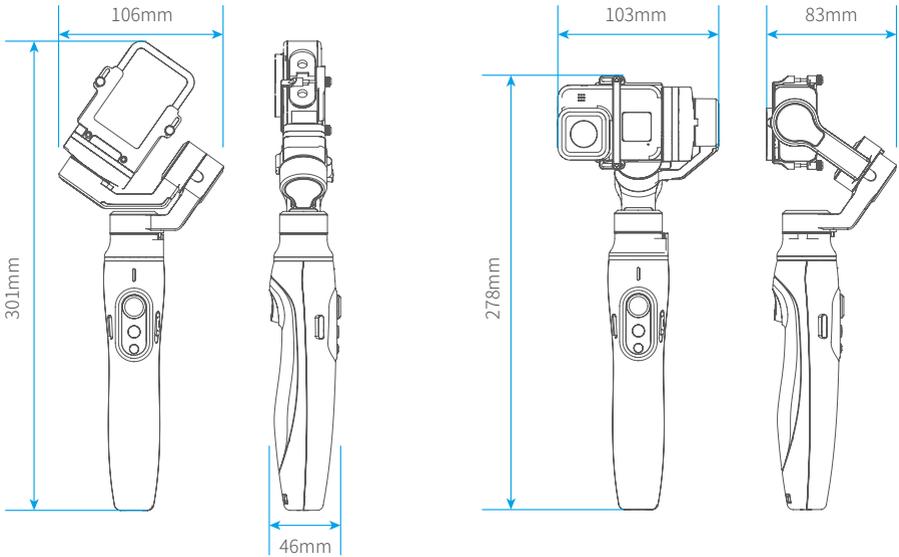
Bluetooth Firmware Update

Repair / update or newly add Bluetooth functions, update more compatibility cameras, and etc.

Gimbal Update

Repair / update or newly add gimbal control /function / parameter and etc.

## 5. Specifications



Product Dimensions	106mm×301mm×46mm (Storage status) 103mm×278mm×83mm (Working status)
--------------------	--

Net Gimbal Weight	279g (Including the batteries)
-------------------	--------------------------------

Max. Payload	135g
--------------	------

Max. Tilt Range	330°
-----------------	------

Max. Roll Range	195°
-----------------	------

Max. Pan Range	330°
----------------	------

Standby Time	10 Hours
--------------	----------

Cameras	GoPro HERO 8/7/6/5, SJCAM OSMO Action, Yi Cam, other cameras with similar dimensions
---------	--

## Disclaimer

Thanks for using Feiyu Gimbal. The information in this document affects your safety and your legal rights and responsibilities. Read the entire document carefully to ensure proper configuration before use, Failure to read and follow instructions and warnings in this document may result in serious injury to yourself or others, or damage to your products or damage to other objects in the vicinity.

Thanks for using Feiyu Gimbal. The information in this document affects your safety and your legal rights and responsibilities. Read the entire document carefully to ensure proper configuration before use, Failure to read and follow instructions and warnings in this document may result in serious injury to yourself or others, or damage to your products or damage to other objects in the vicinity.

FeiyuTech will not provide any service for any product obtained from abnormal channels.

### Notice

1. Make sure motor spinning is not blocked by external force when gimbal is power on.
2. DO NOT contact the gimbal with water or other liquid if the gimbal is not mark waterproof or splash-proof. Waterproof and splash-proof product DO NOT contact sea water or other corrosive liquid.
3. DO NOT disassemble the gimbal except marked detachable. It need send to FeiyuTech after-sales or authorized service center to fix it if you accidentally disassemble it and cause abnormal work. The relevant costs are borne by user.
4. Prolonged continuous operation may cause the motor surface temperature to rise, please operate carefully.
5. DO NOT drop or strike the gimbal. If the battery is abnormal, contact Feiyu After-sales support.

### Storage and Maintenance

1. Keep the gimbal out of the reach of children and pets.
2. DO NOT leave the gimbal near heat sources such as a furnace or heater. DO NOT leave the gimbal inside of a vehicle on hot days.
3. Please storage the gimbal in dry environment.
4. DO NOT overcharge or overuse the battery, otherwise it will cause damage to the battery core.

5. Never use the gimbal when the temperature is too high or too low.

## Official Social Media



Website



Facebook



Youtube



Twitter



Instagram

Facebook: [www.facebook.com/feiyutech](http://www.facebook.com/feiyutech)

YouTube Channel: [www.youtube.com/c/Feiyu-tech](http://www.youtube.com/c/Feiyu-tech)

Twitter: [www.twitter.com/feiyutech](http://www.twitter.com/feiyutech)

Instagram: [www.instagram.com/FeiyuTech](http://www.instagram.com/FeiyuTech)

YouTube Channel: [www.youtube.com/c/Feiyu-tech](http://www.youtube.com/c/Feiyu-tech)

Online Store: [store.feiyu-tech.com](http://store.feiyu-tech.com)



Guilin Feiyu Technology Incorporated Company

For more information, please visit our official website [www.feiyu-tech.com](http://www.feiyu-tech.com)

E-mail: [service@feiyu-tech.com](mailto:service@feiyu-tech.com) Tel: +86 773 2320865

Due to software and hardware improvements, your actual product might differ from the descriptions and pictures in this user manual. You can get the latest user manual from the official website.