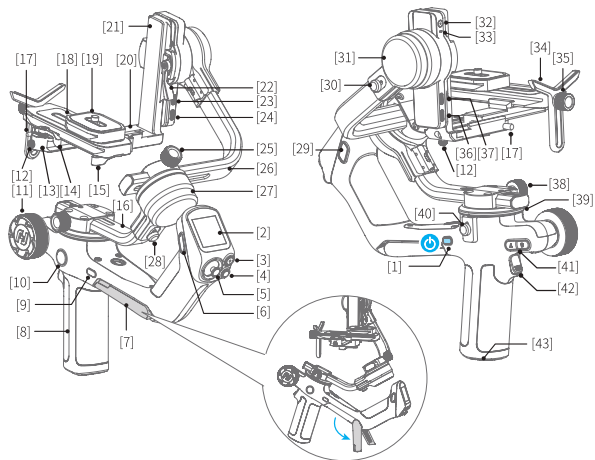


## 1. Overview

\* Not include camera.



- [1] Power button
- [2] Touch screen
- [3] Shutter button
- [4] Mode button
- [5] Joystick
- [6] F1 button
- [7] Kickstand
- [8] Handle
- [9] FPV button
- [10] Knob function switching button
- [11] Multifunction knob
- [12] Anti-drop lock for slider
- [13] Slider
- [14] Quick release plate lock
- [15] Slider lock

- [16] Vertical arm
- [17] Anti-drop lock
- [18] Quick release plate
- [19] Camera backing base
- [20] Slider
- [21] Slider lock
- [22] Image transmission port
- [23] Extension port 1
- [24] Coss arm lock knob
- [25] Cross arm
- [26] Trigger button
- [27] Roll lock
- [28] Versatile arm
- [29] F2 button
- [30] Tilt lock
- [31] Tilt axis

- [32] Camera for tracking module
- [33] Indicator light for tracking module
- [34] Lens holder
- [35] Lens holder screw
- [36] Extension port 2
- [37] Camera control port/USB-C power output port<sup>①</sup>
- [38] Vertical arm lock knob
- [39] Pan axis
- [40] Pan axis
- [41] A/B button
- [42] Trigger button
- [43] 1/4 inch thread hole

① Supports charging for shooting devices compatible with the USB power supply protocol.

## User manual

Scan the QR code to get the latest user manual or download it from the official website.

<https://www.feiyu-tech.com/feiyu-scorp-2/>



## Download the App

Scan the QR code to download the app, or search for "Feiyu SCORP" in the App Store or Google Play.

\* Requires iOS 11.0 or above, Android 6.0 or above.



iOS

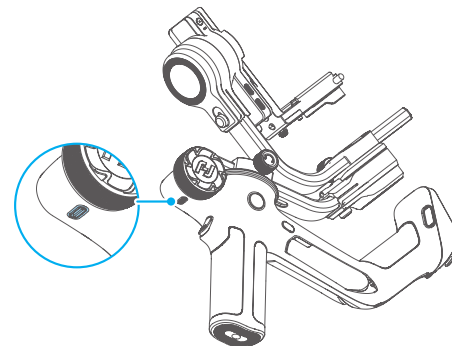


Android

## 2. Getting started

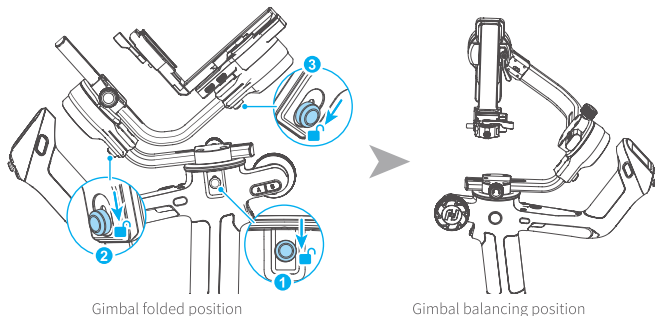
### 2.1 Charging

Please fully charge the battery before power on the gimbal for the first time. Charging with USB-C cable, supports quick charge.



## 2.2 Adjust the gimbal position to gimbal balancing position

The gimbal is folded by default, please unlock all the three axes and adjust the gimbal position to gimbal balancing position, and then lock the three axes.



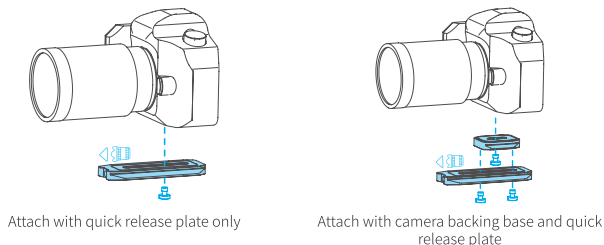
## 3. Mounting the camera

Before mounting the camera, make sure the camera is ready for shooting (Install the camera lens, and the lens cover should be removed, the memory card and battery needs to be inserted to the camera, and battery is fully charged), complete all the steps which mentioned in chapter "2. Getting started" and the gimbal is adjusted to **gimbal balancing position**. Make sure the gimbal is powered off or in sleep mode before mounting the camera.

### 3.1 Attach the quick release plate and camera backing base(Optional)

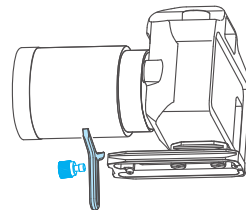
Attach the quick release plate to camera by tightening the screw.

User can choose to attach the camera backing base if needed ( For example, when using a long or heavy lens). Attach the camera backing base to camera, then attach it to quick release plate by tightening 2 screws.



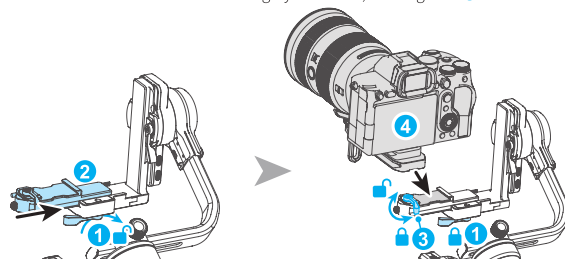
### 3.2 Install lens holder (Optional)

Install the lens holder on the quick release plate if needed, the rubber of the lens holder must be directly under the lens. It is recommended to use the lens holder when using a long or heavy lens.

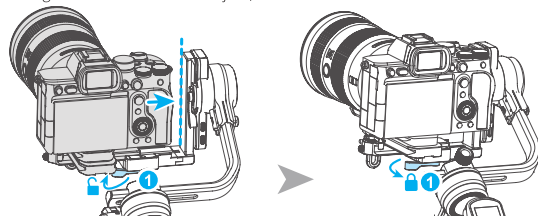


### 3.3 Mount camera on gimbal

Unlock ①, slide ② into the slot, lock ①, loosen ③, slide ④ into the slot as indicated, adjust the camera forward and backward until roughly balanced, then tighten ③.



It is recommended to push the camera against the tilt axis. Unlock ① to move the camera left or right according to camera's width to adjust, then lock ①.



## 4. Gimbal balancing

Please balance the gimbal before shooting. Make sure the camera and lens are ready for shooting, and the gimbal is powered off or in sleep mode before balancing. **It is recommended to hold up the camera first, then move the slide arm, cross arm and vertical arm.**

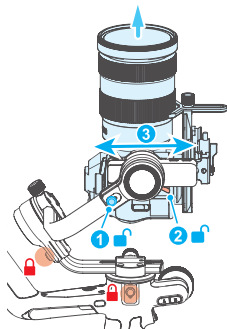


Tutorial Videos

### 4.1 Balancing the tilt axis

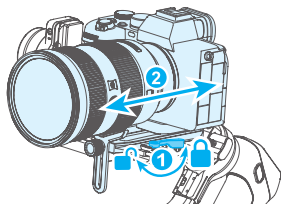
#### 4.1.1 Balancing the vertical tilt

- Unlock the tilt lock ①, and loosen the slide arm lock ②.
- Rotate the tilt axis so that the camera lens is pointing upward. Check the direction which the lens tilts to.
- If the lens tilts to one side, then the camera is that side heavy, move the slide arm ③ to the opposite direction, until the camera is steady pointing upward.
- Tighten the slide arm lock ② while holding the camera.



#### 4.1.2 Adjust depth for the tilt axis

- Rotate the tilt axis so that the camera lens is pointing forward. Check the direction which the lens tilts to.
- If the lens tilts to one side, then the camera is that side heavy, unlock the quick release plate lock ① and then move the quick release plate to the opposite direction, until the camera is steady pointing forward.
- Lock the quick release plate lock ① while holding the camera.



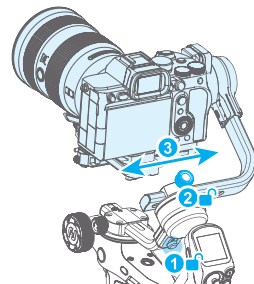
The tilt axis is balanced when the camera is steady while tilted up or down by 45°.

EN

### 4.2 Balancing the roll axis

- Unlock the roll lock ①, check the direction which the camera tilts to.
- If the camera tilts to one side, then the camera is that side heavy, loosen the cross arm lock knob ② and then move the cross arm to the opposite direction, until the camera can stay still and horizontal to the ground.
- Tighten the cross arm lock knob ②.

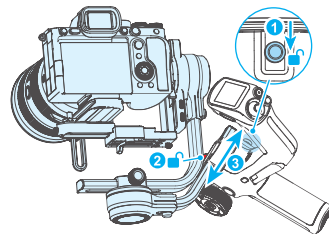
The roll axis is balanced when the camera can stay still and horizontal to the ground.



### 4.3 Balancing the pan axis

- Unlock the pan lock ①. Hold the tripod, and tilt the gimbal forward until it is horizontal to the ground.
- If the camera tilts to one side, then the camera is that side heavy, loosen the vertical arm lock knob ② and then move the vertical arm ③ to the opposite direction, until the camera can stay still and horizontal to the ground.
- Tighten the vertical arm lock knob ②.

The pan axis is balanced when the camera can stay still and horizontal to the ground.



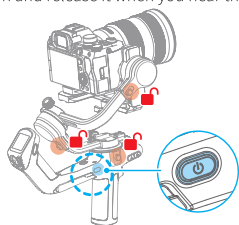
## 5. Operation

### 5.1 Power ON/ OFF

Before power on the gimbal, make sure you have balanced gimbal, and unlocked all the three axes. If you haven't unlocked all the 3 axes, gimbal will enter sleep mode to protect itself. Please single tap power button to wake up gimbal after unlocked all the 3 axes.

**! Please set motor power first after powering on gimbal for the first time or after changing a new camera/lens.**

Long press the power button and release it when you hear the beep sound to power on/off.



## 5.2 Follow mode introduction

**PF:** Pan follow, only the pan axis follows the movement of user's hand.

**PTF:** Pan and tilt follow, where both the pan and tilt axes follow the movement of user's hand, but roll axis does not.

**FPV:** Pan, tilt and roll follow, where all 3 axes follow the movement of user's hand.

**Lock:** All 3 axes do not follow the movement of user's hand, gimbal keeps the direction of the camera fixed.

**FFW:** Flash follow, where all 3 axes follow the movement of user's hand in high follow speed.

## 5.3 Button operation



### Power button

**Long press:** Power on/off  
**Single tap:** Wake up(In sleep mode)/Battery level display (When powered off)

**Double tap:** Enter sleep mode



### Joystick

**Push:** Control the movement of the tilt and pan axes.



### Mode button

**Single tap:** PF mode(Default)/PTF/FPV (Switch in turn)

**Tap five times:** Horizon calibration



### Shutter button

**Press half way:** Focus  
**Single tap (Fully):** Start/stop recording

**Long press (Fully):** Take photo



### Trigger button

**Double tap:** Recenter

**Triple tap:** Enter/Exit selfie mode (Pan axis turn 180°)

**Press and hold:** Lock mode (Release to exit)

You can custom the function via APP



### FPV button

**Single tap:** Enter/Exit FPV mode

EN



### F1 button

**Double tap:** Enter/exit portrait mode

**Triple Tap:** AI power on/off

**Long Press:** Enter/Exit AI Tracking (With AI Power enabled)



### Multifunction knob

**Turn:**

- (1) Control the movement of the roll, tilt and pan axes.
- (2) Control electronic focus/zoom.
- (3) Control focus motor.
- (4) Adjust the parameter in the touch screen.

Set current control option as option (1) or (2) or (3) through long press the knob function switching button or swipe up in home page.



### F2 button

**Single tap:**

- (1) Lock/Unlock screen (In home page)
- (2) Return to home page (In other pages)

**Double tap:** Enter FFW mode

**Long Press:** Enter motor power auto tuning



### Knob function switching button

- Single tap:** (1) Switch the control object while controlling the movement of the 3 axes (Tilt/Pan/Roll)
- (2) When in electronic focus/zoom control state, single tap to switch between electronic focus and electronic zoom

**Long press:** Switch the control options of Multifunction knob in turn (The movement of the 3 axes/Electronic focus/Focus motor)



### A/B button

**Long press:** Mark the current position as A/B

**Single tap:** Return to the position A/B that you have marked

Can be used to mark axes/focus position.

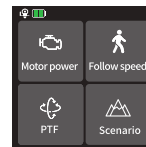
### Key Combinations:

**Long press F1 button + F2 button:** Clear bluetooth

\*(1) Some features may require specific camera support. You can visit the official website to check the list of compatible devices: <https://www.feiyu-tech.com/feiyu-scorp-2/>

(2) We recommend using this product in conjunction with the Feiyu SCORP App.

## 5.4 Touch screen operation



Home page

### Motor power

Use auto tune to adjust the motor power automatically, or adjust motor power for each axis manually.

### Follow speed

User can select different gimbal follow speed profiles, or custom follow speed.

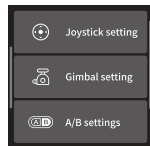
### Follow mode

Select gimbal follow mode

 PF    PTF    FPV    Lock    FFW

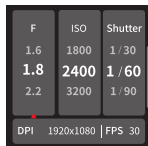
### Scenario

Scenario-based functional application.



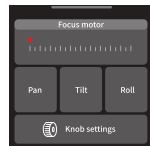
#### Swipe from right to left

Joystick, gimbal and more settings



#### Swipe from left to right

Shooting parameters settings



#### Swipe up

Multifunction knob settings

- **Return to previous menu:** Swipe to right

## 5.5 AI Tracking

Under AI Power-On State, the following controls are available:

### AI Gesture Control



#### OK gesture (Left or right hand): Start tracking/Stop tracking

Start tracking with the green light stays on.Repeat this gesture, stop tracking, enter standby mode with the red light stays on.Two gestures must be separated by 3 seconds



or



#### Thumbs opposite direction: Stop tracking

Stop tracking, enter standby mode with the red light stays on.



### Spread palm (Left or right hand): Shutter

When the smartphone is in photo/video mode: Take photo or start recording after a 3-second countdown with beep sound.

After started the recording, do the gesture again to stop recording



### Double L-Shaped gestures: Custom framing

Start framing, green light blinks fast. When the subject moves to the desired position, perform this gesture again to complete framing, and the green light stays on.

### Button control

Long press F1 button: Start tracking/Stop tracking

Triple tap F1 button: AI power on/off

## 6. Specifications

Product name	Feiyu SCORP 2 3-Axis Handheld Gimbal for Camera
Product model	FeiyuF2-2
Max. Tilt Range	+200° ~ -120°
Max. Roll Range	+245° ~ -75°
Max. Pan Range	360°
Weight(Main body)	About 1070g
Payload Capability	About 2500g (Well-balanced)
Battery life	13 Hours
Battery	2500mAh
Operating Voltage	6.8V-8.4V
Compatible Cameras	Sony, Canon, Nikon, Panasonic, etc. ( For specific camera and lens compatibility, please refer to the official website's compatibility list. )

## Accessories

[1] USB-C charging cable   x1	[12] Quick release plate   x1
[2] USB-C to Micro camera control cable   x1	[13] Camera backing base   x1
[3] USB-C to USB-C camera control cable   x1	[14] Lens holder   x1
[4] USB-C to TRS2.5 camera control cable   x1	[15] Lens holder screw   x1
[5] USB-C to Multi camera control cable   x1	[16] Camera fixed screw   x3
[6] USB-C to 2.5mm camera control cable (DC2.5mm)   x1	
[7] USB-C to TRS3.5 camera control cable   x1	
[8] USB-C to Mini camera control cable   x1	
[9] Tripod   x1	
[10] Fixed plate   x1	
[11] Slider   x1	

### Kit Version Additions:

[17] ARRI rosettes expansion accessory   x1
[18] Expandable module   x1
[19] Carbon fiber rod   x1
[20] Storage bag   x1