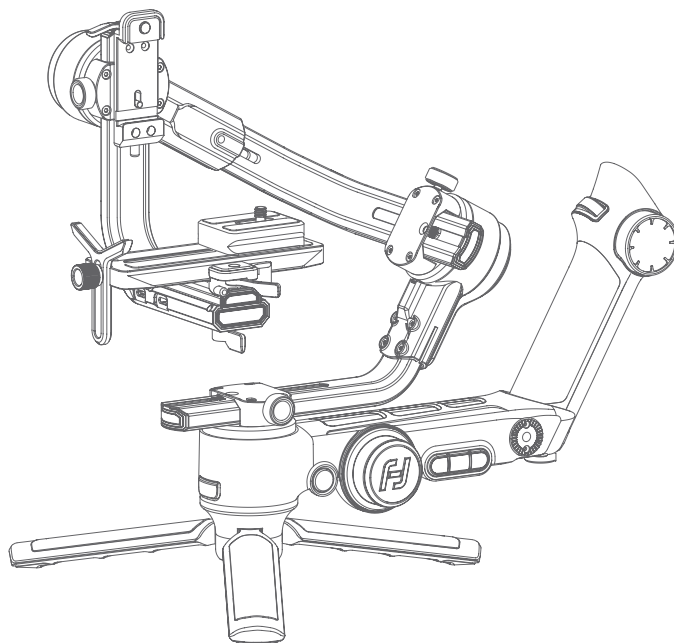


SCORP Pro

Quick Start Guide V1.1

EN CN DE FR ES IT

Tutorial Videos



User manual

Scan the QR code to get the latest user manual or download it from the official website.

<https://www.feiyu-tech.com/feiyu-scorp-pro/>



User manual

Download the App

Scan the QR code to download the app, or search for "Feiyu SCORP" in the App Store or Google Play.

* Requires iOS 9.0 or above, Android 6.0 or above.



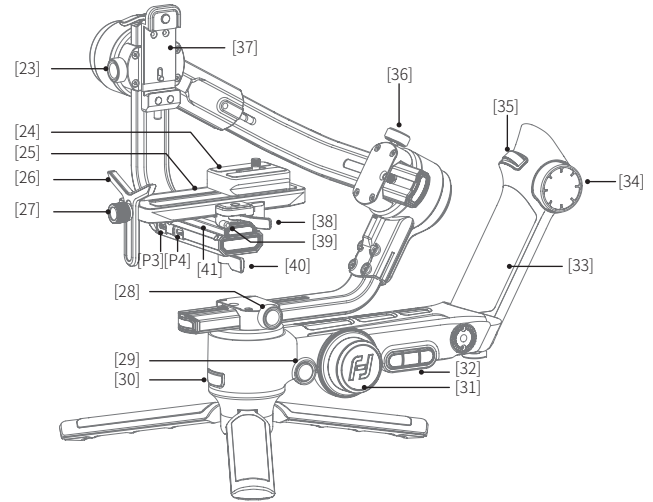
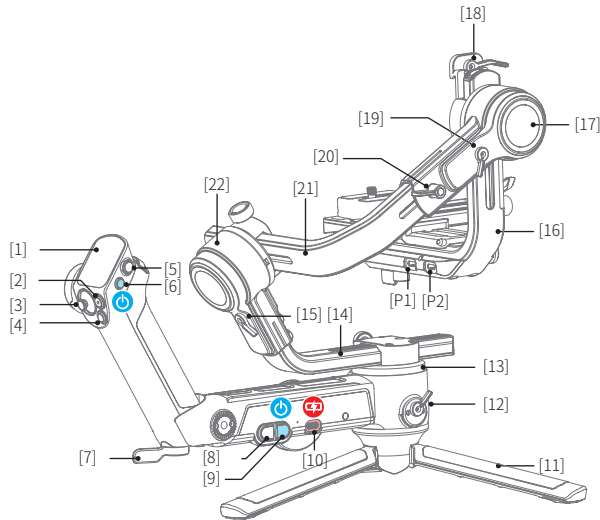
iOS



Android

1. Overview

* Not include camera.

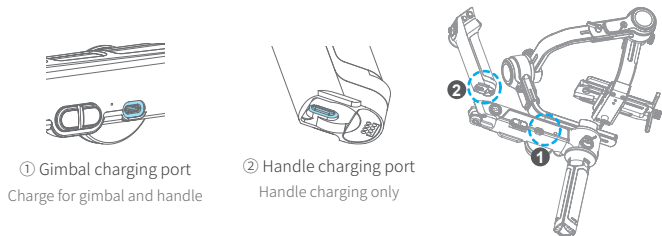


- | | | |
|---------------------------|---|---------------------------------------|
| [1] Touch Screen | [18] Vertical quick release plate safety lock | [33] Remote control handle |
| [2] Shutter button | [19] Tilt lock | [34] Multifunction knob (Handle knob) |
| [3] Joystick | [20] Cross arm extending position knob | [35] Focusing wheel |
| [4] Handle mode button | [21] Cross arm | [36] Cross arm lock knob |
| [5] Customizable button | [22] Roll axis | [37] Vertical mounting plate |
| [6] Handle power button | [23] Slide arm lock knob | [38] Quick release plate safety lock |
| [7] Handle lock | [24] Camera backing base | [39] Anti-drop column |
| [8] Gimbal mode button | [25] Quick release plate | [40] Slider lock |
| [9] Gimbal power button | [26] Lens holder | [41] Fixed plate slider |
| [10] Type-C charging port | [27] Lens holder screw | [P1] Camera control port |
| [11] Tripod | [28] Vertical arm lock knob | [P2] Image transmission port |
| [12] Pan lock | [29] Knob function switching button | [P3] Extension port 1 |
| [13] Pan axis | [30] Trigger button | [P4] Extension port 2 |
| [14] Vertical arm | [31] Multifunction knob (Main knob) | |
| [15] Roll lock | [32] A/B/C button (Record Mark points) | |
| [16] Slide arm | | |
| [17] Tilt axis | | |

2. Getting started

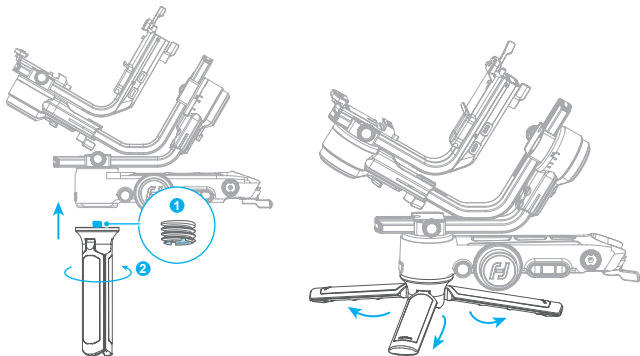
2.1 Charging

Please fully charge the battery before power on the gimbal for the first time. Charging with USB2.0 to Type-C cable, supports quick charge.



2.2 Install the tripod

Install the 3/8 - 1/4 inch thread insert ① on the 1/4 inch screw which is on the top of the tripod (The thread insert is factory mounted). Mount the tripod ② to the bottom of the gimbal, then unfold the tripod and place the gimbal on a flat surface.

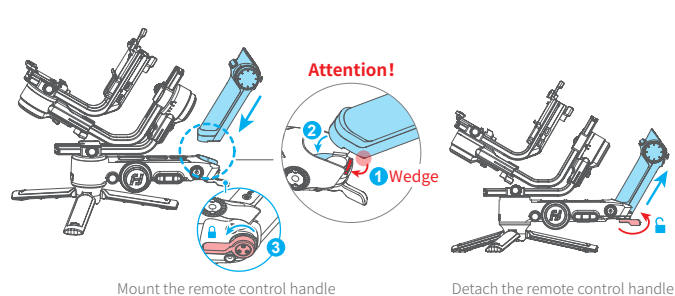


EN

2.3 Install the remote control handle

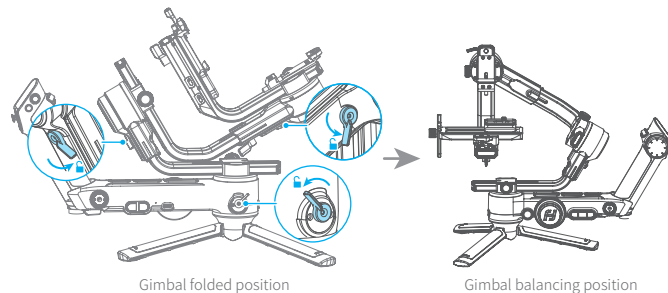
When install the handle, please wedge the buckle ①, then push down the handle from ②, until the handle lock ③ is engaged, then toggle the handle lock lever to the locked position to finish the installation.

When detach the handle, please toggle the handle lock lever to the unlocked position, and pull up the handle.



2.4 Adjust the gimbal position to gimbal balancing position

The gimbal is folded by default, please toggle the tilt lock, roll lock, and pan lock levers to the unlocked position and adjust the gimbal position to gimbal balancing position, and then toggle the three locks to the locked position.

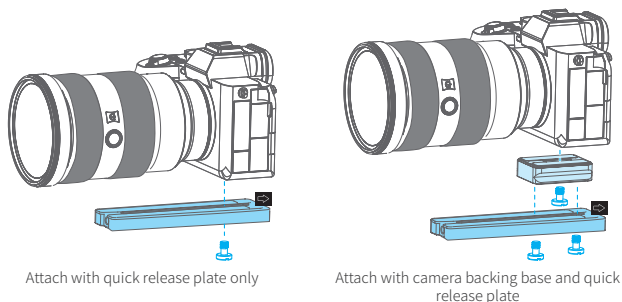


3. Mounting the Camera

Before mounting the camera, make sure the camera is ready for shooting (Install the camera lens, and the lens cover should be removed, the memory card and battery needs to be inserted to the camera, and battery is fully charged), complete all the steps which mentioned in chapter "2. Getting started" and the gimbal is adjusted to **gimbal balancing position**. Make sure the gimbal is powered off or in sleep mode before mounting the camera.

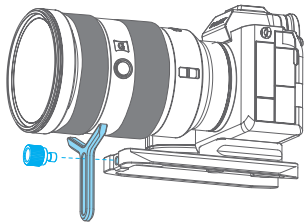
3.1 Attach the quick release plate and camera backing base(Optional)

Attach the quick release plate to camera by tightening the screw. User can choose to attach the camera backing base according to need (For example, when using a long or heavy lens). Attach the camera backing base to camera, then attach it to quick release plate by tightening 2 screws.



3.2 Install lens holder (Optional)

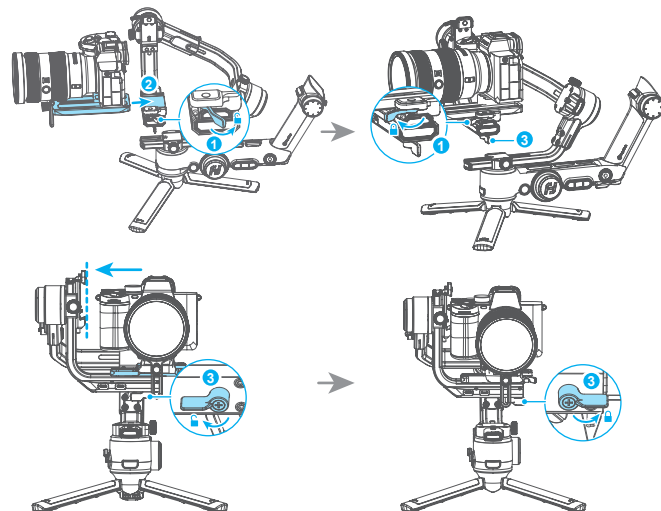
Install the lens holder on the quick release plate as needed, the rubber of the lens holder must be directly under the lens. It is recommended to use the lens holder when using a long or heavy lens.



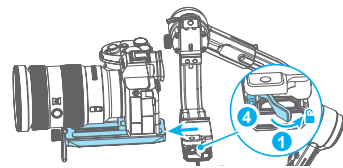
3.3 Mount camera on gimbal

Horizontal mounting

Unlock the quick release plate safety lock ①, push the plate with the mounted camera into the slot ② in direction of arrow, lock the safety lock ① once the camera is roughly balanced. It is recommended to push the camera against the tilt axis. Unlock the slider lock ③ to move the camera left or right according to camera's width, then lock the slider lock ③.

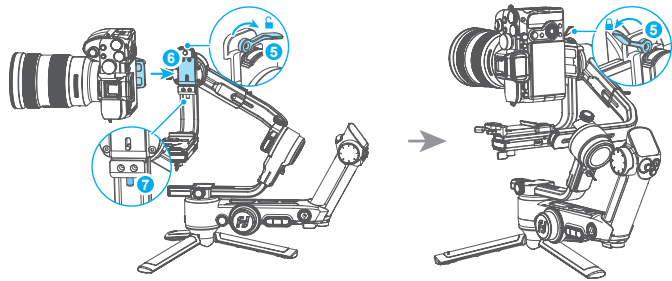


Remove: Unlock the quick release plate safety lock ①, remove the quick release plate while pressing anti-drop column ④.



Vertical mounting

Unlock the vertical quick release plate safety lock ⑤, push the plate with the mounted camera into the slot ⑥, lock the safety lock ⑤ once the camera is roughly balanced.



Remove: Please refer to the remove steps for horizontal mounting. Unlock the quick release plate safety lock ⑤, remove the quick release plate while pressing anti-drop column ⑦.

4. Gimbal Balancing

Please balance the gimbal before shooting. Make sure the camera and lens are ready for shooting, and the gimbal is powered off or in sleep mode before balancing. **It is recommended to hold up the camera first, then move the slide arm, cross arm and vertical arm.**

Take horizontal mounting as an example.

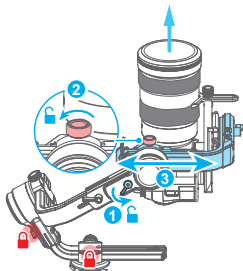


Tutorial Videos

4.1 Balancing the tilt axis

4.1.1 Balancing the vertical tilt

- Toggle the tilt lock levers ① to the unlocked position, and loosen the slide arm lock knob ②.
- Rotate the tilt axis so that the camera lens is pointing upward. Check the direction which the lens tilt to.
- If the lens is tilt to one side, then the camera is that side heavy, move the slide arm ③ to the opposite direction, until the camera is steady pointing upward.
- Tighten the slide arm lock knob ② while holding the camera.

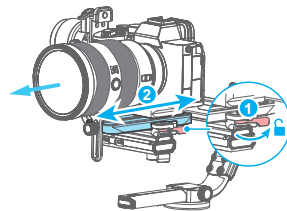


EN

4.1.2 Balancing depth for the tilt axis

- Rotate the tilt axis so that the camera lens is pointing forward. Check the direction which the lens tilt to.
- If the lens is tilt to one side, then the camera is that side heavy, unlock the quick release plate safety lock ① and the move the quick release plate to the opposite direction, until the camera is steady pointing forward.
- Lock the quick release plate safety lock ① while holding the camera.

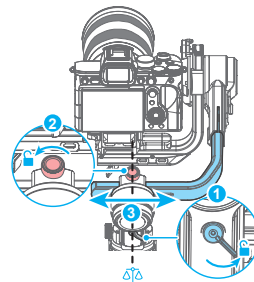
The tilt axis is balanced when the camera is steady while tilted up or down by 45°.



4.2 Balancing the roll axis

- Toggle the roll lock ① levers to the unlocked position, check the direction which the camera tilt to.
- If the camera is tilt to one side, then the camera is that side heavy, loosen the cross arm lock knob ② and the move the cross arm ③ to the opposite direction, until the camera can stay still and horizontal to the ground.
- Tighten the cross arm lock knob ②.

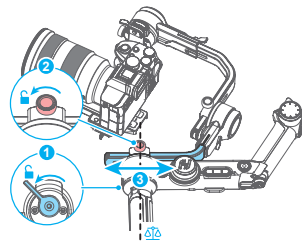
The roll axis is balanced when the camera can stay still and horizontal to the ground.



4.3 Balancing the pan axis

- Toggle the pan lock ① levers to the unlocked position. Hold the tripod, and tilt the gimbal forward until it horizontal to the ground.
- If the camera is tilt to one side, then the camera is that side heavy, loosen the vertical arm lock knob ② and the move the vertical arm ③ to the opposite direction, until the camera can stay still and horizontal to the ground.
- Tighten the vertical arm lock knob ②.

The pan axis is balanced when the camera can stay still and horizontal to the ground.



5. Operation

5.1 Power ON/ OFF

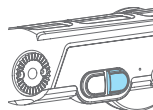
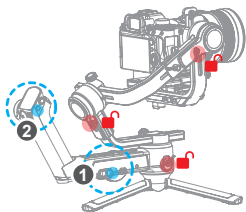
Before power on the gimbal, make sure you have balanced gimbal, and toggle the tilt lock, roll lock, and pan lock levers to the unlocked position.

If you haven't unlocked all the 3 axes, gimbal will enter sleep mode to protect itself. Please single tap power button to wake up gimbal after unlocked all the 3 axes.

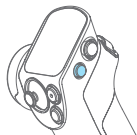
! Please set motor power first after power on gimbal for the first time or after change a new camera/lens.

Long press the power button and release it when you hear the beep sound to power on/ off.

When the remote control handle is installed on gimbal, both two power buttons can power on the whole combination. When the handle is detached, please power on each part separately.



① Gimbal power button



② Handle power button

5.2 Button operation



Gimbal power button

Long press:
Power on/off the whole combination (Remote control handle installed)

Power on/off the gimbal (Remote control handle detached)

Single tap: Wake up
Double tap: Enter sleep mode



Gimbal mode button

Single tap: Pan follow/Lock mode (Switch in turn)

Double tap: PTF
Triple tap: FPV



Handle power button

Long press:
Power on/off the whole combination (Remote control handle installed)

Power on/off the handle (Remote control handle detached)

Single tap: Wake up
Double tap: Enter sleep mode



Handle mode button

Single tap: Pan follow/Lock mode (Switch in turn)

Double tap: PTF
Triple tap: FPV

Long press: Motion sensing mode (Release to exit)

Motion sensing mode is using while the handle is detached



Trigger button

Double tap: Recenter
Triple tap: Enter/Exit selfie mode (Pan axis turn 180°)
Press and hold: PTF (Release to exit)

You can custom the function via APP.



Joystick

Push: Control the movement of the tilt and pan axes.



Shutter button*

Press half way: Focus
Single tap (Fully): Start/Stop recording
Long press (Fully): Take photo



Focusing wheel*

Turn: Control electronic focusing
The camera must support this function.



A/B/C button

Long press: Mark the current position as A/B/C
Single tap: Return to the position A/B/C that you have marked.

Can be used to mark axes/focus position.



Home button

Single tap:
(1) Lock/Unlock screen (In home page)
(2) Return to home page (In other pages)



Multifunction knob (Main knob)

Turn: (1) Control the movement of the roll, tilt and pan axes.
(2) Control focus.
(3) Control focus **motor 1**.
(4) Adjust the parameter in the touch screen.

Set current control option as option (1) or (2) or (3) through long press the knob function switching button or swipe up in home page.



Multifunction knob (Handle knob)

Turn: (1) Control the movement of the roll, tilt and pan axes.
(2) Control focus.
(3) Control focus **motor 2**.
(4) Adjust the parameter in the touch screen.

Set current control option as option (1) or (2) or (3) through swipe up in home page.



Knob function switching button

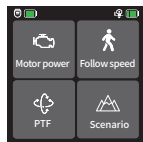
Single tap: Switch the control object while the multifunction knob (main knob) controlling the movement of the 3 axes (Tilt/Pan/Roll)

Long press: Switch the control options of multifunction knob (main knob) in turn (The movement of the 3 axes/Electronic focus/Focus motor 1)

*Need to connect with camera. Refer to the camera compatibility list on <https://www.feiyu-tech.com/feiyu-scorp-pro/>

More button function introductions please refer to the user manual.

5.3 Touch screen operation



Home page



Motor power

Use auto tune to adjust the motor power automatically, or adjust motor power for each axis manually.



Follow speed

User can select different gimbal follow speed profiles, or custom follow speed.



Follow mode

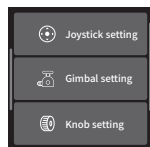
Select gimbal follow mode.

- PF:** Pan follow, only the pan axis follows the movement of user's hand.
- PTF:** Pan and tilt follow, where both the pan and tilt axes follow the movement of user's hand, but roll axis does not.
- FPV:** Pan, tilt and roll follow, where all 3 axes follow the movement of user's hand.
- Lock:** All 3 axes do not follow the movement of user's hand, gimbal keeps the direction of the camera fixed.
- FFW:** Flash follow, where all 3 axes follow the movement of user's hand in high follow speed.



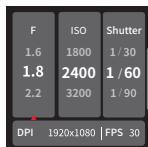
Scenario

Select usage scenario.



Swipe from right to left

Joystick, gimbal, knob and more settings



Swipe from left to right

Shooting parameters settings



Swipe up

Multifunction knob settings

- **Return to previous menu:** Swipe to right

6. Specification

Product name	Feiyu SCORP Pro 3-Axis Camera Handheld Stabilizer
Product model	Feiyu F4
Max. Tilt Range	340°
Max. Roll Range	340°
Max. Pan Range	360°
Weight	About 2100g
Payload Capability	About 4800g (Well-balanced)
Battery life	12 Hours
Battery	2500mAh
Operating Voltage	13V-16.8V
Compatible Cameras	SONY, Canon, Nikon, Panasonic camera etc (Please download the detailed manual for the specific compatible camera and lens)

Accessories



USB 2.0 to Type-C
× 1



Type-C to Micro(A03)
× 1



Type-C to Mini (B02)
× 1



Type-C to Type-C (C02)
× 1



Type-C to TRS2.5 (T02)
× 1



Type-C to Multi
Sony shutter cable
× 1



Type-C to 2.5mm Panasonic
shutter cable (DC2.5mm)
× 1



Tripod
× 1



Quick release plate
× 1



Camera backing base
×1



Lens holder
×1



Lens holder screw
×1



Camera fixed screw
×3



3/8- 1/4 inch thread insert
(The thread insert is factory
mounted on tripod)
×1