

# STONE COUNTERTOP

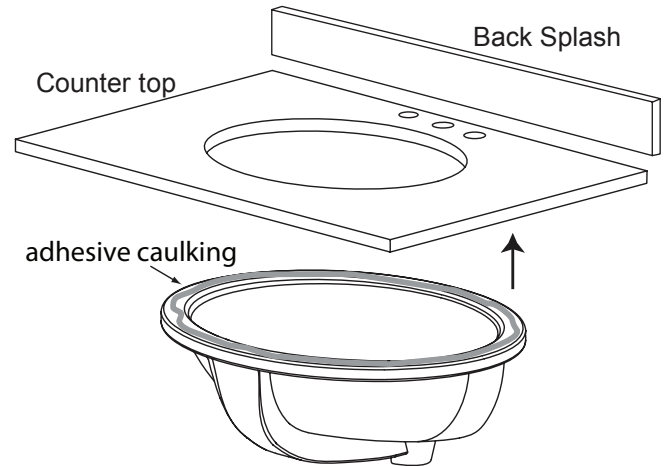
# RONBOW

Model : 301125 301143 301173  
301131 301149  
301137 301161

**Step 1 :** Apply adhesive caulking around the topside of rim near the edge, Carefully raise sink in place, align, and press firmly

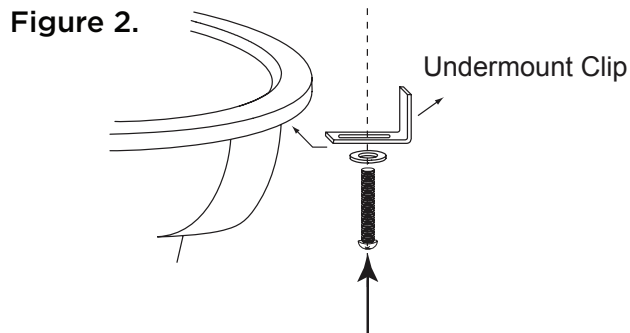
**See Figure 1.**

**Figure 1.**

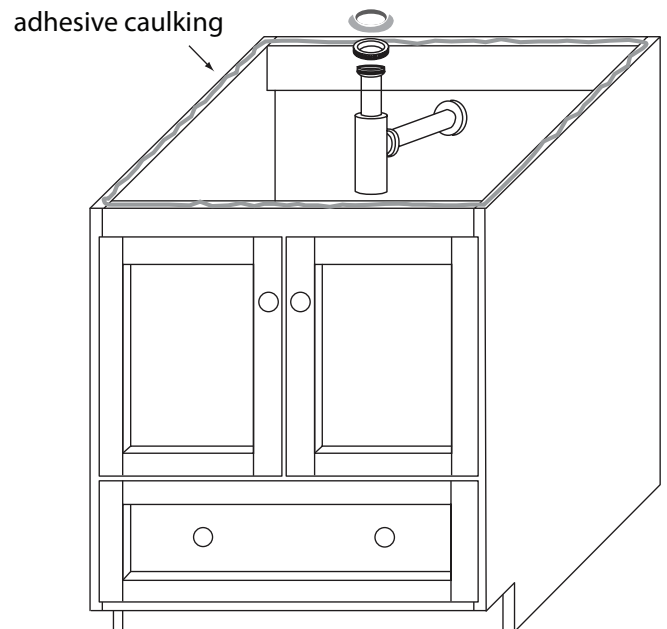


**Step 2 :** Attach 4 undermount-clips to hold lavatory in place

**See Figure 2.**



**Figure 3.**



**Step 3 :** Secure top & back splash to cabinet by using adhesive caulk

**See Figure 3.**