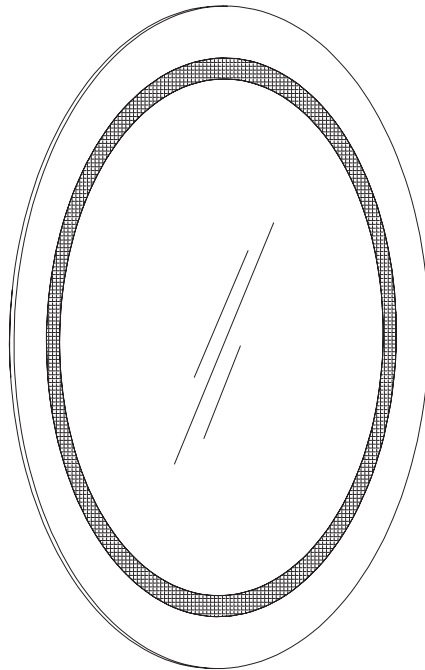


RONBOW



INSTALLATION AND CARE GUIDE

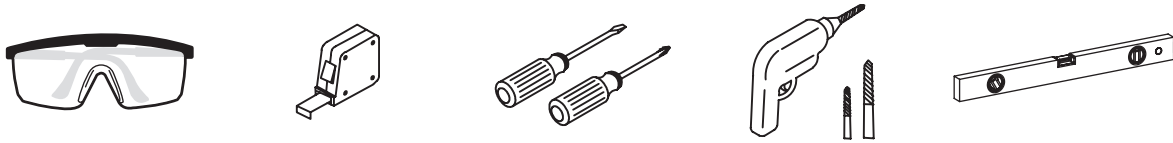
RADIANCE LED MIRROR

602922-SA

602936-SA

Model : 602922-SA
602936-SA

Tools Required



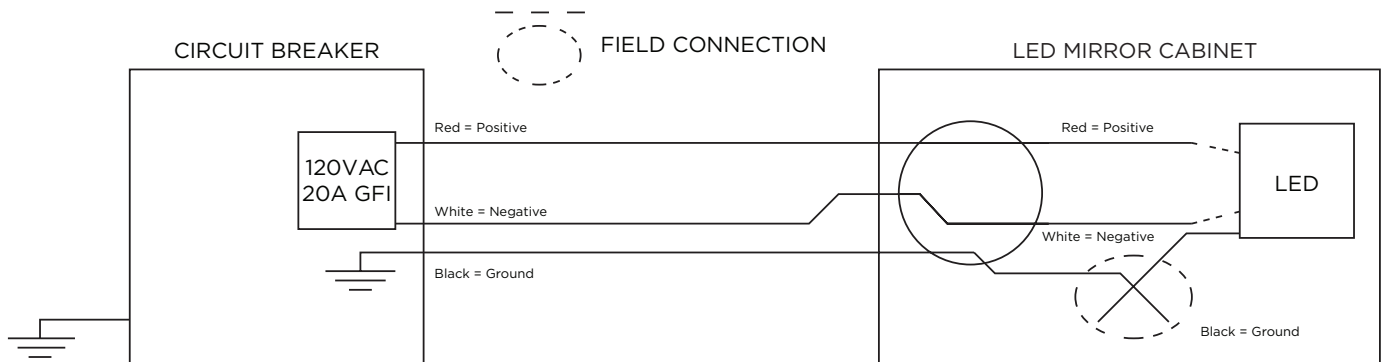
NOTE : ALL WIRING SHOULD BE DONE BY A QUALIFIED LICENCED ELECTRICIAN.

WARNING: To reduce the risk of electrical shock, shut off power before wiring the mirror

CAUTION: Requires 120V 20AMP circuit.

CAUTION: The LED mirror must be wired to a 20AMP GFI (ground fault interrupter)circuit breaker when used in bathrooms and all other locations required by the national electric code.

Wiring Diagram :



MATERIALS INCLUDED

602922-SA

- 1 round LED mirror
- 4 anchor
- 4 wood screws

602936-SA

- 1 round LED mirror
- 4 wood screws

MATERIALS NEEDED

For 602936-SA Only

- 2 2 x 4 Cut to size

Model : 602922-SA
602936-SA

PRE-INSTALLATION - For 602922

Step 1: Determine the ideal location of your new mirror. Measure and mark the center to center width and height of the mounting plate on the mirror.

Open a small hole near the mounting location for wire to connect with your home electricity.

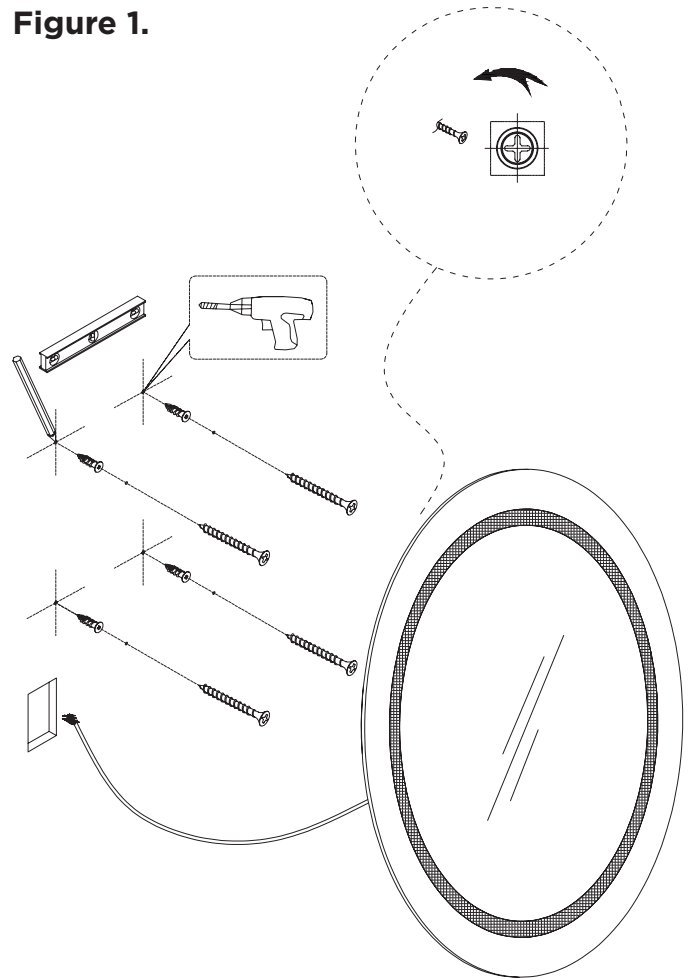
See Figure 1.

Step 2: Drill the 5/16" pilot holes in the wall with 1-9/16" depth and place the anchors inside the holes.

NOTE: anchors are only required when mounting to the drywall and studs are not available.

Open up a hole on the wall to allow the wire to connect to the mirror.

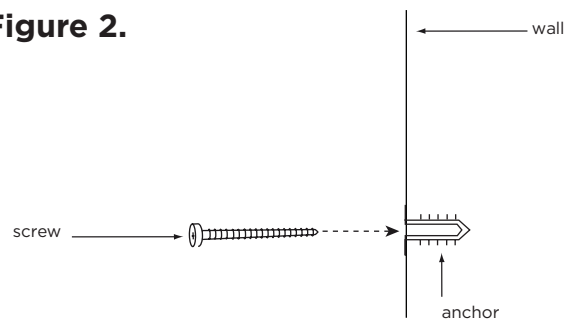
Figure 1.



Step 3: Install the screw to the anchor. Leave at least 3/16" of screw head protruding out from the wall.

See Figure 2.

Figure 2.



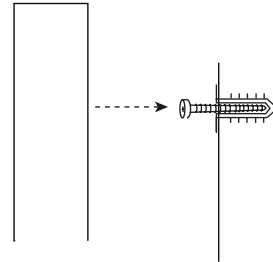
Model : 602922-SA
602936-SA

INSTALLING THE MIRROR- For 602922

Step 4: Line up the key-holes behind the mirror, and let the mirror rest onto the screws.

See Figure 3.

Figure 3.

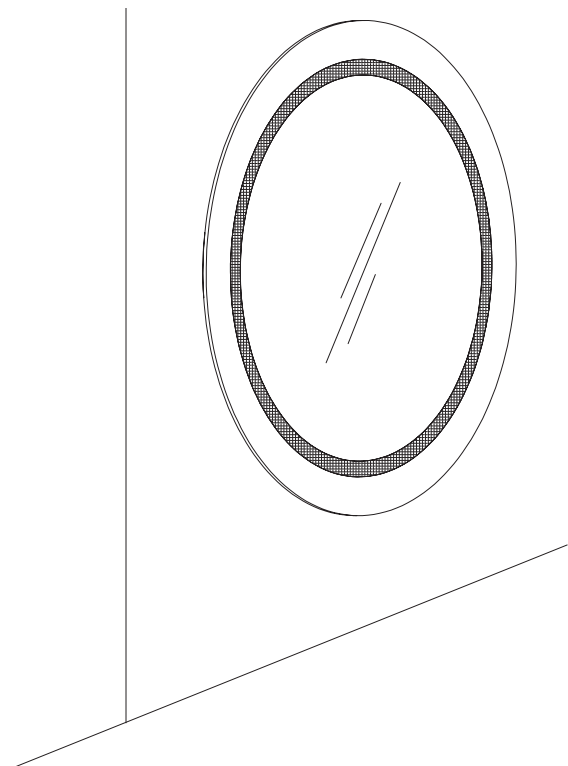


Step 5: Connect the home electricity wire to the mirror then connect the wire of the mirror to the electricity source of your home.

Then line up the key-holes behind the mirror and let the mirror rest onto the screws.

See Figure 4.

Figure 4.



Model : 602922-SA
602936-SA

PRE-INSTALLATION - For 602936-SA

Step 1: Determine the ideal location of your new mirror.

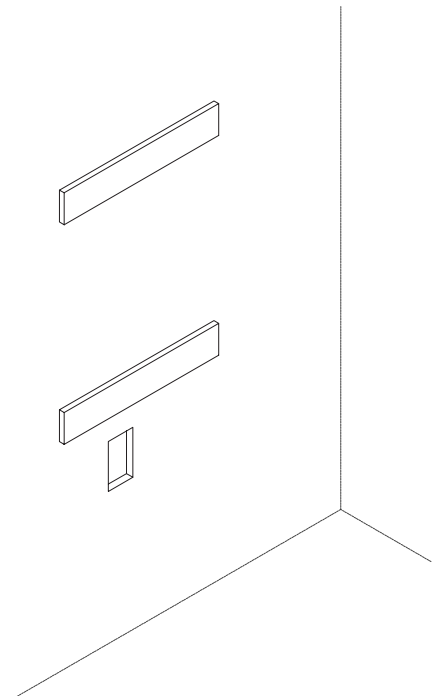
Measure the center to center width and height of the mounting plate on the mirror.

Use the height and width measurement to determine and install two 2x4 supporting brackets between studs.

Open a small hole near the mounting location for wire to connect with your home electricity.

See Figure 5.

Figure 5.

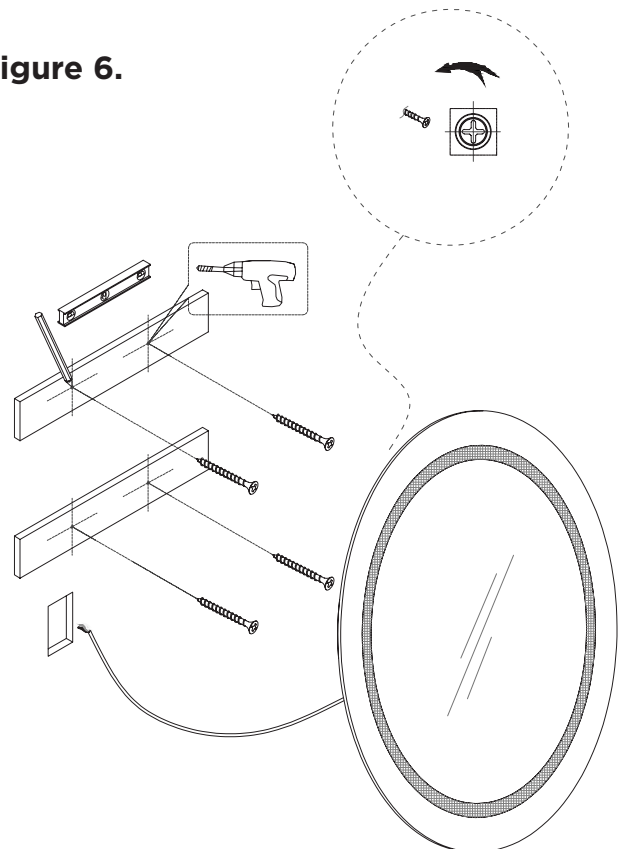


Step 2: Patch up the wall and mark the center to center width and height of the mounting plate on the mirror on the wall.

Install the screw to the stud. Leave at least 3/16" of screw head protruding out from the wall.

See Figure 6.

Figure 6.



Step 3: Then line up the key-holes behind the mirror and let the mirror rest onto the screws.