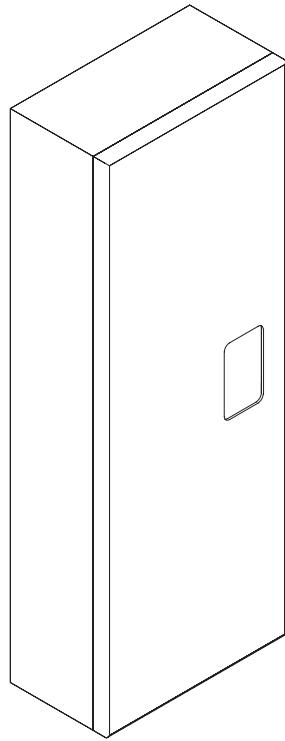


RAINBOW



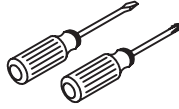
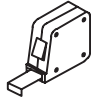
INSTALLATION AND CARE GUIDE

DOUGLAS WALL CABINET

687411-FINISH

Model : 687411-FINISH

Tools Required



MATERIALS INCLUDED

- 1 wood cabinet
- 1 set velcro piece
- 2 mounting hardware
- 2 wood screws

MATERIALS NEEDED

- 1 2 X 4 supprt beam

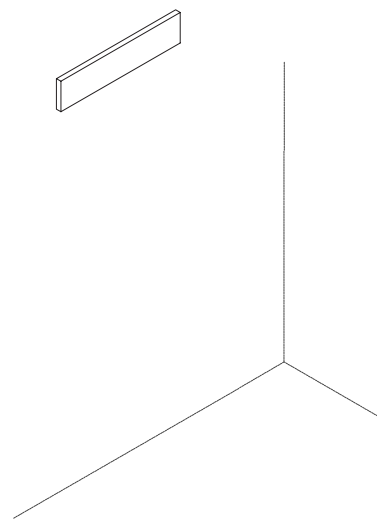
Model : 687411-FINISH

PRE-INSTALLATION

Step 1: Cut the 2 x 4 support beam to size and place behind the wall for extra support of your new cabinet

See Figure 1.

Figure 1.



INSTALLING THE CABINET

Step 2: Mark the location of the mounting hardware with a distance between 9 to 9 1/2".

Then screw on the mounting hardware gently to allow the mounting hardware to rotate. Do not overtighten.

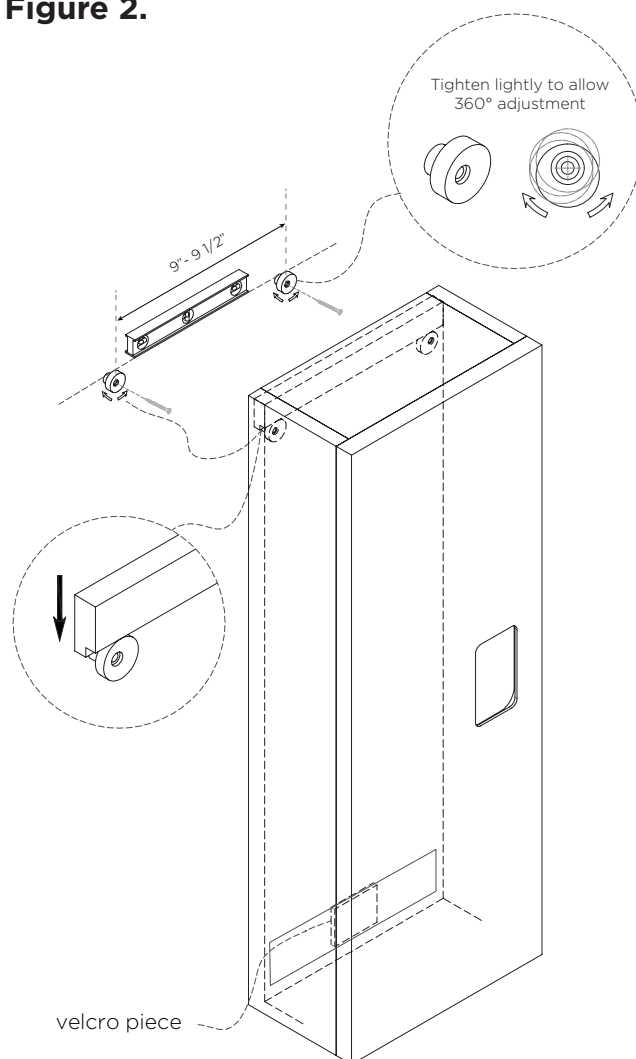
Place the leveler on top of the mounting hardware and rotate until it reaches a leveled position.

Then tighten the mounting hardware.

Step 3: Prior hanging the cabinet, remove the velcro adhesive film on the cabinet and gently hang and press the cabinet to the wall to complete the installation.

See Figure 2.

Figure 2.



Model : 687411-FINISH

ADJUST DOOR HINGE**Side to Side**

Locate the screw nearest the hinge cup and rotate clockwise or counter-clockwise to move the door from side to side.

See Figure 3.**Front to Back**

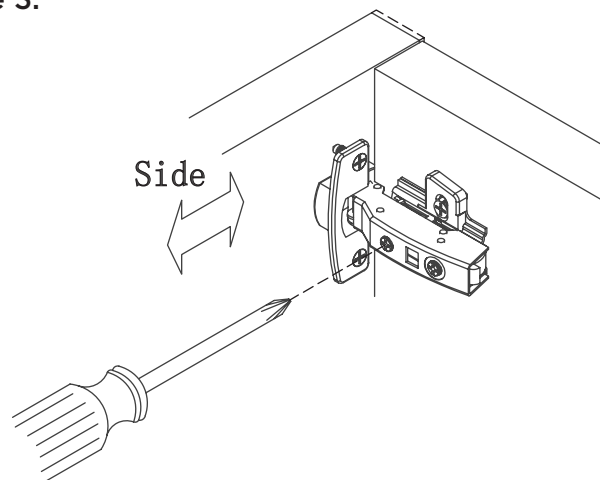
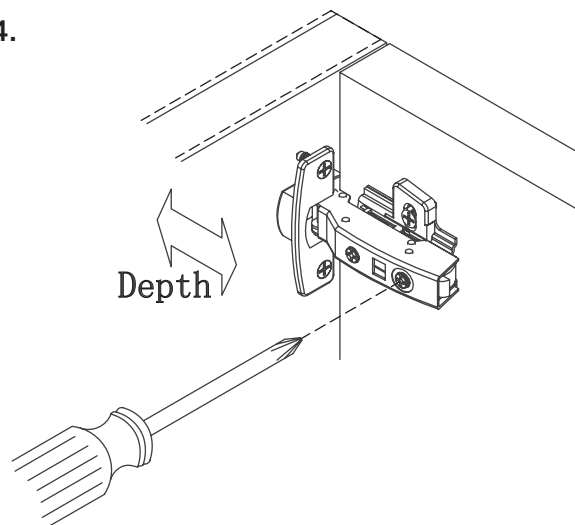
Locate the screw furthest away from the hinge cup and turn the screw clockwise or counter-clockwise to move the door from front to back.

See Figure 4.**Top to Bottom**

Locate the screw pictured in Figure 6. Turn the screw clockwise or counter-clockwise to move the door from top to bottom.

See Figure 5.

NOTE: When adjusting the door hinges keep in mind to adjust the other hinges.

Figure 3.**Figure 4.****Figure 5.**