

Model : E083630

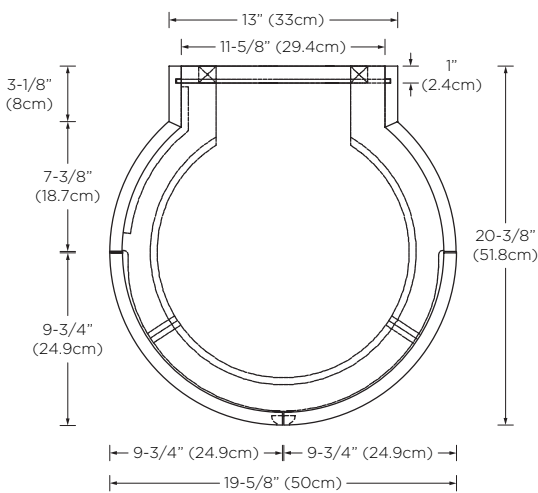
Designed By: **JOAN LAO** | SPAIN

- Features :**
- 2 soft-close door with Grass brand hardware
 - Door finger pulls
 - 1 wood shelf
 - Fully finished interiors
 - Solid wood construction (no MDF)
 - Multi-step polyurethane finish resists moisture and scratches
 - Wall hung or floor standing with optional stainless steel leg base
 - Wall hung hardware included
 - U.S. PATENT PENDING

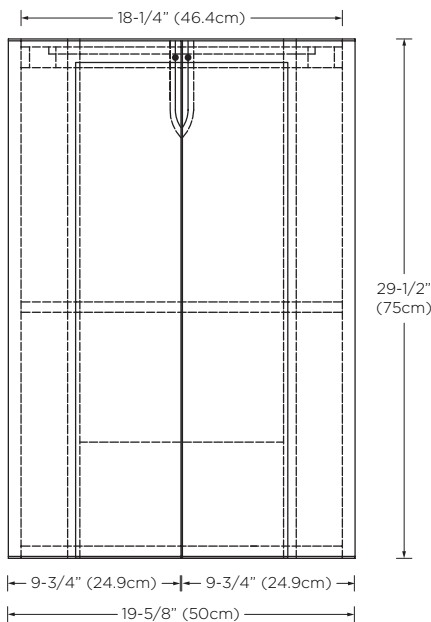
All Ronbow cabinets are made of solid hardwood or hardwood plywood and meet strict CARB II Standards. No particle board or Micro-Density Fiberboard (MDF) are used.

Available Finish : Drift Gray (E58)
Ebo Gray (E60)

Top



Front



Side

