

**Model :** E097042

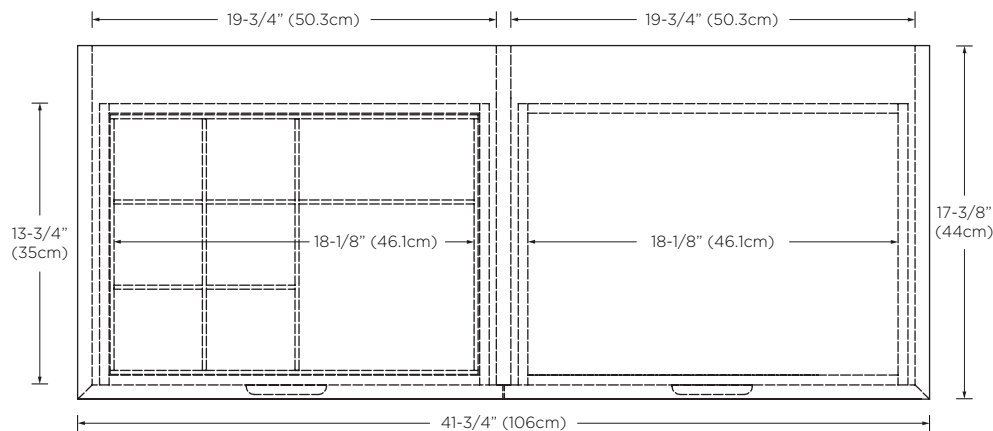
Designed By: **PININFARINA** | ITALY

- Features :**
- 2 full-extension, soft-close drawers with high-end European brand hardware
  - Drawer finger pulls on bottom
  - Dovetail drawer construction
  - Clear acrylic drawer organizer
  - Fully finished interiors
  - Solid wood construction (no MDF)
  - Multi-step polyurethane finish resists moisture and scratches
  - Wall hung hardware included

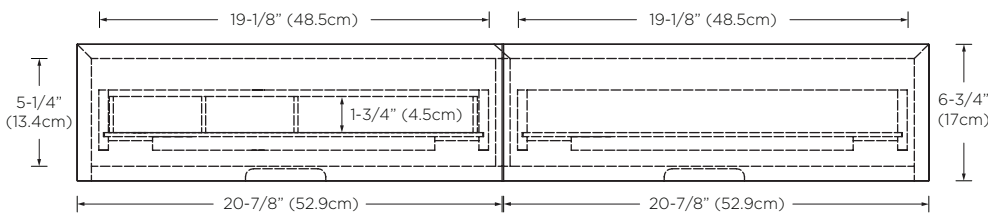
All Ronbow cabinets are made of solid hardwood or hardwood plywood and meet strict CARB II Standards. No particle board or Micro-Density Fiberboard (MDF) are used.

**Available Finish :** Chene (E07)  
Graphite (E19)

## Top



## Front



## Sides

