

Model : E097014

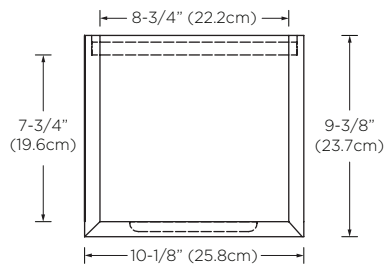
Designed By: PININFARINA | ITALY

- Features :**
- 1 soft-close door with high-end European brand hardware
 - 3 fixed wood shelves
 - Door finger pull
 - Door opens from right to left
 - Can be inverted so door opens from left to right
 - Fully finished interiors
 - Solid wood construction (no MDF)
 - Multi-step polyurethane finish resists moisture and scratches
 - Wall hung hardware included

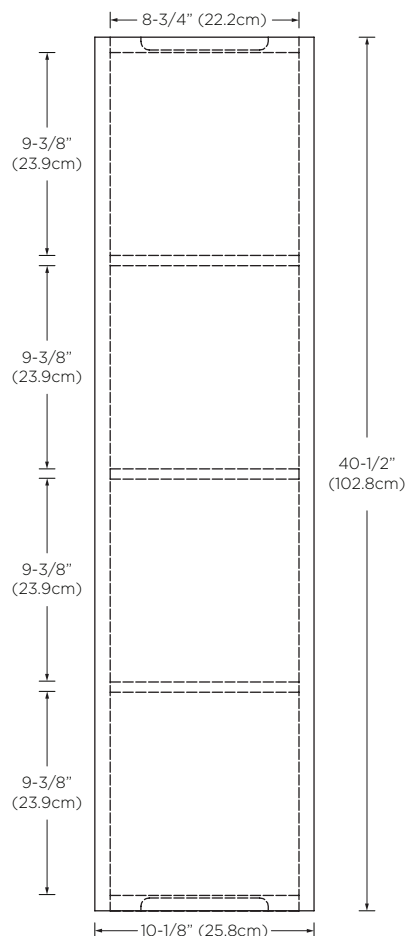
All Ronbow cabinets are made of solid hardwood or hardwood plywood and meet strict CARB II Standards. No particle board or Micro-Density Fiberboard (MDF) are used.

Available Finish : Chene (E07)
Graphite (E19)

Top



Front



Side

