

**Model :** E072435

Designed By: **ALEXANDER ZHUKOVSKY** | RUSSIA

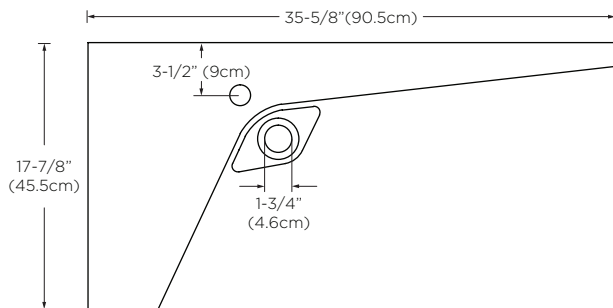
**Features :** No overflow  
Matching ceramic drain cover plate included  
Works with drain: 703611-PC  
Drain sold separately  
U.S. PATENT D757,914

**Available Finish :** White (WH)

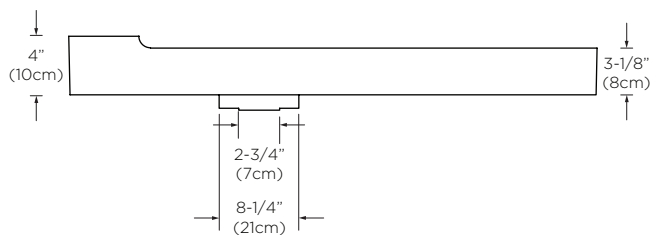
**Codes/Standards Applicable :** Specified model meets or exceeds the following:

- ASME A112.19.2
- IAPMO/cUPC
- CSA B45
- CMR 248

## Top



## Front



## Side

