

Model : E032439

Designed By: **MATTEO THUN & ANTONIO RODRIGUEZ | ITALY**

Features : No overflow

Works with drains: 700103, 700204, 702503, 703606-WH, 703703-WH

Note: Drain 703606-WH and 703703-WH comes with attached matching ceramic cover

Drain sold separately

U.S PATENT PENDING

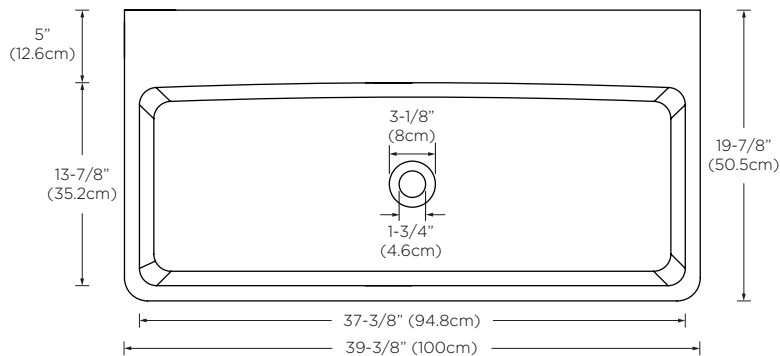
Available Finish : White (WH)

ADA

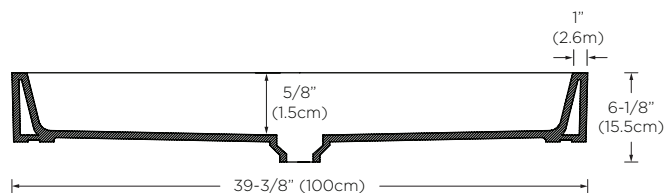
Codes/Standards Applicable : Specified model meets or exceeds the following:

- ASME A112.19.2
- IAPMO/cUPC
- CSA B45
- CMR 248

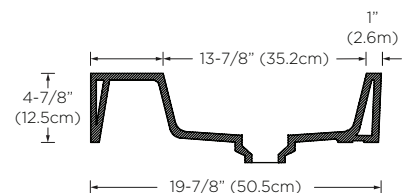
Top



Front



Side



Model : E032439-1

Designed By: **MATTEO THUN & ANTONIO RODRIGUEZ | ITALY**

Features : No overflow

Works with drains: 700103, 700204, 702503, 703606-WH, 703703-WH

Note: Drain 703606-WH and 703703-WH comes with attached matching ceramic cover

Drain sold separately

U.S PATENT PENDING

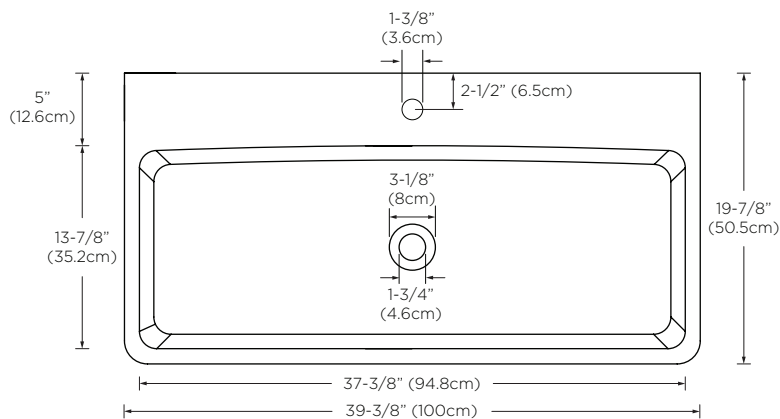
Available Finish : White (WH)

ADA

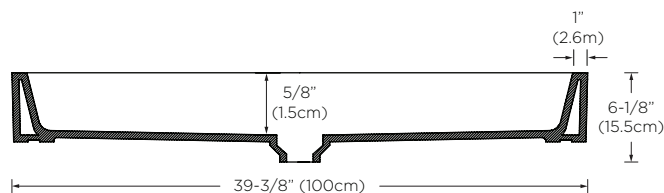
Codes/Standards Applicable : Specified model meets or exceeds the following:

- ASME A112.19.2
- IAPMO/cUPC
- CSA B45
- CMR 248

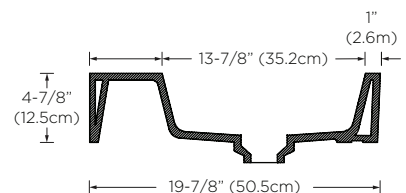
Top



Front



Side



Model : E032439-8

Designed By: **MATTEO THUN & ANTONIO RODRIGUEZ | ITALY**

Features : No overflow

Works with drains: 700103, 700204, 702503, 703606-WH, 703703-WH

Note: Drain 703606-WH and 703703-WH comes with attached matching ceramic cover

Drain sold separately

U.S PATENT PENDING

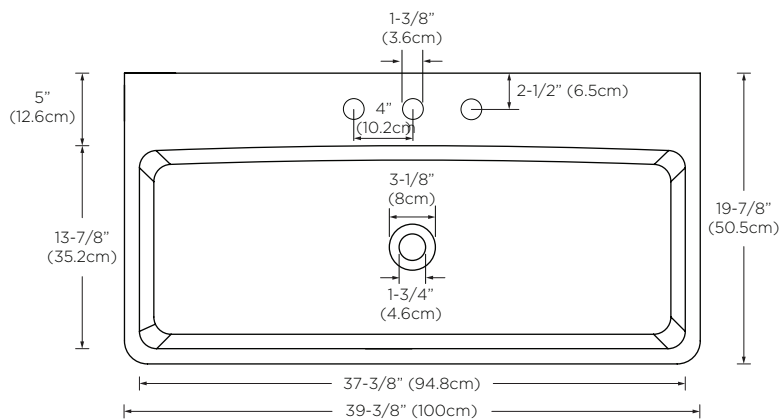
Available Finish : White (WH)

ADA

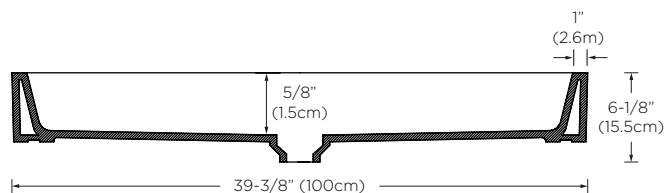
Codes/Standards Applicable : Specified model meets or exceeds the following:

- ASME A112.19.2
- IAPMO/cUPC
- CSA B45
- CMR 248

Top



Front



Side

