

Model : E036117

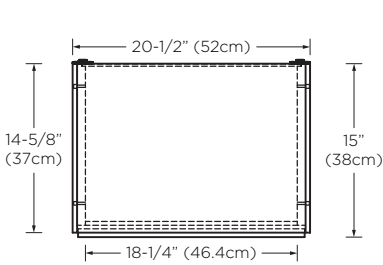
Designed By: **MATTEO THUN & ANTONIO RODRIGUEZ** | ITALY

- Features :**
- 4 fixed wood shelves
 - 1 soft-close door with Hettich brand hardware
 - Fully finished interiors
 - Push-open door opens from left to right
 - Solid wood construction (no MDF)
 - Multi-step polyurethane finish resists moisture and scratches
 - Leg levelers included

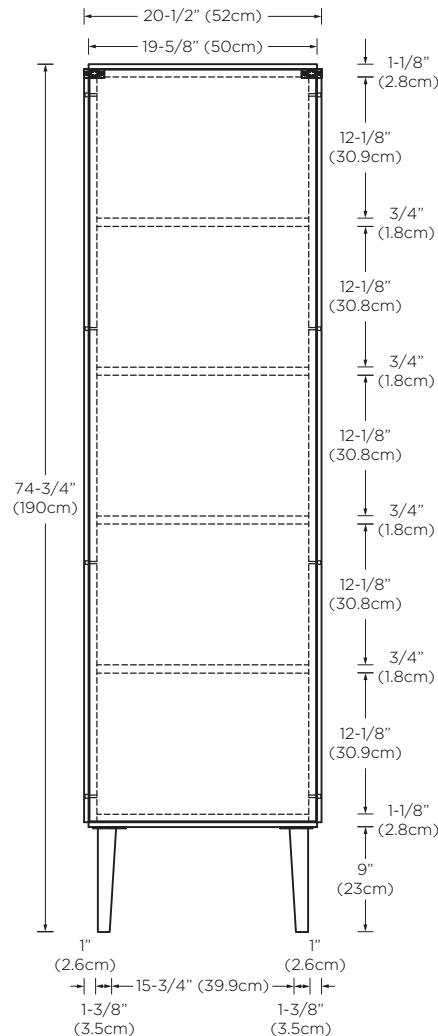
All Ronbow cabinets are made of solid hardwood or hardwood plywood and meet strict CARB II Standards. No particle board or Micro-Density Fiberboard (MDF) are used.

- Available Finish :**
- American Walnut with Glossy Black legs (E56)
 - American Walnut with Sabbia Beige drawer fronts and sides with Glossy Black legs (E90)

Top



Front



Side

