

SIGNATURE SERIES

by RONBOW

INSTALLATION AND CARE GUIDE

UNITY VANITY

E042031

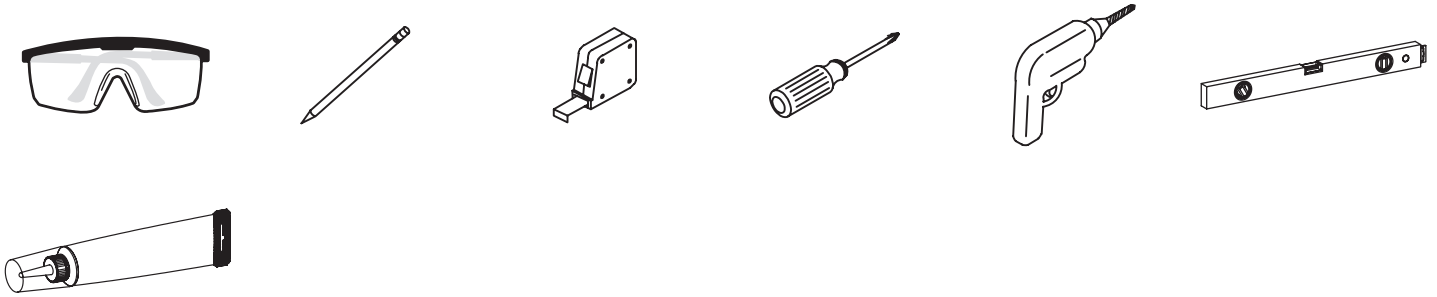
E042047

Model : E042031
E042047

Designed By: KURZ KURZ DESIGN | GERMANY

PRE-INSTALLATION

Tools Required



Materials Included

- 1 pair of wall brackets
- 6 hex bolts
- 6 bolt caps
- 1 allen wrench
- 10 hex screws
- 10 short screws

Materials Required

- 1 2x6 beam cut to size

Model : E042031
E042047

Designed By: KURZ KURZ DESIGN | GERMANY

INSTALLATION - WALL MOUNT

Step 1: Determine the ideal location of your new vanity.

NOTE: the location needs at least two studs. Front notch the studs and install the 2x6 horizontal beam 30-3/4" from the floor.

Step 2: Install the wall brackets to the wall and fasten with the hex bolts.

Place the metal caps over the bolt heads.

See Figure 1.

Step 3: Cut a rough opening for an electrical box to hard wire to the house.

Step 4: Remove the drawer.

Refer to page 5.

Step 5: Slide the vanity over the wall brackets and secure the brackets to the vanity with short screws.

See Figure 2.

Step 6: It is highly recommended to attach the vanity to the wall using wood screws to prevent vanity from shifting over time.

Step 7: Re-install the drawer.

Refer to page 5.

Figure 1.

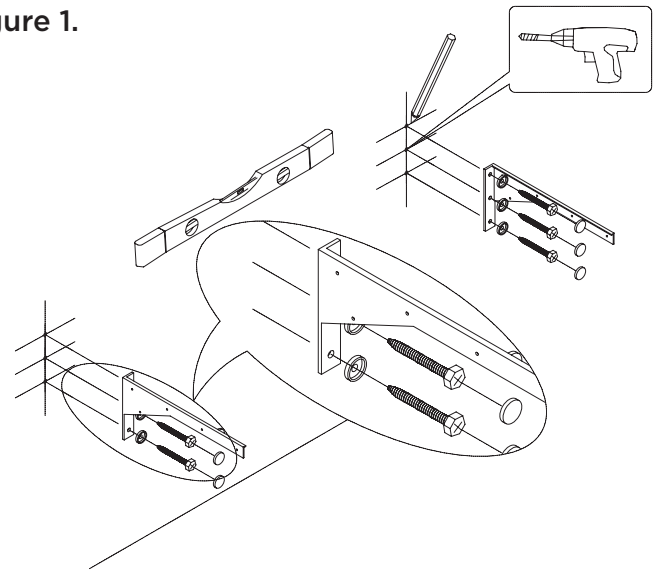
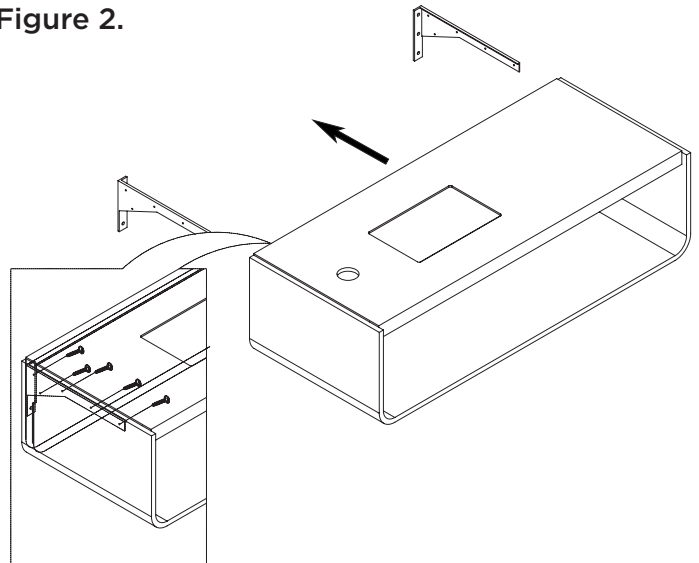


Figure 2.



Model : E042031
E042047

Designed By: KURZ KURZ DESIGN | GERMANY

INSTALLATION - FREE-STANDING

Step 1: Determine the ideal location of your new vanity.

NOTE: the location needs at least two studs. Front notch the studs and install the 2x6 horizontal beam 30-3/4" from the floor.

Step 2: Remove the drawer.

Refer to page 5.

Step 3: Install the legs to the vanity.

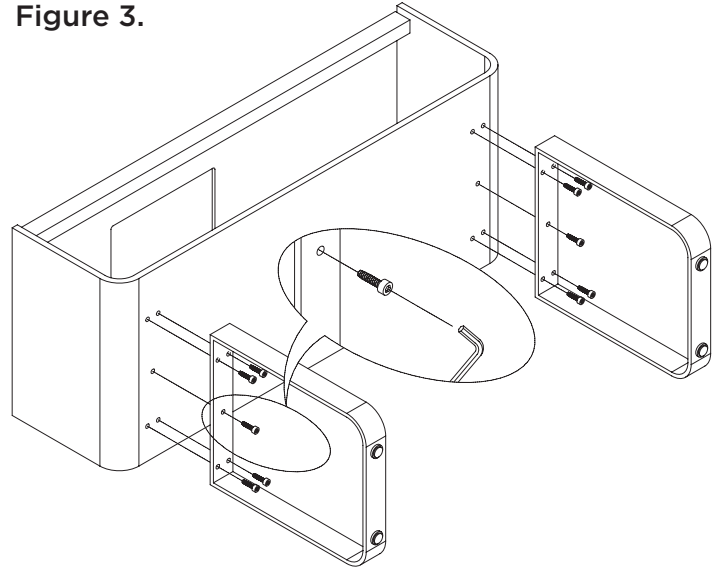
See Figure 3.

Step 4: Secure the vanity to the horizontal beam using wood screws. This will add extra stability for the vanity.

Step 5: Re-install the drawer.

Refer to page 5.

Figure 3.



Model : E042031
E042047

Designed By: KURZ KURZ DESIGN | GERMANY

INSTALLING THE SINKTOP

Step 1: Clean the top surface of the vanity with a clean damp cloth.

Apply a thin bead of silicone around the top surface.

See Figure 4.

Step 2: Place the sinktop on the vanity.

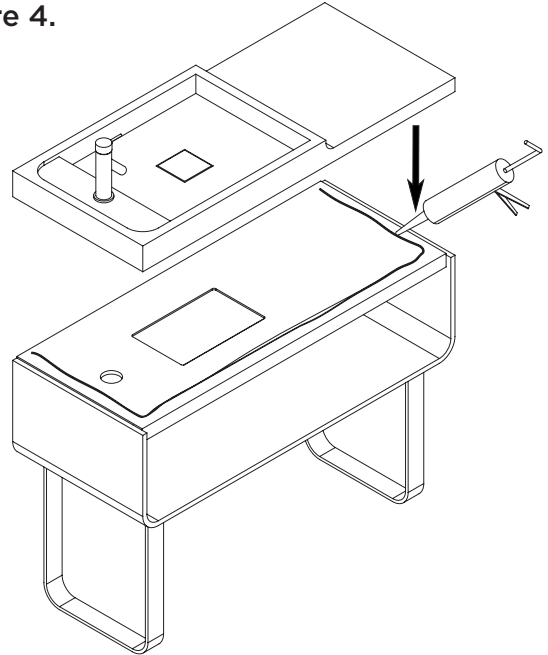
Clean any excess silicone immediately.

Follow the directions on the silicone to allow for ample drying time.

Step 3: To install the plumbing the drawers would need to be removed.

Refer to page 5 to remove / re-install the drawer.

Figure 4.



Model : E042031
E042047

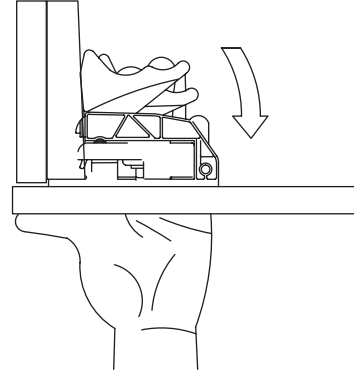
Designed By: KURZ KURZ DESIGN | GERMANY

REMOVE DRAWER

Step 1: Pull the release latches located underneath the drawer.

See Figure 5.

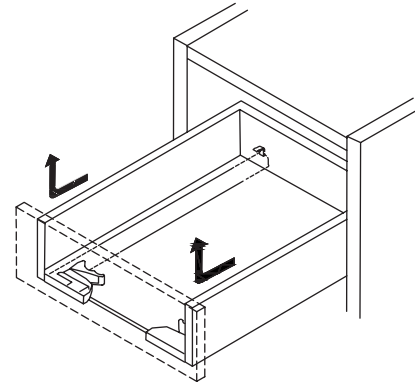
Figure 5.



Step 2: Slide and lift up the drawer box.

See Figure 6.

Figure 6.

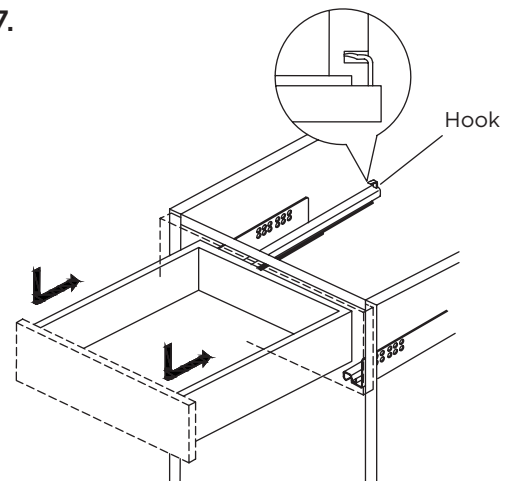


REINSTALL DRAWER

Step 1: Slide drawer box in until secured by rail hook.

See Figure 7.

Figure 7.



<https://youtu.be/4DdK3cj3sTU>

**Model : E042031
E042047**Designed By: **KURZ KURZ DESIGN | GERMANY**

PRODUCT CARE AND MAINTENANCE

The fine furniture finish of your new vanity, mirror or other bathroom accessories are designed to protect against normal home use. With proper care, your product will provide years of use and beauty in your home.

General Care Tips

- Test cleaning product on small, discrete area prior to applying to entire surface.
- Wipe surfaces frequently with dry, soft, non-abrasive and lint-free towel.
- Do not allow liquids and moisture to accumulate on the surface of products.
- For warranty information, please visit our website at www.ronbow.com or contact the Customer Service Department at (510) 713-1188.

Wood Surfaces

- If a spill occurs, clean and dry the surface immediately as liquid can soak through the surface and cause greater damage.
- Do not place in direct sunlight. Exposure to sunlight may affect the appearance of your vanity, and the finish will eventually crack.
- Keep away from direct sources of extreme temperatures as heat, cold or moisture from humidity. Color changes, or blemishes in the wood can occur if recommended care of is not met. Try to avoid these extremes.
- Most wood surfaces can be cleaned, or dusted, with any commercial wood cleaning product. For general cleaning, use a non-abrasive, or lint-free cloth while dusting along the wood grain to preserve the wood's characteristics.

Recommended Products

- Pledge Orange Oil, or similar
- Orange-Glo Wood Cleaner

DISCLAIMERS: Wood naturally ages, darkens and changes color over time due to several environmental conditions that may cause materials to vary from their original color and/or to warp, split or crack. These variations are considered to be the nature of the material in relation to their environmental exposure and may be significant over a long period of time. The effectiveness of cleaning Ronbow product is dependant on various factors that include sunlight, smoke, moisture, household cleaners and/or amount of cleaning product used over time. Ronbow cannot guarantee that the above Product Care & Maintenance methods will effectively clean your product.

RONBOW

40650 Encyclopedia Circle
Fremont, CA 94538

T 510.713.1188
F 510.657.9388

ronbow.eu | ronbow.com