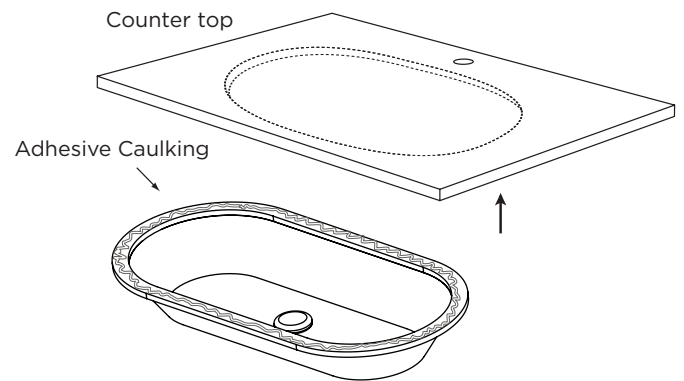


Model : E022201
E022212

Step 1: Cut countertop to fit under mount sink, reference sink template. Apply adhesive caulking around the topside of the rim ear the edge. Carefully raise sink in place, align, and press firmly.

See Figure 1.

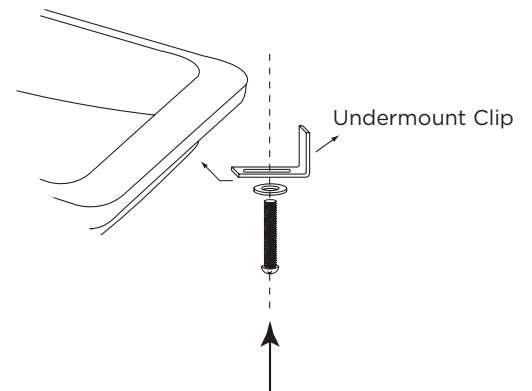
Figure 1.



Step 2: Attach 4 undermount-clips to hold lavatory in place

See Figure 2.

Figure 2.



Step 3: Secure top & back splash to cabinet by using adhesive caulk