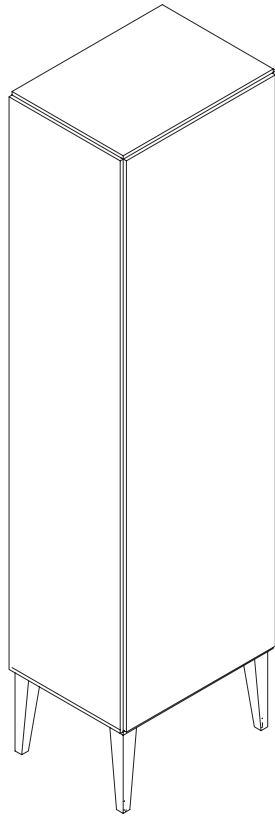


RONBOW SIGNATURE™



INSTALLATION AND CARE GUIDE

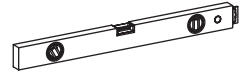
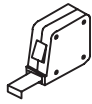
74" Tall Side Cabinet
E036117

Model : E036117

Designed By: MATTEO THUN & ANTONIO RODRIGUEZ | ITALY

PRE-INSTALLATION

Tools Required



Materials Included

2 sets of anti-tipping hardware

Includes

- 4 self-tap anchors
- 4 anchor screws
- 8 screws
- 4 base plates
- 2 zip ties
- 4 short screws
- 12 long screws
- 4 solid wood legs
- 4 leg levels

Model : E036117

Designed By: MATTEO THUN & ANTONIO RODRIGUEZ | ITALY

INSTALLATION

Step 1: Carefully lay down the cabinet on its back.

See Figure 1.

Step 2: Line up each leg and from the bottom of the leg fasten to the cabinet.

NOTE: Leg leveler needs to be removed before attaching the legs.

Step 3: Secure the L-bracket to the cabinet as show on right.

See Figure 1.

Step 4: Fasten each leg leveler to the bottom of each leg.

See Figure 2.

Step 5: Stand the cabinet upright.

Determine the ideal position of the side cabinet and push it against the wall.

Figure 1.

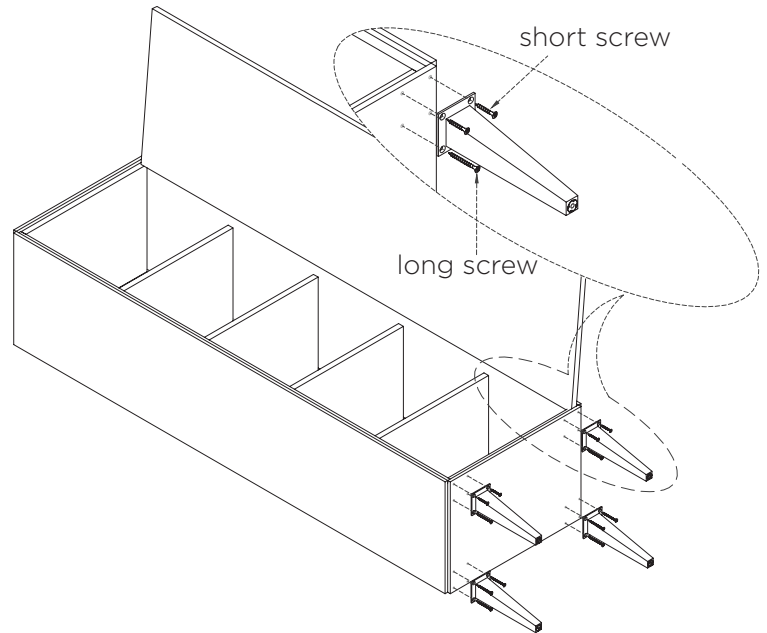
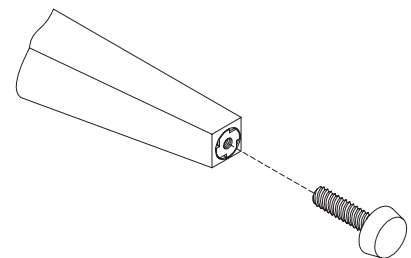


Figure 2.



Model : E036117

Designed By: MATTEO THUN & ANTONIO RODRIGUEZ | ITALY

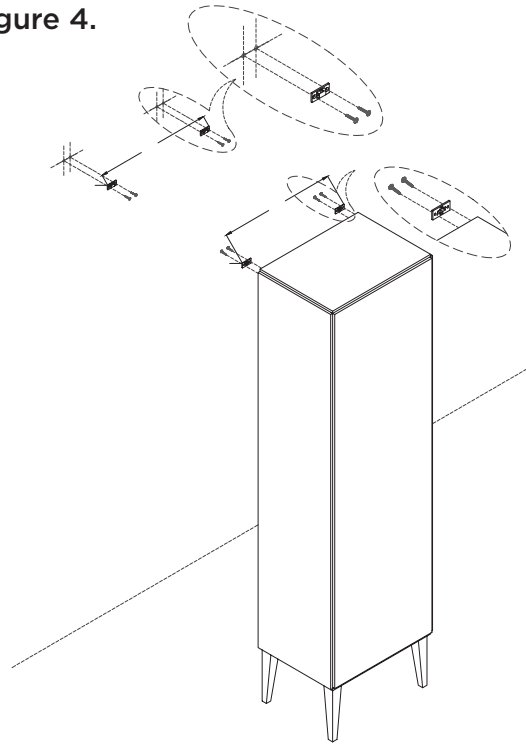
INSTALLING ANTI-TIPPING HARDWARE

Step 1: Determine the ideal position of the anti-tipping hardware. To keep the hardware from being visible from the side it is recommended that you install them no more than the vanity's width.

Mark the location of the holes and drill pilot holes for each screw .

See Figure 4.

Figure 4.

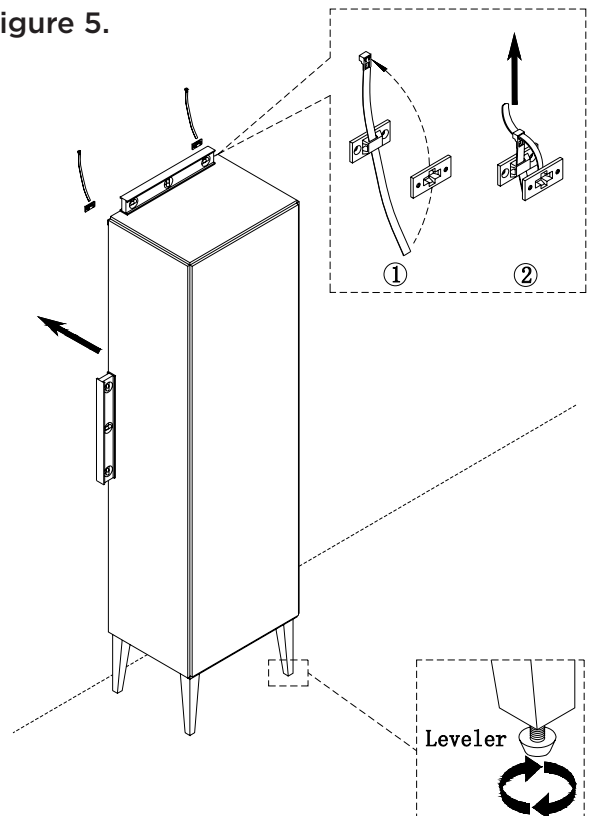


Step 2: Fasten each anti-tipping hardware with the screws provided.

Connect the hardware using the zip ties provided. Cut off any excess of the zip ties.

See Figure 5.

Figure 5.



Model : E036117

Designed By: MATTEO THUN & ANTONIO RODRIGUEZ | ITALY

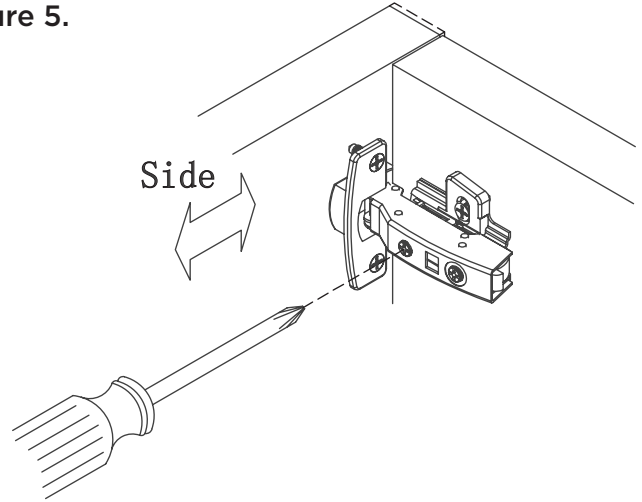
ADJUST DOOR HINGE

Side to Side

Locate the screw nearest the hinge cup and rotate clockwise or counter-clockwise to move the door from side to side.

See Figure 5.

Figure 5.

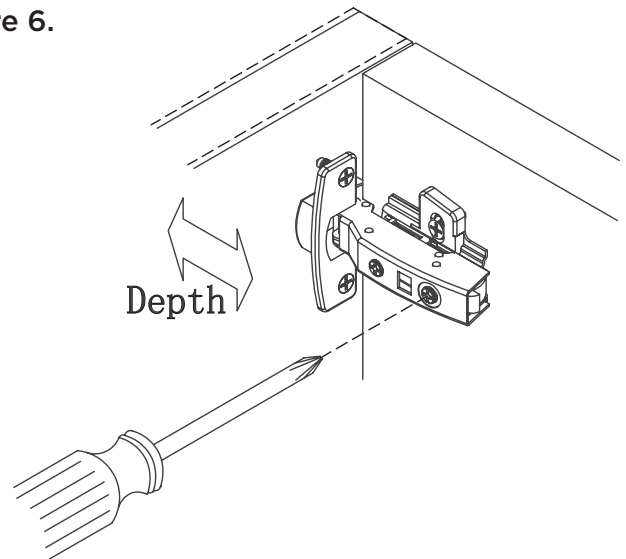


Front to Back

Locate the screw furthest away from the hinge cup and turn the screw clockwise or counter-clockwise to move the door from front to back.

See Figure 6.

Figure 6.

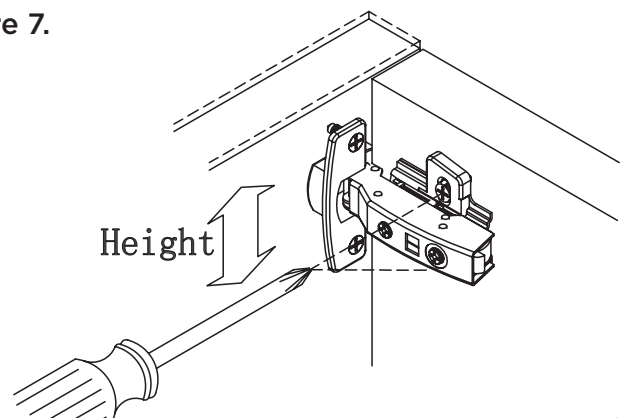


Top to Bottom

Locate the screw pictured in Figure 6. Turn the screw clockwise or counter-clockwise to move the door from top to bottom.

See Figure 7.

Figure 7.



NOTE: When adjusting the door hinges keep in mind to adjust the other hinges.

Model : E036117Designed By: **MATTEO THUN & ANTONIO RODRIGUEZ | ITALY**

PRODUCT CARE AND MAINTENANCE

The fine furniture finish of your new vanity, mirror or other bathroom accessories are designed to protect against normal home use. With proper care, your product will provide years of use and beauty in your home.

General Care Tips

- Test cleaning product on small, discrete area prior to applying to entire surface.
- Wipe surfaces frequently with dry, soft, non-abrasive and lint-free towel.
- Do not allow liquids and moisture to accumulate on the surface of products.
- For warranty information, please visit our website at www.ronbow.com or contact the Customer Service Department at (510) 713-1188.

Wood Surfaces

- If a spill occurs, clean and dry the surface immediately as liquid can soak through the surface and cause greater damage.
- Do not place in direct sunlight. Exposure to sunlight may affect the appearance of your vanity, and the finish will eventually crack.
- Keep away from direct sources of extreme temperatures as heat, cold or moisture from humidity. Color changes, or blemishes in the wood can occur if recommended care of is not met. Try to avoid these extremes.
- Most wood surfaces can be cleaned, or dusted, with any commercial wood cleaning product. For general cleaning, use a non-abrasive, or lint-free cloth while dusting along the wood grain to preserve the wood's characteristics.

Recommended Products

- Pledge Orange Oil, or similar
- Orange-Glo Wood Cleaner

DISCLAIMERS: Wood naturally ages, darkens and changes color over time due to several environmental conditions that may cause materials to vary from their original color and/or to warp, split or crack. These variations are considered to be the nature of the material in relation to their environmental exposure and may be significant over a long period of time. The effectiveness of cleaning Ronbow product is dependant on various factors that include sunlight, smoke, moisture, household cleaners and/or amount of cleaning product used over time. Ronbow cannot guarantee that the above Product Care & Maintenance methods will effectively clean your product.

RONBOW

40650 Encyclopedia Circle
Fremont, CA 94538

T 510.713.1188
F 510.657.9388

ronbow.eu | ronbow.com