

SIGNATURE SERIES

by RONBOW

INSTALLATION AND CARE GUIDE

MARCO TOWEL BAR

E058029

E058030

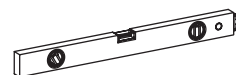
E058060

Model : E058029
E058030
E058060

Designed By: RAMON ESTEVE | SPAIN

PRE-INSTALLATION

Tools Required



Materials Included

- 2 hex screws
- 1 allen wrench

Model : E058029
E058030
E058060

Designed By: RAMON ESTEVE | SPAIN

INSTALLATION

Step 1: Position the towel bar between the front part of the metal frame.

See Figure 1.

NOTE: E058030 only works with the 63" metal frame. It can be placed either on left or right side.

When pairing with 30" Marco Drawer E056134 and 63" single trough sinktop E052463-1-A01, towel bar E058030 can only be placed on the left.

See Figure 2.

Step 2: The metal frame will have pre-drilled holes.

Secure the towel bar on each side using the hex screws and allen wrench provided.

Figure 1.

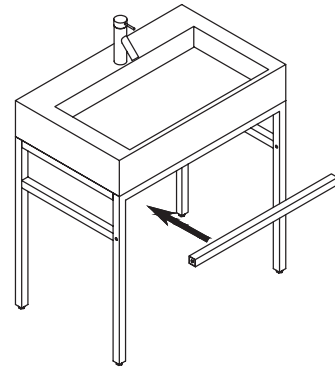
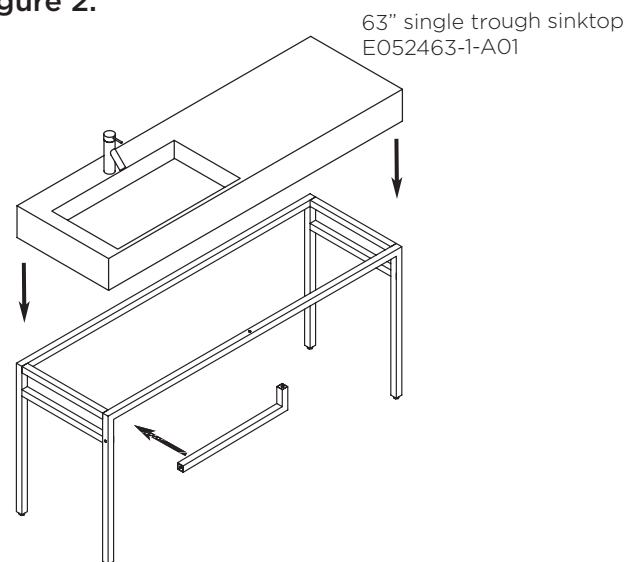


Figure 2.



Model : E058029
E058030
E058060

Designed By: RAMON ESTEVE | SPAIN

Step 3: Cover each hex screw with a plastic cap.

See Figure 3.

NOTE: If installing E058030, then use one hex screw from the side and other hex screw from the top.

Only the side hex screw will require a plastic cap.

See Figure 4.

Figure 3.

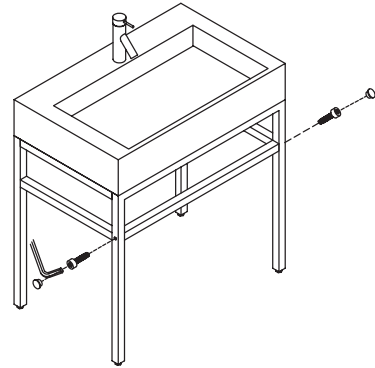
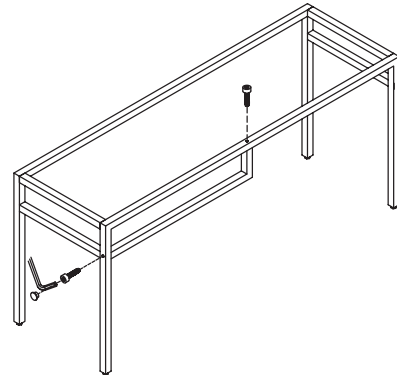


Figure 4.



Model : E058029
E058030
E058060

Designed By: RAMON ESTEVE | SPAIN

PRODUCT CARE AND MAINTENANCE

The fine furniture finish of your new vanity, mirror or other bathroom accessories are designed to protect against normal home use. With proper care, your product will provide years of use and beauty in your home.

General Care Tips

- Test cleaning product on small, discrete area prior to applying to entire surface.
- Wipe surfaces frequently with dry, soft, non-abrasive and lint-free towel.
- Do not allow liquids and moisture to accumulate on the surface of products.
- For warranty information, please visit our website at www.ronbow.com or contact the Customer Service Department at (510) 713-1188.

DISCLAIMERS: Effectiveness of cleaning your Ronbow products is dependent on various factors that include: water temperature, concentration and/or amounts of cleansers. Because of these many different conditions, Ronbow cannot guarantee that the above Product Care & Maintenance methods will effectively clean your product.

RONBOW

40650 Encyclopedia Circle
Fremont, CA 94538

T 510.713.1188
F 510.657.9388

ronbow.eu | ronbow.com