

# SIGNATURE SERIES

by RONBOW

## INSTALLATION AND CARE GUIDE

31" FREE WALL CABINET WITH HIDDEN DRAWER

E027033

Model : E027033

Designed By: DANELONMERONI | UK

## PRE-INSTALLATION

### Tools Required



### Materials Included

- 1 set of wall brackets
- 6 long bolts
- 10 short screws
- 6 bolt caps

### Materials Required

- 1 2x4 beam cut to size

Model : E027033

Designed By: DANELONMERONI | UK

## INSTALLATION

**Step 1:** Determine the ideal location of your new cabinet.

**NOTE:** It is highly recommended the location has at least two studs. Front notch the studs and install a 2x4 horizontal beam for added stability.

**Step 2:** Measure the distance for the wall bracket.

Fasten the wall brackets to the wall.

**See Figure 1.**

**Step 3:** Remove the drawer from the cabinet.

Refer to page 3.

**Step 4:** Slide the cabinet onto the wall brackets.

Verify the cabinet is level.

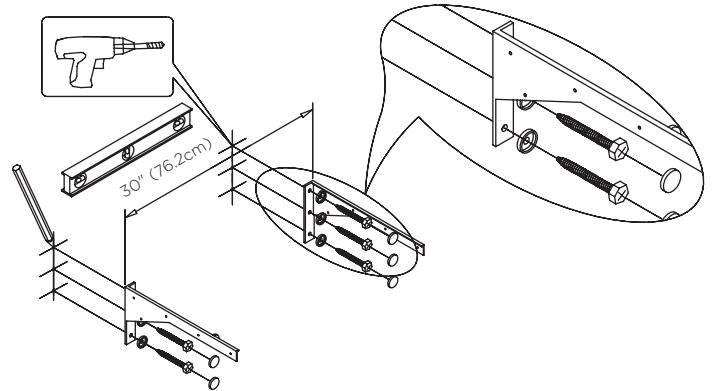
Secure the wall bracket to the cabinet using the short screws provided.

**See Figure 2.**

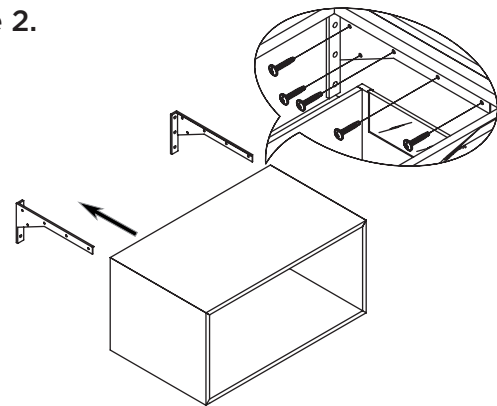
**Step 5:** Re-install the drawer from the cabinet.

Refer to page 3.

**Figure 1.**



**Figure 2.**



Model : E027033

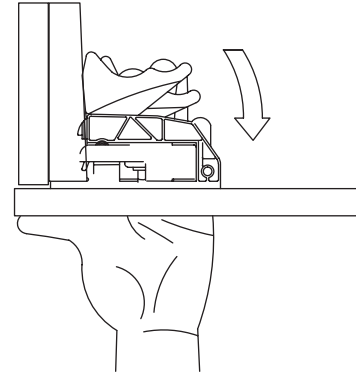
Designed By: DANELONMERONI | UK

## REMOVE DRAWER

**Step 1:** Pull the release latches located underneath the drawer.

See Figure 3.

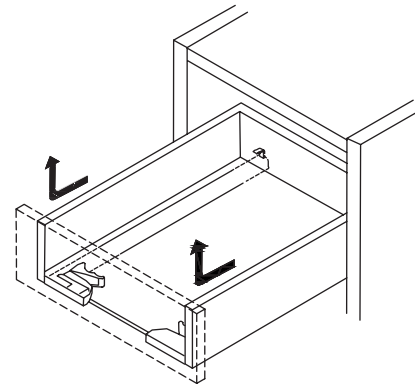
Figure 3.



**Step 2:** Slide and lift up the drawer box.

See Figure 4.

Figure 4.

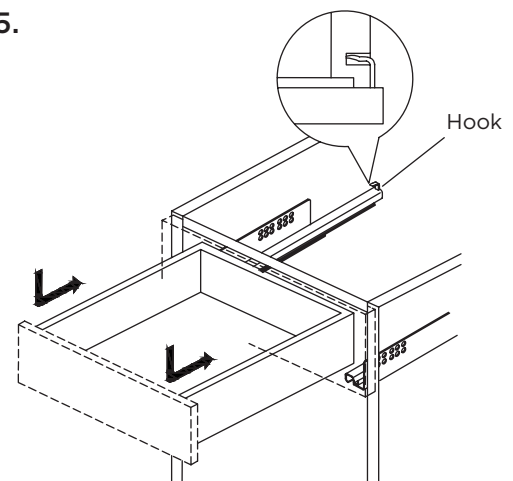


## REINSTALL DRAWER

**Step 1:** Slide drawer box in until secured by rail hook.

See Figure 5.

Figure 5.



<https://youtu.be/4DdK3cj3sTU>

Model : E027033

Designed By: DANELONMERONI | UK

## PRODUCT CARE AND MAINTENANCE

The fine furniture finish of your new vanity, mirror or other bathroom accessories are designed to protect against normal home use. With proper care, your product will provide years of use and beauty in your home.

### General Care Tips

- Test cleaning product on small, discrete area prior to applying to entire surface.
- Wipe surfaces frequently with dry, soft, non-abrasive and lint-free towel.
- Do not allow liquids and moisture to accumulate on the surface of products.
- For warranty information, please visit our website at [www.ronbow.com](http://www.ronbow.com) or contact the Customer Service Department at (510) 713-1188.

### Wood Surfaces

- If a spill occurs, clean and dry the surface immediately as liquid can soak through the surface and cause greater damage.
- Do not place in direct sunlight. Exposure to sunlight may affect the appearance of your vanity, and the finish will eventually crack.
- Keep away from direct sources of extreme temperatures as heat, cold or moisture from humidity. Color changes, or blemishes in the wood can occur if recommended care of is not met. Try to avoid these extremes.
- Most wood surfaces can be cleaned, or dusted, with any commercial wood cleaning product. For general cleaning, use a non-abrasive, or lint-free cloth while dusting along the wood grain to preserve the wood's characteristics.

### Recommended Products

- Pledge Orange Oil, or similar
- Orange-Glo Wood Cleaner

**DISCLAIMERS:** Wood naturally ages, darkens and changes color over time due to several environmental conditions that may cause materials to vary from their original color and/or to warp, split or crack. These variations are considered to be the nature of the material in relation to their environmental exposure and may be significant over a long period of time. The effectiveness of cleaning Ronbow product is dependant on various factors that include sunlight, smoke, moisture, household cleaners and/or amount of cleaning product used over time. Ronbow cannot guarantee that the above Product Care & Maintenance methods will effectively clean your product.

# RONBOW

40650 Encyclopedia Circle  
Fremont, CA 94538

T 510.713.1188  
F 510.657.9388

[ronbow.eu](http://ronbow.eu) | [ronbow.com](http://ronbow.com)