

# SIGNATURE SERIES

by RONBOW

## INSTALLATION AND CARE GUIDE

**FREE METAL MIRROR**

E025023

E025121

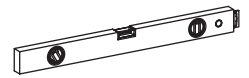
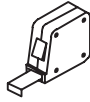
E025131

Model : E025023  
E025121  
E025131

Designed By: DANELONMERONI | UK

## PRE-INSTALLATION

### Tools Required



### Materials Included

E025023 | E025121  
1 set of wall cleats  
5 long screws

E025131  
1 set of wall cleats  
4 long screws

Model : E025023  
E025121  
E025131

Designed By: DANELONMERONI | UK

## INSTALLATION

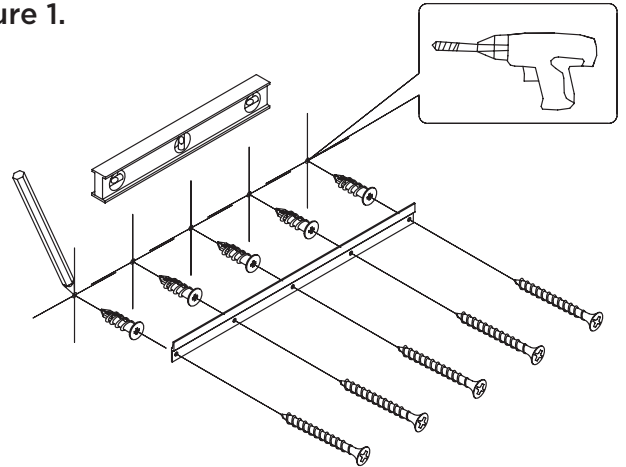
**Step 1:** Determine the ideal location of your new LED mirror.

Mark the locations for the long screws to hang the wall cleat.

**NOTE:** It is highly recommended the location of the mirror is at least 1" from the faucet.

**See Figure 1.**

**Figure 1.**

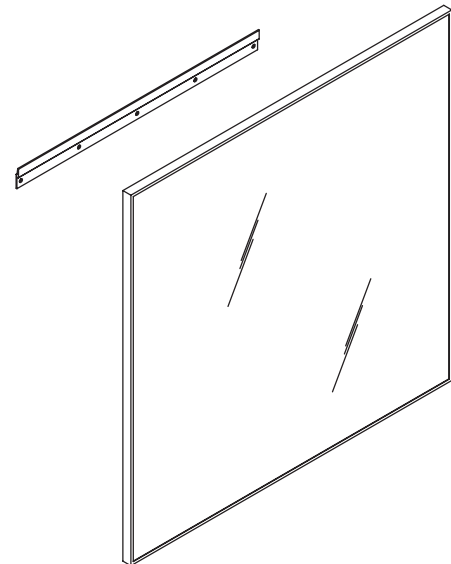


**Step 2:** Secure the wall cleat to the wall with the long screws provided.

Verify the wall cleat is level.

**See Figure 2.**

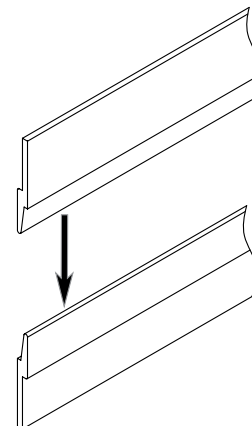
**Figure 2.**



**Step 3:** Secure the cleat in the back of the mirror to the wall cleat.

**See Figure 3.**

**Figure 3.**



Model : E025023  
E025121  
E025131

Designed By: DANELONMERONI | UK

## PRODUCT CARE AND MAINTENANCE

The fine furniture finish of your new vanity, mirror or other bathroom accessories are designed to protect against normal home use. With proper care, your product will provide years of use and beauty in your home.

### General Care Tips

- Test cleaning product on small, discrete area prior to applying to entire surface.
- Wipe surfaces frequently with dry, soft, non-abrasive and lint-free towel.
- Do not allow liquids and moisture to accumulate on the surface of products.
- For warranty information, please visit our website at [www.ronbow.com](http://www.ronbow.com) or contact the Customer Service Department at (510) 713-1188.

### Glass Surfaces

- Clean up any spills or liquids immediately. Never allow liquids of any kind to remain on surface as it may form buildup and deposits.
- DO NOT use abrasive brushes, sponges or cleaners as they may scratch and damage the surface.
- Do not use oil or any oil-based cleaners on the glass as this may remove the frosted finish.

**DISCLAIMERS:** Clear glass will tend to have a greenish tint. This is a natural feature and not a defect. Effectiveness of cleaning your Ronbow products is dependent on various factors that include: water temperature, concentration and/or amounts of cleansers. Because of these many different conditions, Ronbow cannot guarantee that the above Product Care & Maintenance methods will effectively clean your product.

# RONBOW

40650 Encyclopedia Circle  
Fremont, CA 94538

T 510.713.1188  
F 510.657.9388

[ronbow.eu](http://ronbow.eu) | [ronbow.com](http://ronbow.com)