

SIGNATURE SERIES

by RONBOW

INSTALLATION AND CARE GUIDE

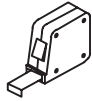
BRIT WALL CABINET
E027013

Model : E027013

Designed By: **DANELONMERONI** | UNITED KINGDOM

PRE-INSTALLATION

Tools Required



Materials Included

- 3 long screws
- 1 set of wall cleats
- 2 glass shelves
- 8 shelf clips

Materials Required

- 1 2x4 beam

Model : **E027013**

Designed By: **DANELONMERONI** | UNITED KINGDOM

INSTALLATION

Step 1: Determine the ideal location of your new wall cabinet.

NOTE: Make sure the location has at least two studs. Front notch the studs and install a 2x4 beam.

Step 2: Install the wall cleat at the desired location and drill pilot holes.

Fasten the cleat to the wall.

Verify the cleat is level.

See Figure 1.

Step 3: Secure the cleat in the back of the cabinet to the wall cleat.

Check if the wall cabinet is level.

See Figure 2.

Figure 1.

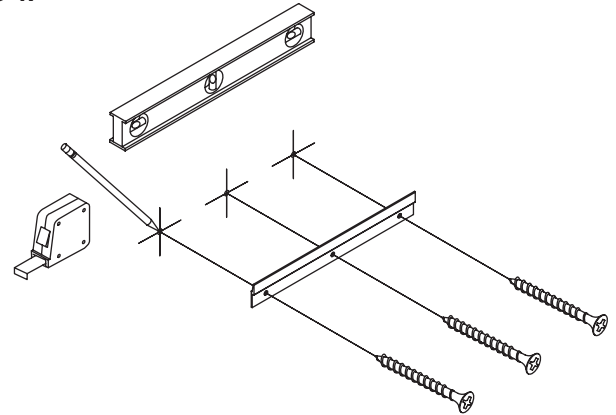
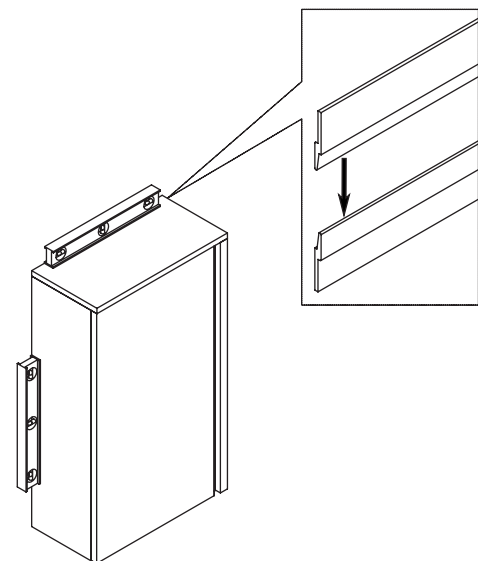


Figure 2.



Model : E027013

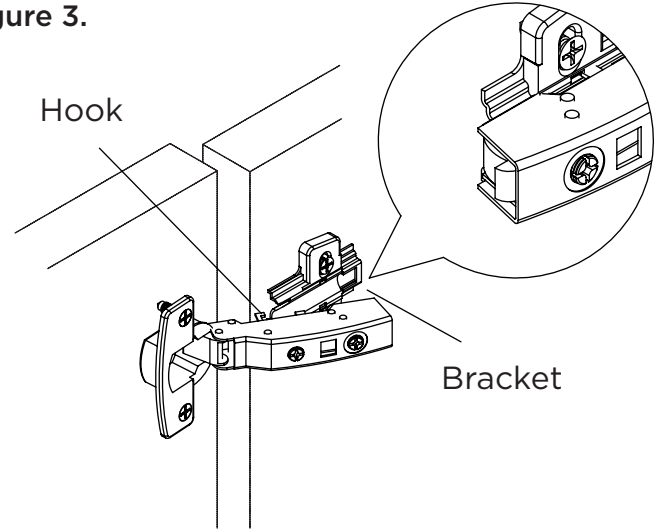
Designed By: DANELONMERONI | UNITED KINGDOM

REVERSE DOOR OPENING FOR INVERTED INSTALLATION

Step 1: Unhinge the door by popping off the hinge from the base of the cabinet.

See Figure 3.

Figure 3.

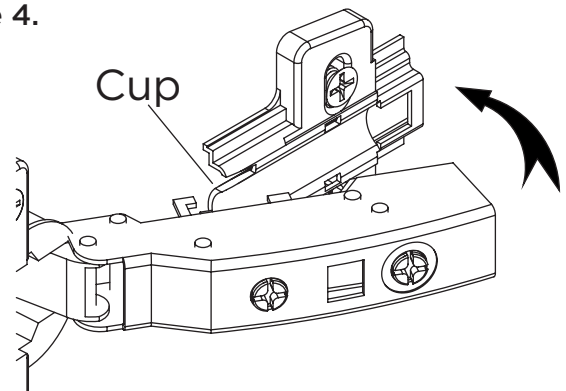


Step 2: Unscrew the hinge plate from the base of the cabinet.

Measure the distances of the existing screw holes and copy that to the opposite side.

Step 3: Install the hinge plate.

Figure 4.



Step 4: Install the door to the base of the cabinet. Push the hinge until you hear a click to lock the hinge into place.

See Figure 4.

Model : E027013

Designed By: DANELONMERONI | UNITED KINGDOM

REMOVE GLASS SHELVES

Step 1: Unhinge the door by popping off the hinge from the base of the cabinet.

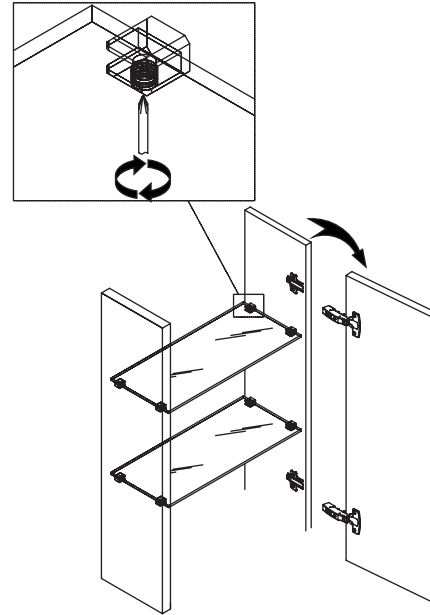
See page 3.

Step 2: Unscrew the shelf clip from the under-side.

Remove the glass shelf.

See Figure 5.

Figure 5.



Model : E027013

Designed By: DANELONMERONI | UNITED KINGDOM

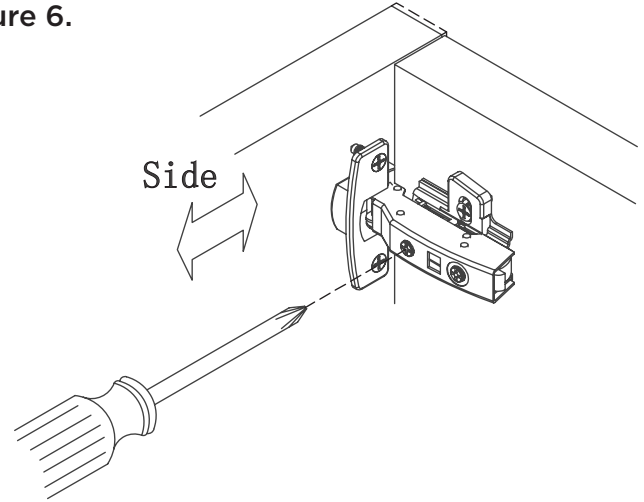
ADJUST DOOR HINGE

Side to Side

Locate the screw nearest the hinge cup and rotate clockwise or counter-clockwise to move the door from side to side.

See Figure 6.

Figure 6.

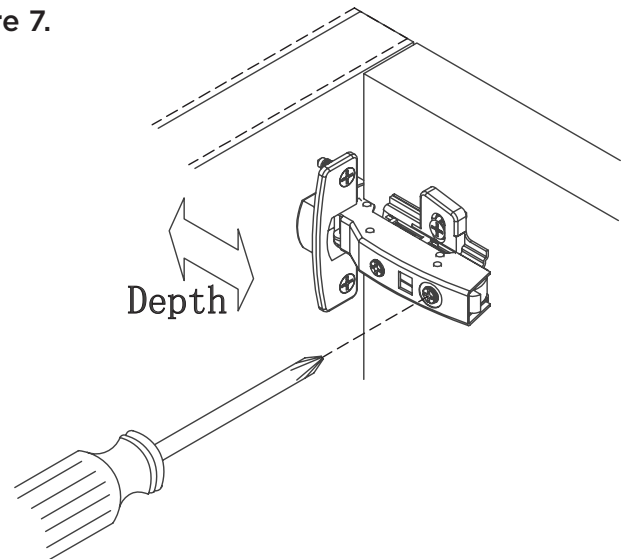


Front to Back

Locate the screw furthest away from the hinge cup and turn the screw clockwise or counter-clockwise to move the door from front to back.

See Figure 7.

Figure 7.

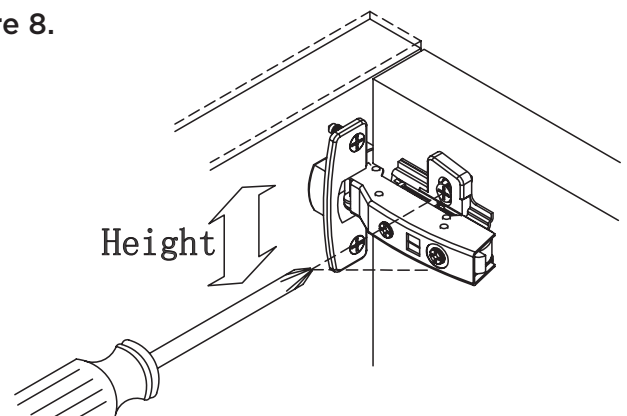


Top to Bottom

Locate the screw pictured in Figure 6. Turn the screw clockwise or counter-clockwise to move the door from top to bottom.

See Figure 8.

Figure 8.



NOTE: When adjusting the door hinges keep in mind to adjust the other hinges.

Model : E027013Designed By: **DANELONMERONI** | UNITED KINGDOM

PRODUCT CARE AND MAINTENANCE

The fine furniture finish of your new vanity, mirror or other bathroom accessories are designed to protect against normal home use. With proper care, your product will provide years of use and beauty in your home.

General Care Tips

- Test cleaning product on small, discrete area prior to applying to entire surface.
- Wipe surfaces frequently with dry, soft, non-abrasive and lint-free towel.
- Do not allow liquids and moisture to accumulate on the surface of products.
- For warranty information, please visit our website at www.ronbow.com or contact the Customer Service Department at (510) 713-1188.

Wood Surfaces

- If a spill occurs, clean and dry the surface immediately as liquid can soak through the surface and cause greater damage.
- Do not place in direct sunlight. Exposure to sunlight may affect the appearance of your vanity, and the finish will eventually crack.
- Keep away from direct sources of extreme temperatures as heat, cold or moisture from humidity. Color changes, or blemishes in the wood can occur if recommended care of is not met. Try to avoid these extremes.
- Most wood surfaces can be cleaned, or dusted, with any commercial wood cleaning product. For general cleaning, use a non-abrasive, or lint-free cloth while dusting along the wood grain to preserve the wood's characteristics.

Recommended Products

- Pledge Orange Oil, or similar
- Orange-Glo Wood Cleaner

DISCLAIMERS: Wood naturally ages, darkens and changes color over time due to several environmental conditions that may cause materials to vary from their original color and/or to warp, split or crack. These variations are considered to be the nature of the material in relation to their environmental exposure and may be significant over a long period of time. The effectiveness of cleaning Ronbow product is dependant on various factors that include sunlight, smoke, moisture, household cleaners and/or amount of cleaning product used over time. Ronbow cannot guarantee that the above Product Care & Maintenance methods will effectively clean your product.

RONBOW

40650 Encyclopedia Circle
Fremont, CA 94538

T 510.713.1188
F 510.657.9388

ronbow.eu | ronbow.com