

SIGNATURE SERIES

by RONBOW

INSTALLATION AND CARE GUIDE

BRIT WALL SHELF

E024411

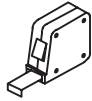
E024413

Model : E027013

Designed By: DANELONMERONI | UNITED KINGDOM

PRE-INSTALLATION

Tools Required



Materials Included

- 4 self tap anchors
- 2 brackets
- 4 long screws

Model : **E027013**

Designed By: **DANELONMERONI** | UNITED KINGDOM

INSTALLATION

Step 1: Determine the ideal location of your new wall cabinet.

Step 2: Install the brackets using the self tap anchors and long screws provided.

See Figure 1.

Step 3: Slide the shelf onto the brackets until it is flush against the wall.

See Figure 2.

Figure 1.

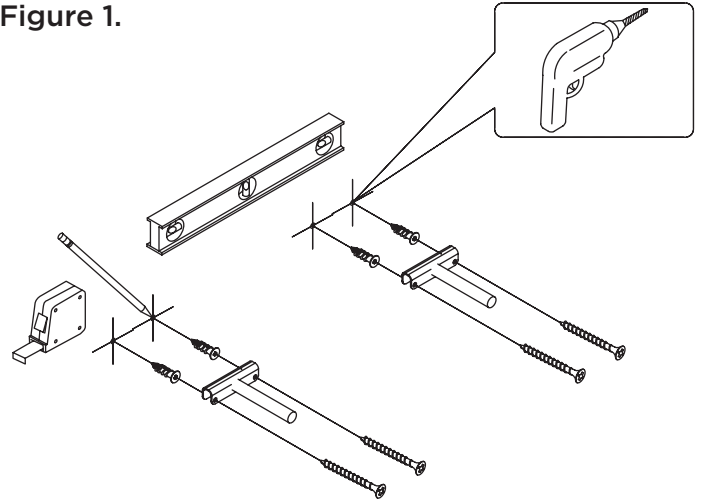
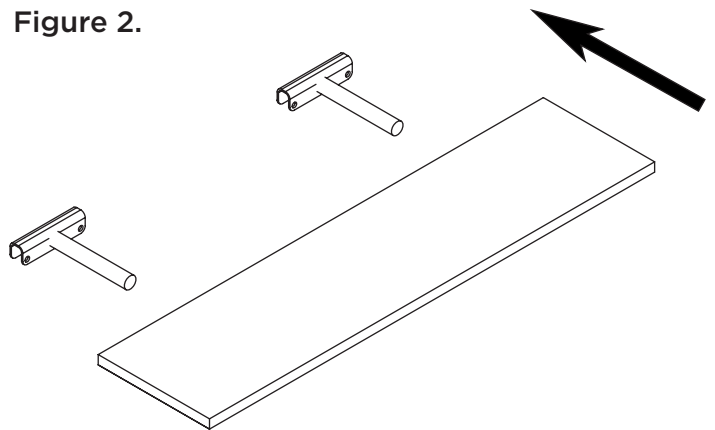


Figure 2.



Model : E027013Designed By: **DANELONMERONI** | UNITED KINGDOM

PRODUCT CARE AND MAINTENANCE

The fine furniture finish of your new vanity, mirror or other bathroom accessories are designed to protect against normal home use. With proper care, your product will provide years of use and beauty in your home.

General Care Tips

- Test cleaning product on small, discrete area prior to applying to entire surface.
- Wipe surfaces frequently with dry, soft, non-abrasive and lint-free towel.
- Do not allow liquids and moisture to accumulate on the surface of products.
- For warranty information, please visit our website at www.ronbow.com or contact the Customer Service Department at (510) 713-1188.

Wood Surfaces

- If a spill occurs, clean and dry the surface immediately as liquid can soak through the surface and cause greater damage.
- Do not place in direct sunlight. Exposure to sunlight may affect the appearance of your vanity, and the finish will eventually crack.
- Keep away from direct sources of extreme temperatures as heat, cold or moisture from humidity. Color changes, or blemishes in the wood can occur if recommended care of is not met. Try to avoid these extremes.
- Most wood surfaces can be cleaned, or dusted, with any commercial wood cleaning product. For general cleaning, use a non-abrasive, or lint-free cloth while dusting along the wood grain to preserve the wood's characteristics.

Recommended Products

- Pledge Orange Oil, or similar
- Orange-Glo Wood Cleaner

DISCLAIMERS: Wood naturally ages, darkens and changes color over time due to several environmental conditions that may cause materials to vary from their original color and/or to warp, split or crack. These variations are considered to be the nature of the material in relation to their environmental exposure and may be significant over a long period of time. The effectiveness of cleaning Ronbow product is dependant on various factors that include sunlight, smoke, moisture, household cleaners and/or amount of cleaning product used over time. Ronbow cannot guarantee that the above Product Care & Maintenance methods will effectively clean your product.

RONBOW

40650 Encyclopedia Circle
Fremont, CA 94538

T 510.713.1188
F 510.657.9388

ronbow.eu | ronbow.com