



MODEL: 080830-1-FINISH  
080830-3-FINISH

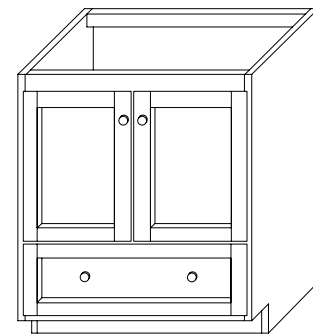
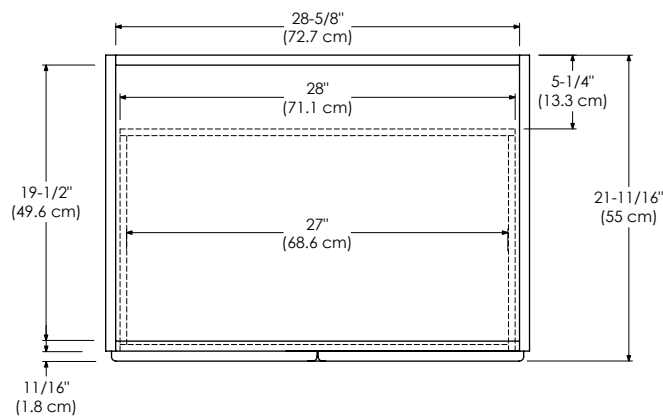
MODULAR COLLECTION

- Soft Close Wood or Frosted Glass doors
- Soft Close and Full Extension drawers with Dovetail construction
- Undermount glides
- Matching finish throughout the interior
- Extend design with Optional 12", 15" & 18" Drawer Bank and 15" & 18" Linen Hutch
- Optional Drawer Organizer
- Matching Mirror, Medicine Cabinet, Overjohn Cabinet and Wall Cabinet

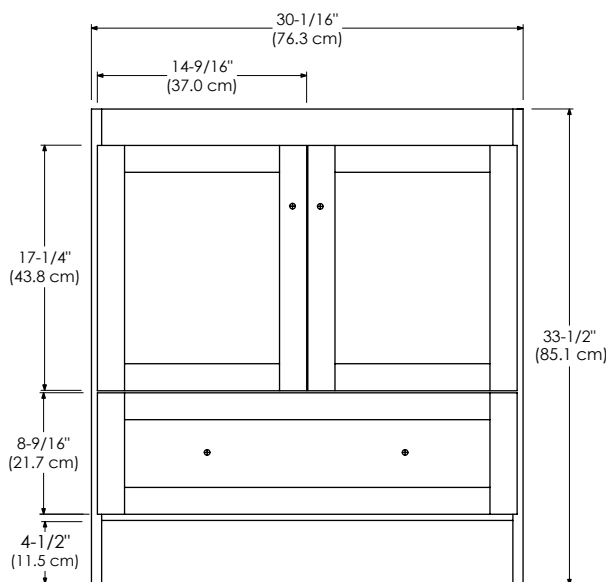
All Ronbow cabinets are made of solid hardwood or hardwood plywood and meet strict CARB Standards. No particle Board or Micro-Density Fiberboard (MDF) are used.

- |                     |                     |                 |
|---------------------|---------------------|-----------------|
| Available finishes: | Available fronts:   | Available tops: |
| DARK CHERRY H01     | FROSTED GLASS DOORS | CERAMIC SINKTOP |
| WHITE W01           | WOOD DOORS          | STONE COUNTER   |
|                     |                     | TECHSTONE™ TOP  |
|                     |                     | WIDEAPPEAL™ TOP |

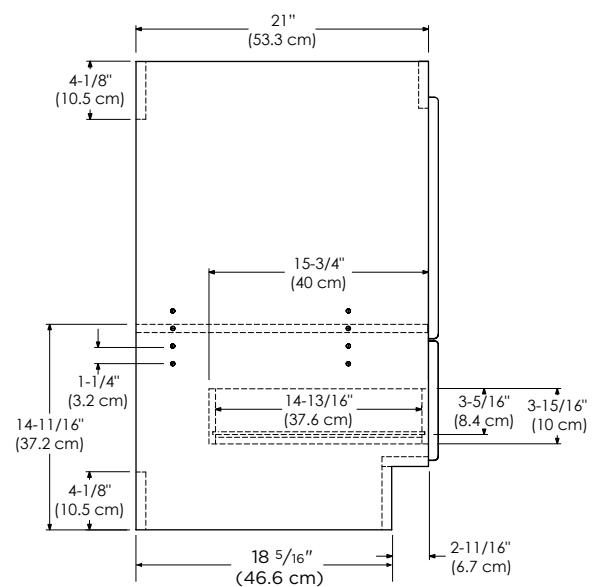
TOP VIEW



FRONT VIEW



SIDE VIEW



# SHAKER 24" / 30" / 36" / 48"

RONBOW ESSENTIALS.

MODEL: 081930-1L-FINISH 081930-1R-FINISH  
081930-3L-FINISH 081930-3R-FINISH

MODULAR COLLECTION

Soft Close Wood or Frosted Glass doors  
Soft Close and Full Extension drawers with Dovetail Construction  
Undermount glides  
Matching Finish throughout the Interior  
Extend design with Optional 12", 15" & 18" Drawer Bank and 15" & 18" Linen Hutch  
Matching Mirror, Medicine Cabinet and Wall Cabinet

All Ronbow cabinets are made of solid hardwood or hardwood plywood and meet strict CARB Standards.  
No particle Board or Micro-Density Fiberboard (MDF) are used.

Available finishes:

DARK CHERRY H01  
WHITE W01

Available fronts:

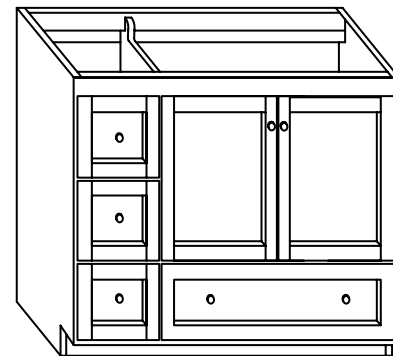
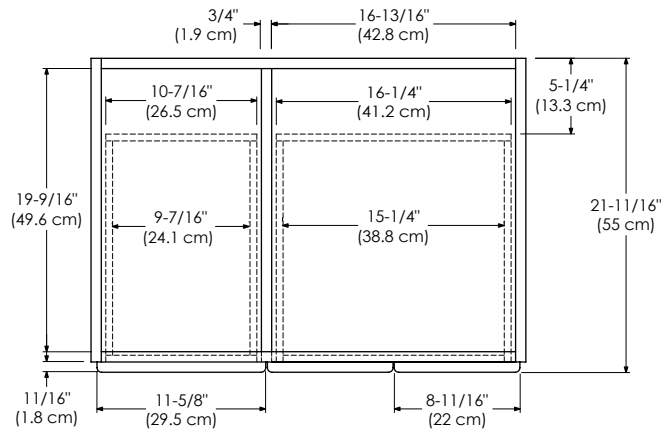
FROSTED GLASS DOORS ON LEFT  
FROSTED GLASS DOORS ON RIGHT  
WOOD DOORS ON LEFT  
WOOD DOORS ON RIGHT

Available tops:

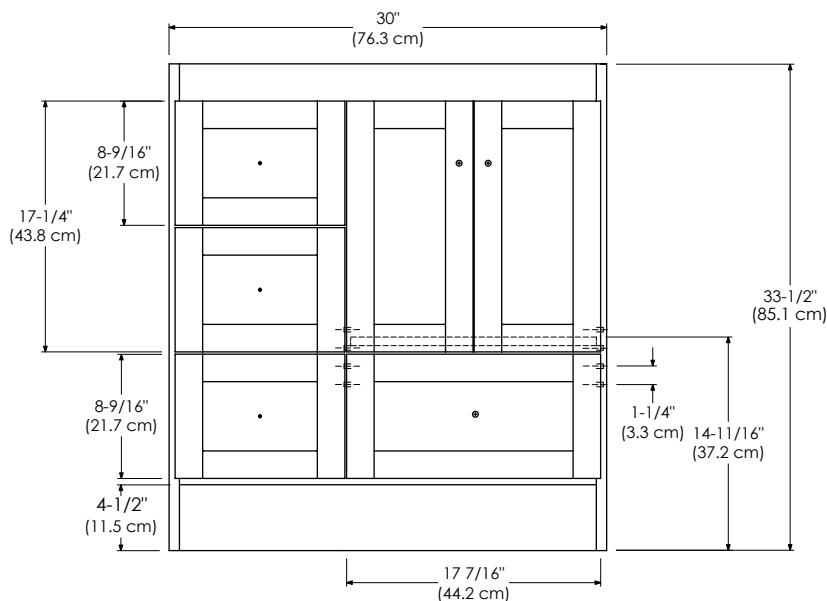
CERAMIC SINKTOP  
STONE COUNTER  
TECHSTONE™ TOP  
WIDEAPPEAL™ TOP

NOTE: Shown as right (R)

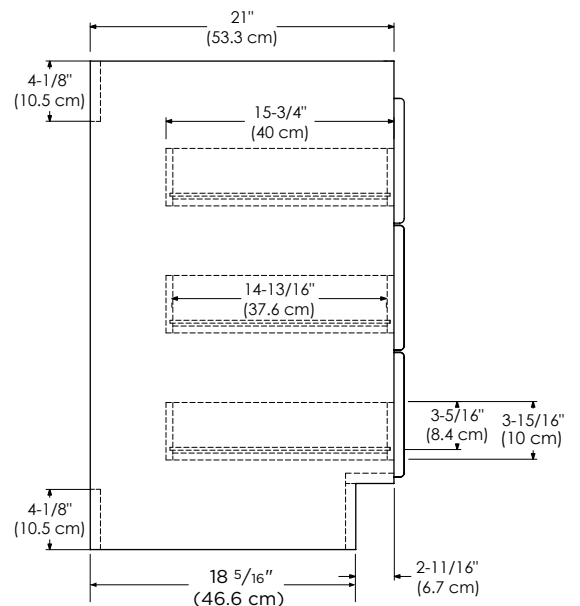
TOP VIEW



FRONT VIEW



SIDE VIEW



MODEL: 081936-1L-FINISH      081936-3L-FINISH  
 081936-1R-FINISH      081936-3R-FINISH

MODULAR COLLECTION

Soft Close Wood or Frosted Glass doors  
 Soft Close and Full Extension drawers with Dovetail Construction  
 Undermount glides  
 Matching Finish throughout the Interior  
 Extend design with Optional 12", 15" & 18" Drawer Bank and 15" & 18" Linen Hutch  
 Matching Mirror, Medicine Cabinet and Wall Cabinet

All Ronbow cabinets are made of solid hardwood or hardwood plywood and meet strict CARB Standards.  
 No particle Board or Micro-Density Fiberboard (MDF) are used.

Available finishes:

DARK CHERRY H01  
 WHITE W01

Available fronts:

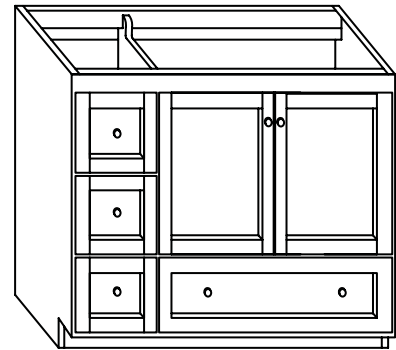
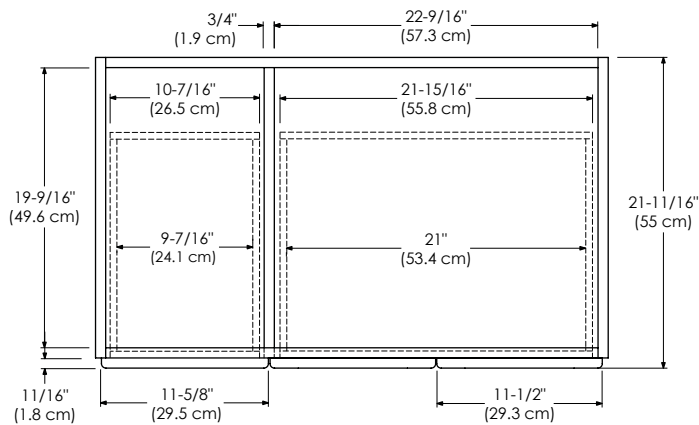
FROSTED GLASS DOORS ON LEFT  
 FROSTED GLASS DOORS ON RIGHT  
 WOOD DOORS ON LEFT  
 WOOD DOORS ON RIGHT

Available tops:

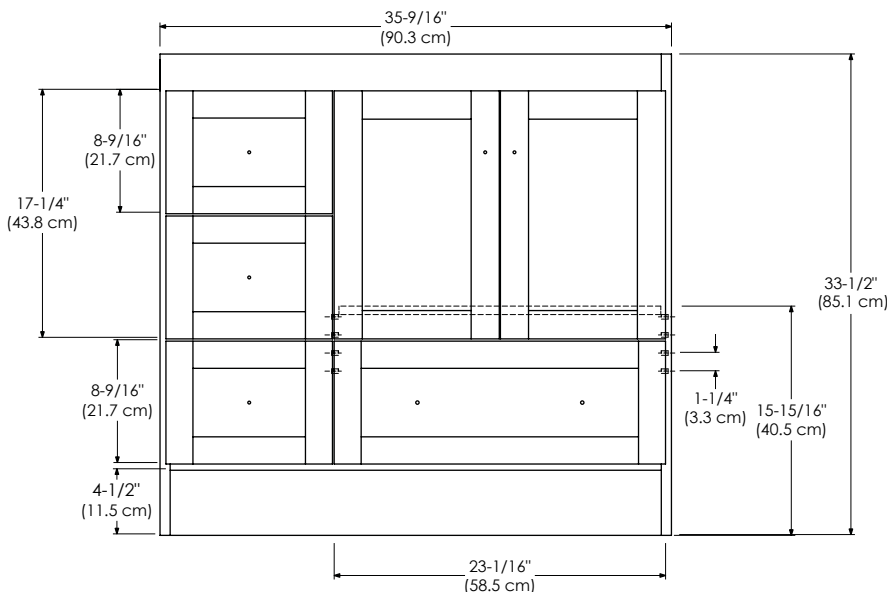
CERAMIC SINKTOP  
 STONE COUNTER  
 TECHSTONE™ TOP  
 WIDEAPPEAL™ TOP

NOTE: Shown as right (R)

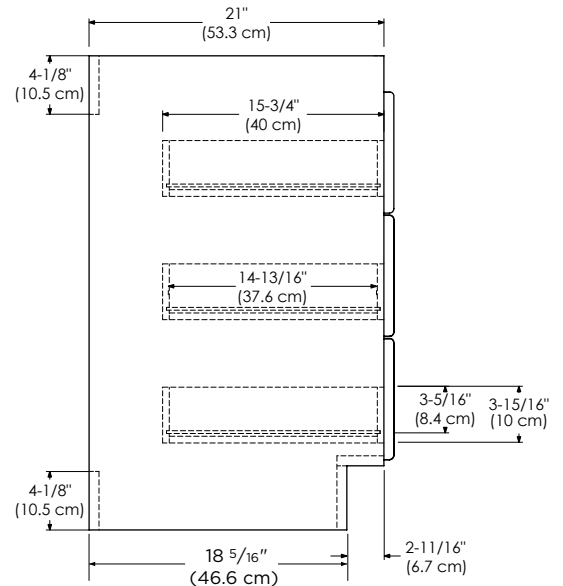
TOP VIEW



FRONT VIEW



SIDE VIEW



# SHAKER 24" / 30" / 36" / 48"

RONBOW ESSENTIALS.

MODEL: 081948-1-FINISH  
081948-3-FINISH

MODULAR COLLECTION

- Soft Close Wood or Frosted Glass doors
- Soft Close and Full Extension drawers with Dovetail construction
- Undermount glides
- Matching finish throughout the interior
- Extend design with Optional 12", 15" & 18" Drawer Bank and 15" & 18" Linen Hutch
- Optional Drawer Organizer
- Matching Mirror, Medicine Cabinet, Overjohn Cabinet and Wall Cabinet

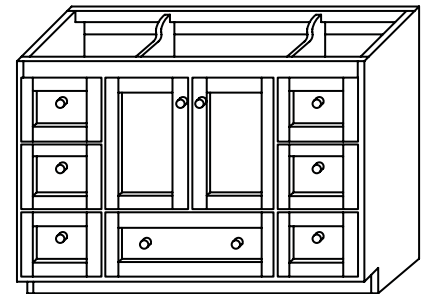
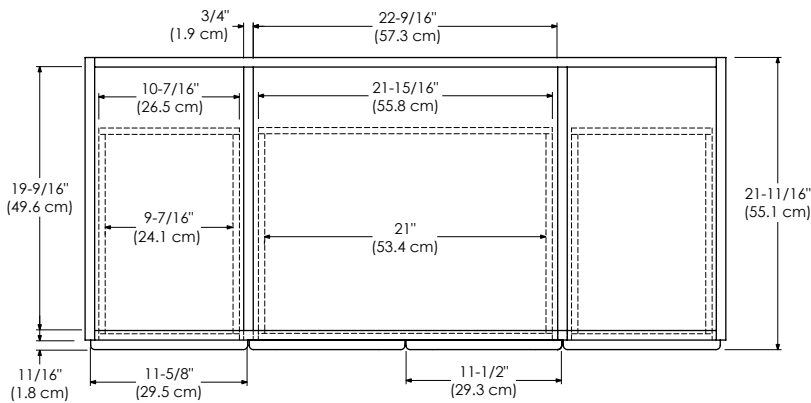
All Ronbow cabinets are made of solid hardwood or hardwood plywood and meet strict CARB Standards. No particle Board or Micro-Density Fiberboard (MDF) are used.

Available finishes:  
DARK CHERRY H01  
WHITE W01

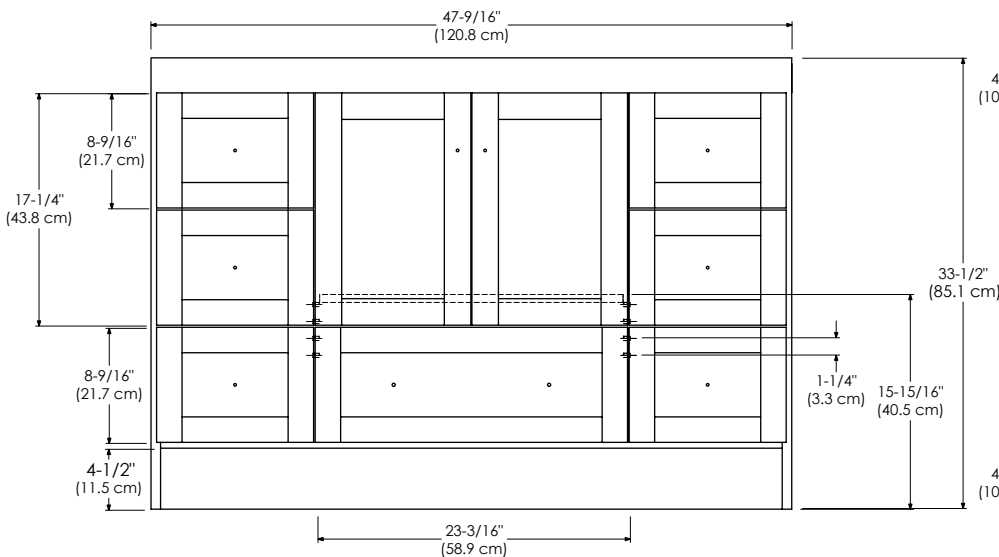
Available fronts:  
FROSTED GLASS DOORS  
WOOD DOORS

Available tops:  
CERAMIC SINKTOP  
STONE COUNTER  
TECHSTONE™ TOP  
WIDEAPPEAL™ TOP

TOP VIEW



FRONT VIEW



SIDE VIEW

