

**Model:** 039224  
039230

Contempo Collection

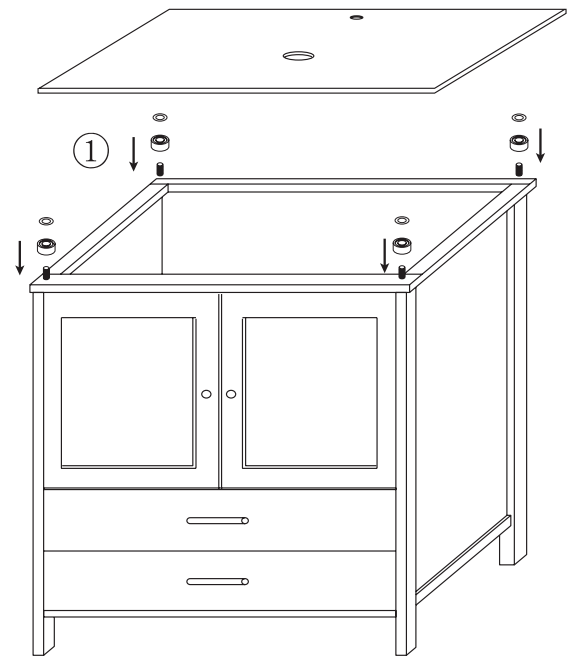
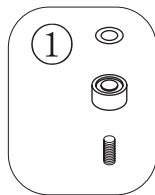
**For installing STONE top:**

Discard chrome spacers and use silicone adhesive to secure top to leg support.

**For installing WOOD top:**

Chrome spacers (parts 1) may be used but are not necessary. Wood top may be placed on spacers or may be glued to leg supports by using silicone adhesives.

**Step 1 :** Screw in the countertop spacers into the holes provided on top of the cabinet



**Step 2 :** Set your countertop on the spacers

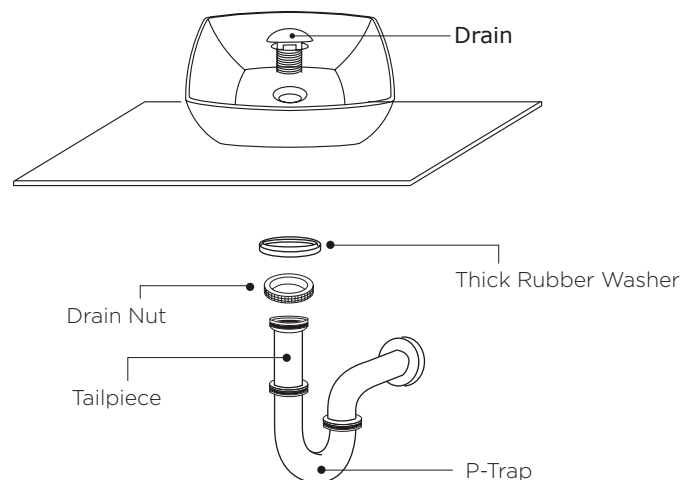
**Step 3 :** Position your sink over the drain hole on the countertop

**Step 4 : Installing Drain**

Place a generous portion of plumbers' putty under drain cap and insert whole drain body inside the bowl and through the countertop

From under the drain, insert the thick rubber washer and screw on and tighten the metal nut. Remove excess plumbers' putty. Attach p-trap to tailpiece

(There may be a small beveled rubber washer packaged with your drain, **please discard this and use plumbers' putty instead** .)



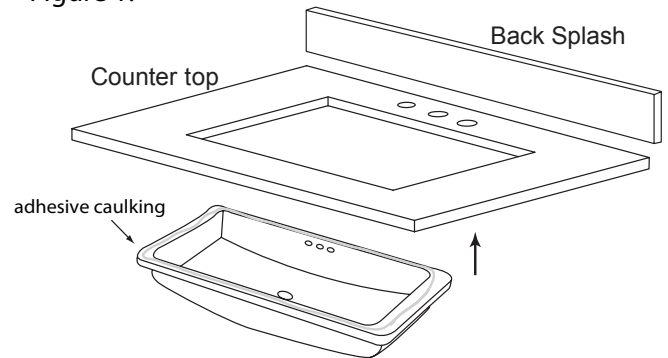
**Model:** 039224  
039230

**Note :** For installing under counter sink with counter top

**Step 1 :** Apply adhesive caulking around the topside of rim near the edge, Carefully raise sink in place, align, and press firmly

See Figure 1.

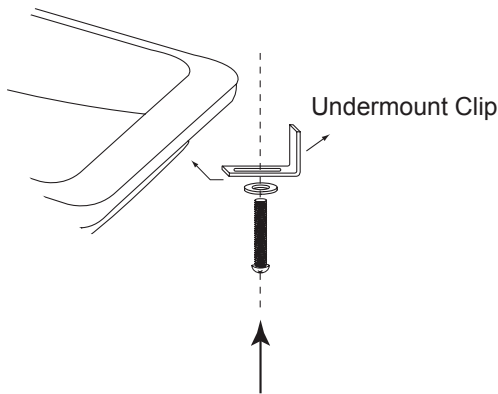
**Figure 1.**



**Step 2 :** Attach 4 undermount-clips to hold lavatory in place

See Figure 2.

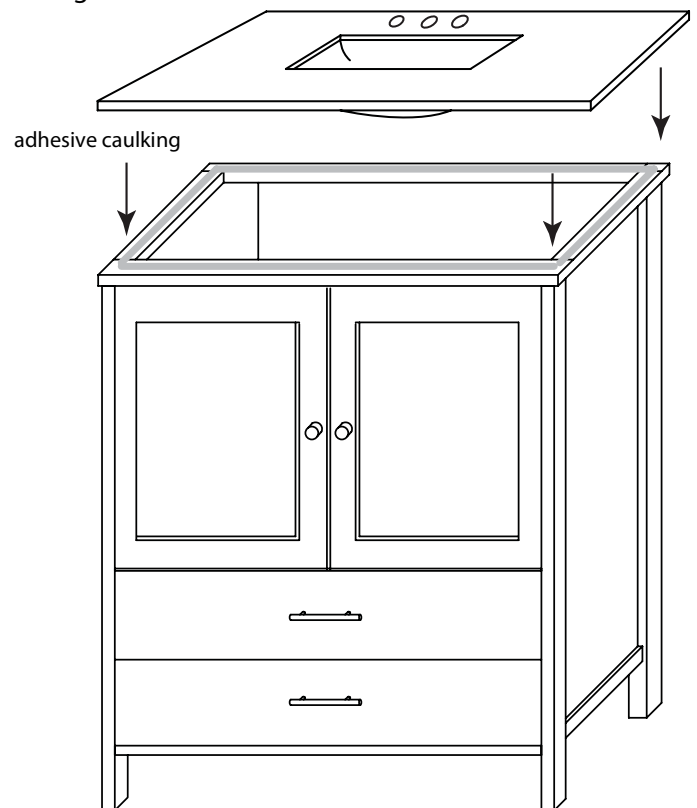
**Figure 2.**



**Step 3 :** Secure top & back splash to cabinet by using adhesive caulk

See Figure 3.

**Figure 3.**



**to be continued on next page**

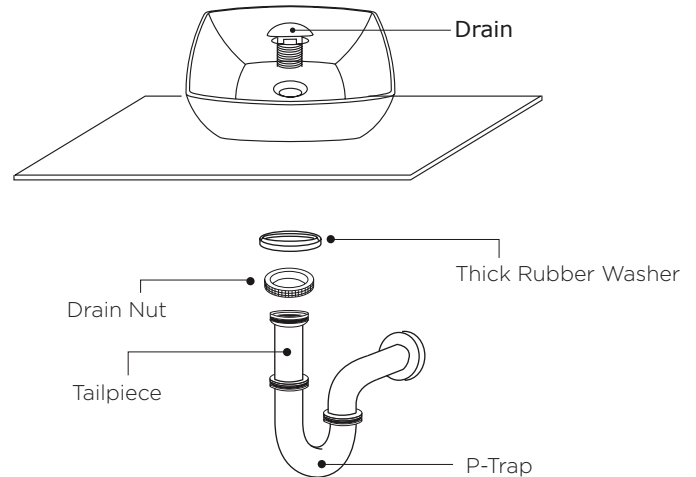
**Model:** 039224  
039230

#### Step 4 : Installing Drain

Place a generous portion of plumbers' putty under drain cap and insert whole drain body inside the bowl and through the countertop

From under the drain, insert the thick rubber washer and screw on and tighten the metal nut. Remove excess plumbers' putty. Attach p-trap to tailpiece

(There may be a small beveled rubber washer packaged with your drain, **please discard this and use plumbers' putty instead** .)



**Model:** 039224  
039230

Contempo Collection

**Note :** For installing under counter sink with WideAppeal Top

**Step 1 :** DO NOT DISCARD WOODEN INSTALLATION BRACKET!

- Make sure wooden installation bracket is safely secure
- Install under counter sink by following specific sink installation

See Figure 1.

- Step 2 :**
- For best results, clean the mounting surfaces with a dry cleaning cloth
  - To prevent over flow of adhesive, use masking tape to tape off the edges of the cabinet and the counter top

**Step 3 :** Apply adhesive on wood bracket and mounting surfaces of the cabinet

See Figure 2.

**Step 4 :** Carefully place countertop on to the cabinet, align, and press firmly

See Figure 3.

Figure 1.

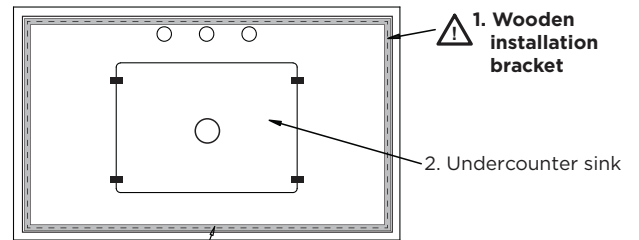


Figure 2.

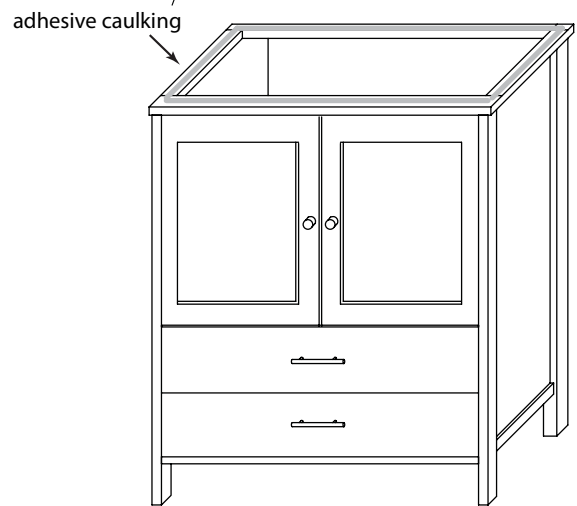
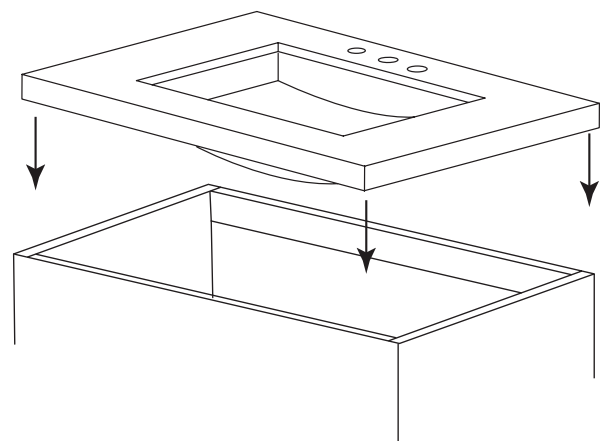


Figure 3.



**to be continued on next page**

**Model:** 039224  
039230

Contempo Collection

**Step 5 : Installing Drain**

Place a generous portion of plumbers' putty under drain cap and insert whole drain body inside the bowl and through the countertop

From under the drain, insert the thick rubber washer and screw on and tighten the metal nut. Remove excess plumbers' putty. Attach p-trap to tailpiece

(There may be a small beveled rubber washer packaged with your drain, **please discard this and use plumbers' putty instead** .)

