

# Sunkare 2000 BT

## Infrared Patio Heater

Safety Instructions and Operation Manual



Thank you for choosing our products. We kindly request that you thoroughly read these instructions prior to use, and strictly adhere to the guidelines provided, paying particular attention to the "Important Safety Instructions" section. We suggest retaining this manual in a safe place for future reference after you have finished reading.

This product is an infrared radiant heater, complete with remote control and IP 65 certification. Its usage is virtually limitless, especially outdoors, making it ideal for settings such as open bars, courtyards, plazas, stations, and construction sites during winter. This patio heater is energy-efficient, convenient, environmentally friendly, and designed to enhance your living experience.



## Important Safety Instructions

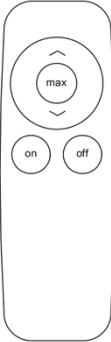

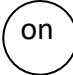
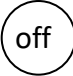
When operating electrical devices, it's crucial to follow fundamental safety measures to minimize the risk of fire, electrical shock, or personal injury. This includes the following precautions:

1. Always read the entire instruction manual before using this heater.
2. The heater will be hot when in use. To prevent burns, avoid direct skin contact with hot surfaces. If handles are provided, use them to move the heater. Maintain a distance of at least 0.9m from the heater for combustible materials, such as furniture, pillows, bedding, papers, clothes, and curtains.
3. Exercise extreme caution when the heater is used near children, the infirm, or left unattended.
4. Always disconnect the heater when it's not in use.
5. Do not operate a heater with a damaged cord or plug, or if it malfunctions, has been dropped, or damaged in any way. Discard or return the faulty heater to an authorized service facility for examination and/or repair.
6. This heater is not designed for use in bathrooms, laundry areas, or similar wet locations. Never place the heater where it might fall into a bathtub or other water container.
7. Avoid running the cord under carpeting or covering it with rugs or similar items. Don't route the cord under furniture or appliances. Position the cord in a low-traffic area where it won't cause a tripping hazard.
8. Connect the heater to properly grounded outlets only.
9. To disconnect the heater, turn the controls off and then unplug it from the outlet.
10. Never insert foreign objects into any ventilation or exhaust opening, as it may cause electric shock, fire, or damage to the heater.
11. To prevent potential fire hazards, never block the air intakes or exhaust vents in any way. Don't use the heater on soft surfaces like a bed, where openings may become blocked.

12. Since a heater has hot and potentially sparking parts inside, don't use it in areas where gasoline, paint, or flammable liquids are stored.
13. Use this heater strictly as outlined in this manual. Any usage not recommended by the manufacturer may lead to fire, electrical shock, or personal injury.
14. Always plug heaters directly into a wall outlet. Never use it with an extension cord or power strip.
15. Ensure that the voltage indicated on the appliance's nameplate matches your local mains voltage before connecting the appliance.
16. The appliance should not be placed directly below a wall socket.
17. The casing and the front cover of the appliance can become extremely hot during operation. Ensure that no combustible material due to wind or other environmental factors obstructs the appliance, such as curtains, marquees, flags, plastic foil, etc. Avoid touching the appliance to prevent burns.
18. Improper use can lead to electrical shock and/or fire hazard. If this happens, stop using the appliance immediately and unplug it. Do not attempt to repair the appliance yourself. Contact a service agent or a qualified electrician for maintenance.
19. Before cleaning, unplug the appliance and wait until it has cooled down sufficiently. Installation of the appliance should only be carried out by an authorized specialist, adhering to the relevant regulations of the power supply companies and regional construction codes.
20. This appliance is suitable for use by children aged 8 years and above and people with reduced physical, sensory or mental capabilities, or lack of experience and knowledge, provided they are supervised or have been instructed on safe usage and understand the potential hazards. Children should not play with the appliance, and cleaning or maintenance should not be carried out by children without supervision.
21. Parts of this product can become very hot and cause burns. Special attention should be given where children and vulnerable people are present.

# HEATER OPERATION

## Remote Control Instructions

	Button	Graphic	Feature
	Up Arrow	^	One heat level up
	Max		Highest heat level
	Down Arrow	v	One heat level down
	On		<p>To turn on the heater: Press the ON button. The patio heater is equipped with a soft start function that initiates at 33% power. Four seconds after activating the heater, it will automatically revert to the previously used heating level. For first-time use, the heater will automatically transition to 100% power after the initial four seconds.</p>
	Off		<p>To turn off the heater: Press the OFF button. The heater will then transition to standby mode, indicated by the lighting up of the receiver indicator.</p>

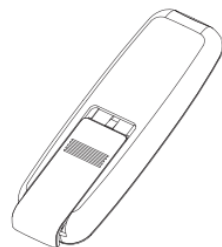
### Notice:

- For the remote control, use two AAA size 1.5V batteries. If the remote control will not be used for an extended period, it's advisable to remove the batteries.

This practice can prolong the lifespan of the remote control.

When replacing the batteries, ensure that the new ones match the original specifications; otherwise, the remote control might not function properly, which could affect the normal operation of the heater.

Please note that the remote control may not work if there's an obstruction between it and the heater. Therefore, it's crucial to replace the batteries promptly to maintain the regular use of both the heater and the remote control.



### **Reset Operation (at the back of heater)**

Briefly press the Reset button to adjust the power settings (Low, Middle, High, ON/OFF) as needed.

# Installation

Follow these guidelines for the setup and operation of your appliance:

1. Remove all packaging materials (including any objects used to stabilize the lamp) and inspect the appliance, power cord, and plug for any signs of damage.
2. Consider the location and mounting materials (dowels, screws) carefully. Ensure they are appropriate and sturdy enough for long-term support of the appliance.
3. Before mounting, strictly adhere to the minimum safe mounting distances and tilt angles as illustrated in the figures.
4. The distance between the bottom edge of the appliance and the floor must be at least 1.8m. Refer to Figure 2.
5. There should be a minimum distance of 0.25m between the appliance and ceilings, roofs, or other covers. Refer to Figure 2.
6. A distance of at least 0.5m must be maintained on each side between the appliance and walls or similar structures. Refer to Figure 2.
7. The recommended angle of the appliance to the mounting surface is 45°. See Figure 3.
8. Be aware that the installation of the appliance should not create excessive wind load.
9. First, secure the mounting bracket to the ceiling. Make sure the installation location is safe and stable. Alternatively, you can connect the appliance to a stand.
10. Adjust the desired radiation angle and firmly tighten all screws. Regularly inspect the screw connections. Mechanical pressure and vibrations caused by wind or rain could potentially loosen them.
11. Plug the appliance into the power source and operate the remote control. Observe if the appliance operates without issues for the first 10-15 minutes.
12. If you are not using the appliance, please remove the batteries from the remote control to prolong its lifespan.

Figure1: Mounting bracket and anchor dowels provided. Connection from the wall to the infrared heater.

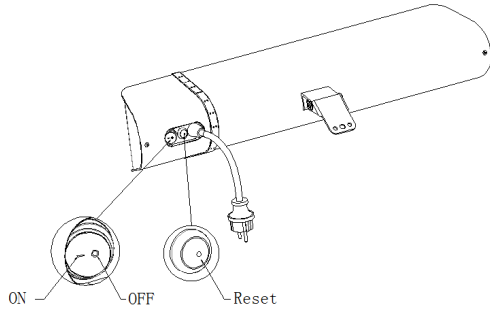


Figure2: Min. distance to floor, ceiling and wall.

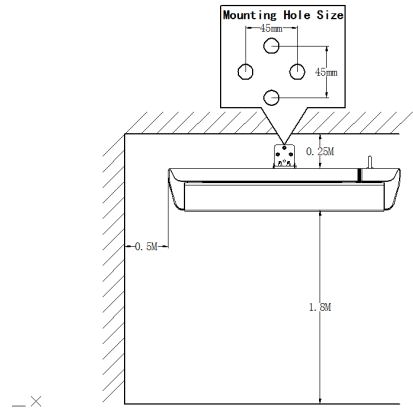


Figure3: Tilt angle.

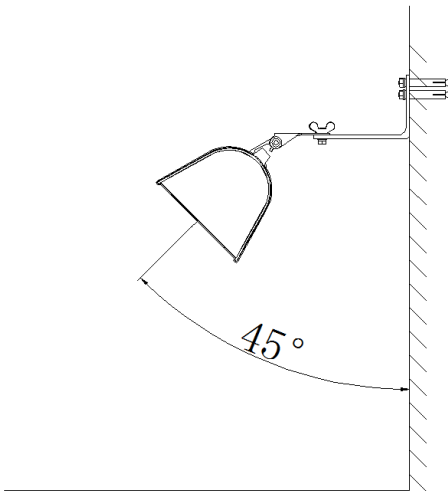
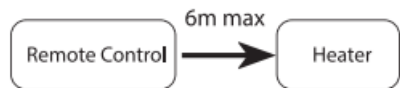


Figure 4: Max. remote control distance



## Cleaning and Maintenance

This appliance features a robust, maintenance-free aluminum casing and a protective cover made of toughened glass. There are no user-serviceable parts inside.

Here are some guidelines for cleaning and maintenance:

1. Before cleaning, unplug the appliance from the power outlet and wait until it has sufficiently cooled down.
2. Clean the appliance using only a clean, lint-free cloth or a soft brush.
3. Never use abrasive cleaners, scrubbing brushes, or chemical cleaners.
4. If necessary, you may use alcohol to clean the appliance.
5. To safeguard against electrical shocks and potential hazards, do not immerse the cord, plug, or any part of the appliance in water or any other liquid.

For any maintenance needs such as:

1. Replacing the heating element, please contact the manufacturer, its service agent, or a similarly qualified professional.
2. Any other services, please reach out to the service agent or a suitably qualified electrician.

## Storage & Disposal

When the heater is not in use or being stored, avoid extending or twisting the cord unnecessarily.



Disposal:

As per the European Directive 2011/65/EU regarding used electrical and electronic appliances (Waste Electrical and Electronic Equipment - WEEE), please deposit any electrical equipment you no longer use at the designated collection points for proper disposal.

This symbol indicates that the appliance should not be discarded with regular household waste, but must be taken to a specific collection point for recycling of electrical and electronic appliances.



For information on where to dispose of your equipment, please contact your local authority.

## Repairs

Ensure that repairs are conducted by authorized specialists to maintain electrical safety. For assistance, please contact the service agent or a suitably qualified electrician. Unauthorized or improper repairs can pose a risk to the user.

Please note that this warranty does not cover damages or failures that result from alterations, accidents, misuse, abuse, neglect, commercial use, or improper maintenance.

As part of our ongoing commitment to continuous product development, we reserve the right to change the product and documentation specifications without prior notice.

## SPECIFICATIONS

Specification	<input type="checkbox"/> LDHR094-200KY
Voltage (V)	<input type="checkbox"/> 220-240V~
Power consumption (W)	<input type="checkbox"/> 2000W
IP code	<input type="checkbox"/> IP65
Infrared receiving Angle	<input type="checkbox"/> 60°±5°