

Slim Dimmer Range

SlimDimmer Range (Range: SSR 2Kw and SlimDim Remote)



Model	SSR2 SlimDim	SlimDim and Remote
Max wattage	2 000 watt	2 000 watt
Size	102 mm x 102mm x 35mm	102 mm x 102mm x 35mm
Control	On/Off switch, Pot turn	4 Setting Remote Control
Technology	40 Amp Solid State Relay	16 Amp PC

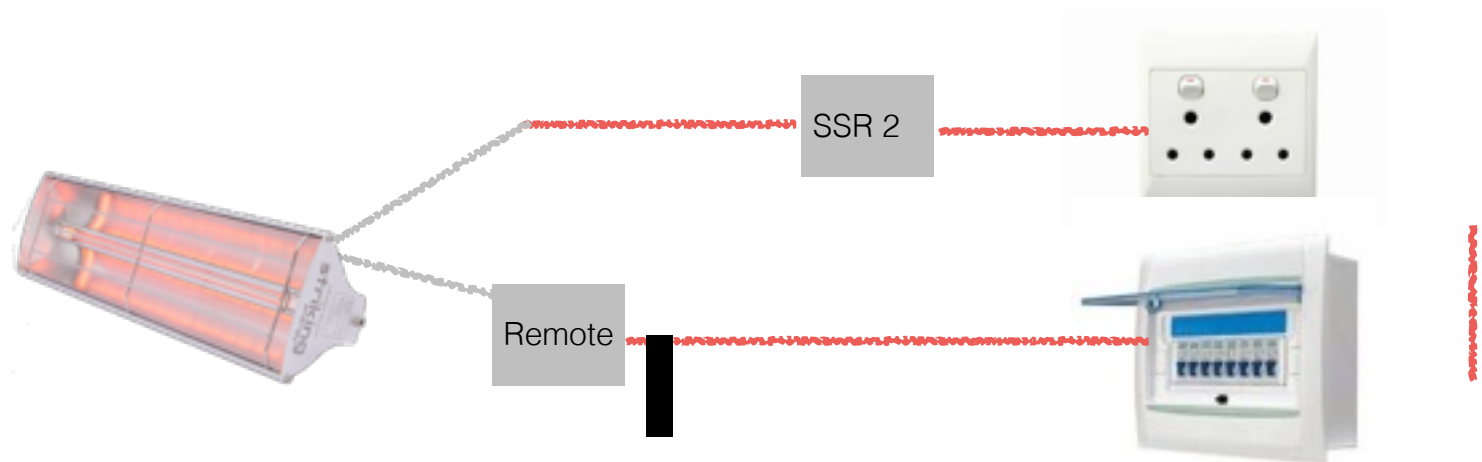
Our range of SlimDimmers are made from quality brushed stainless steel and the latest dimming technology inside. Perfect heat control saving even more energy

- No buzzing,
- Exceptional small sizes
- Clever integrated heat dissipation
- Save on your electricity bill

CAUTION:

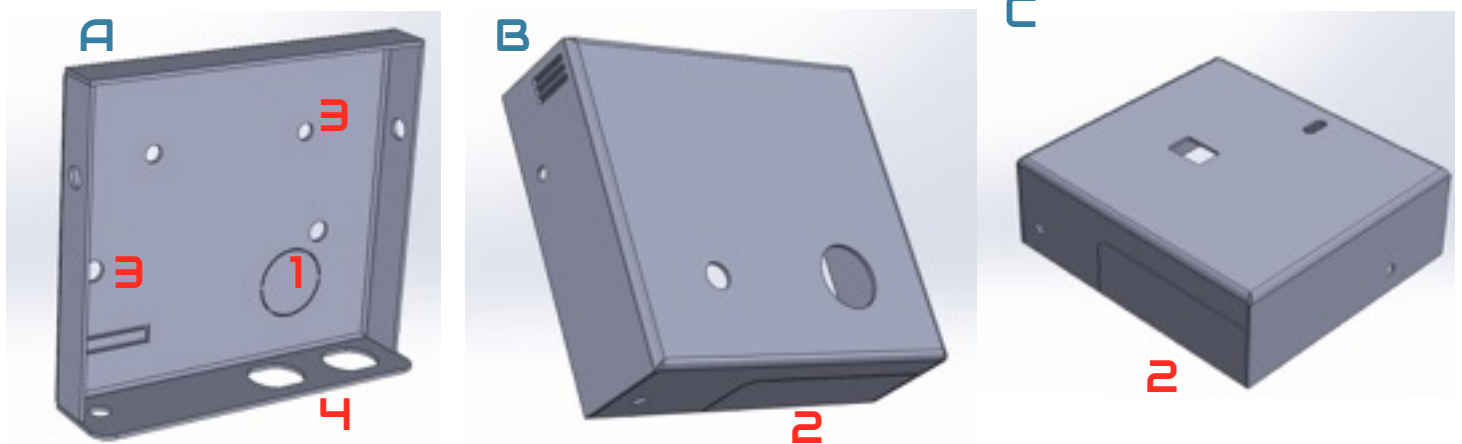
- Dimmers as with all electrical appliances should be installed by suitably qualified personnel.
- Ensure you have the correct dimmer before installation. The total load must not be greater than the rating of the dimmer.
- The dimmer MUST be earthed.

Where to install the dimmer



- Inline from the plug or power supply to the heater
- The Remote Dimmer can be installed next to the heater where the grey silicone cable and electrical cable connect.
- The SSR 2 Slimdim at a reachable height for persons in line with the supply.

Installing the Dimmer:

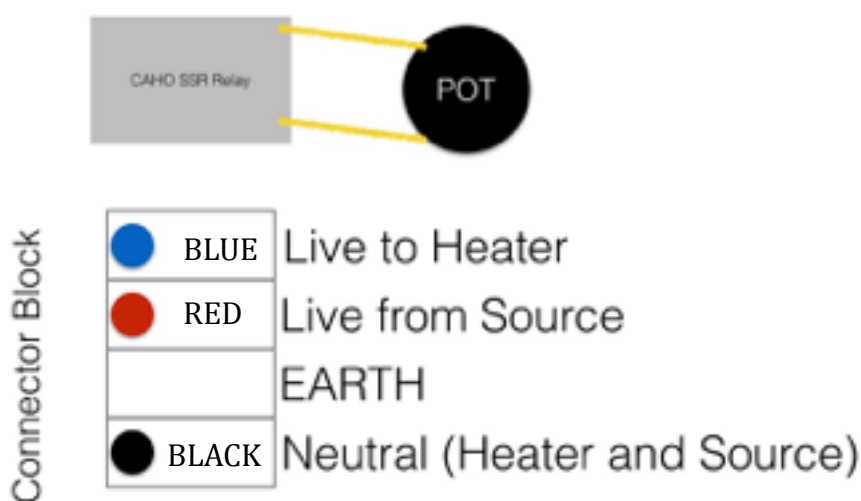


- Ensure that the power is off, remove the 3 x M4 screws from the stainless steel cover
- Wiring from the back (in wall) breakout hole number 1 and feed wires through hole
- Wiring from surface cable - Breakout plate 2
- Decide your best position to install the dimmer:
 - Next to the heater for the Remote dimmer and **(Not above heater - you need enough cool air over the surface of the dimmer)**
 - SSR 2 at a comfortable level to be adjustable for a person
- Place the bottom plate A of the dimmer against the wall at the position you want to install it
- Mark the 2 x 6mm holes (3) on the wall
- Drill 2 holes and fit the push in grey wall plugs through the plate into the wall and fix
- ALTERNATIVELY fix the bottom place with 2 set screws on any wooden surface

- Push both the supply cable and the heater cable through either the Hole 1 at the back OR through the 2 holes at the bottom (4)
- When using hole 4 - clamp the 2 black cable clamps supplied around the 2 cables and push into the oval holes until it tightens
- Wire the heater and cable according to the wiring diagram below
- Replace the cover B or C and fix with 3 x M3 Screws

Wiring Diagrams:

SSR2 Dim



SlimDim

