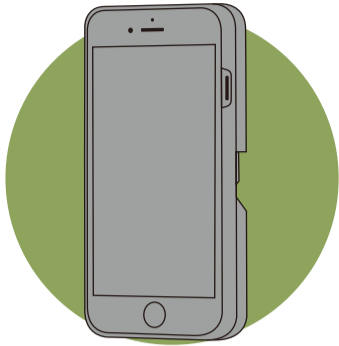


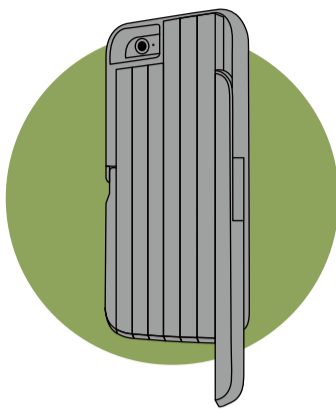
Selfie Case

HOW TO USE

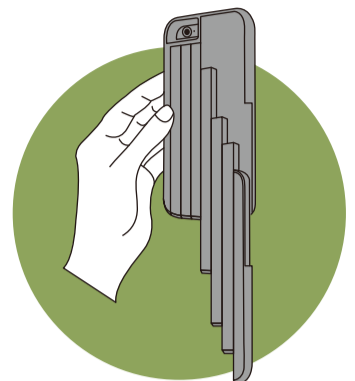
1 MOUNT YOUR PHONE ON THE SELFIE CASE.



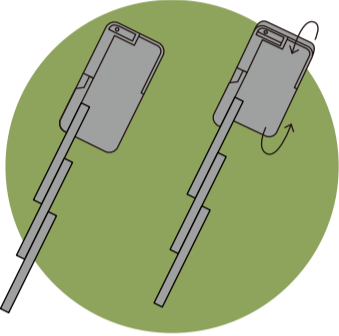
2 PULL OUT THE FIRST PIECE OF STICK FROM THE RIGHT SIDE OF THE CASE.



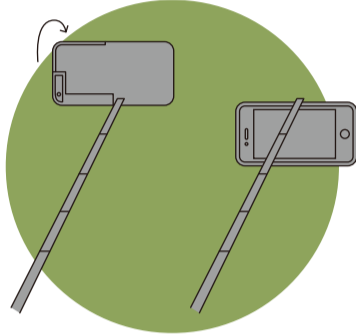
3 EXTEND THE STICK TO YOUR DESIRED LENGTH.



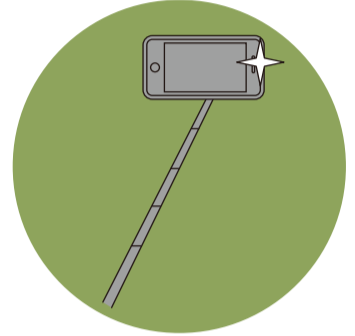
4 ROTATE THE STICK.



5 ROTATE THE CASE UPWARDS SO IT BECOMES FACING YOU.

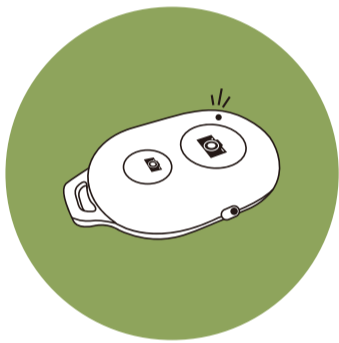


6 TAKE PICTURE.

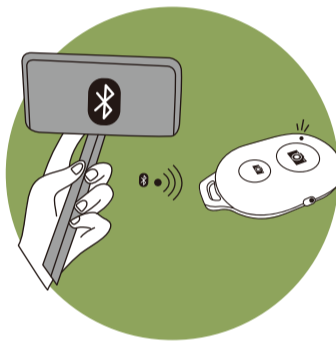


VERSION WITH REMOTE

1 SWITCH THE REMOTE ON AND ACTIVATE BLUETOOTH ON YOUR PHONE.



2 PAIR THE BLUETOOTH ON YOUR PHONE WITH THE REMOTE.

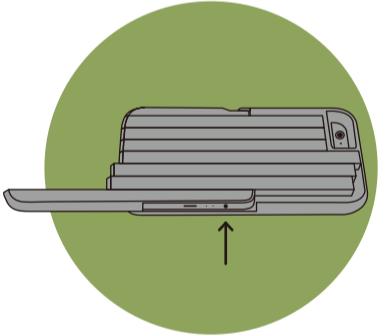


3 FOR IOS PHONES, PRESS IOS TO TAKE PHOTO. FOR ANDROID PHONES, PRESS ANDROID TO TAKE PHOTO.



VERSION WITH BUILT-IN REMOTE

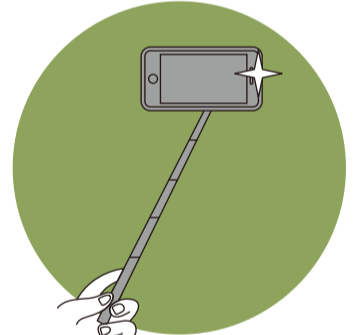
1 LONG PRESS BUTTON FOR 5 SECONDS TO TURN ON THE POWER.



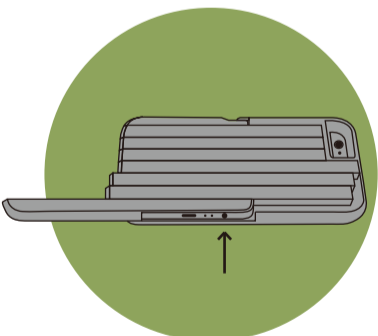
2 PAIR THE BLUETOOTH ON YOUR PHONE WITH THE BUILT-IN REMOTE.



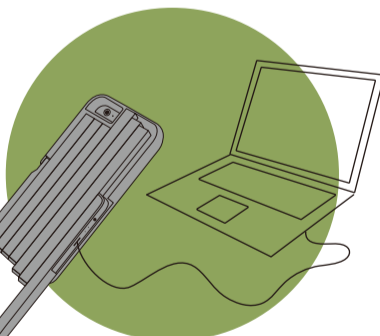
3 SHORT PRESS THE BUTTON TO TAKE PHOTO.



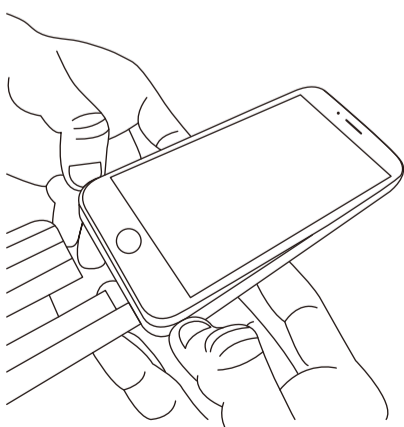
4 LONG PRESS BUTTON FOR 5 SECONDS TO TURN OFF.



5 THIS CASE NEEDS TO BE RECHARGED WITH THE MICRO USB CABLE EVERY NOW AND THEN AS THE BATTERY OF THE REMOTE IS INSIDE THE CASE.



HOW TO REMOVE THE CASE



1 FLIP OUT ALL THE STICKS OR PULL OUT ALL THE STICKS SO NOTHING IS AT THE BACK OF THE CASE.

2 APPLY PRESSURE TO THE BOTTOM LEFT AND BOTTOM RIGHT SIDE OF THE CASE WITH YOUR FINGERTIP.

To prevent damage and ensure continued enjoyment of your Phonebibi product, please review the installation video and check the user manual before using the product. Failure to observe these precautions could result in damage to the product. Phonebibi will not be held liable for any damages resulting from the use of this product.