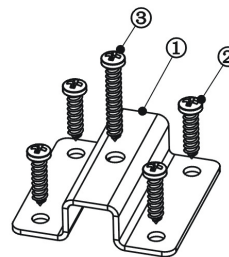
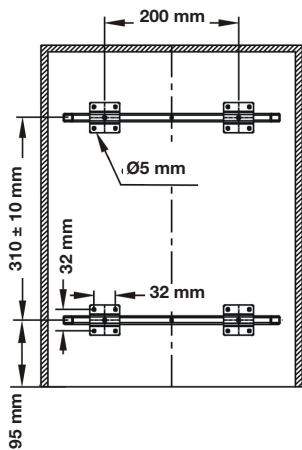
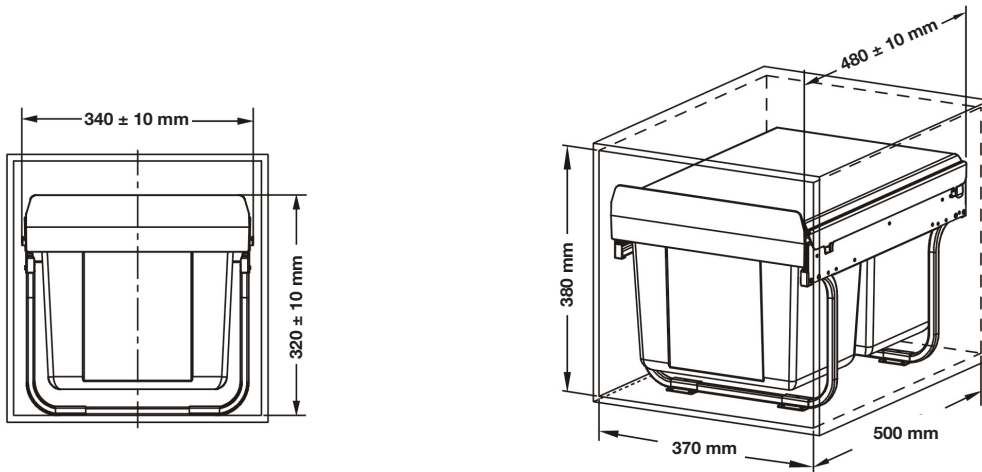


**OSKA H Waste Bin**  
**2 x 15 Ltr, Base mounted**

**Cat. No:**  
**503.06.550**

**Installation dimensions**

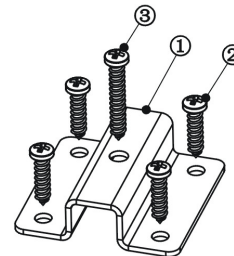
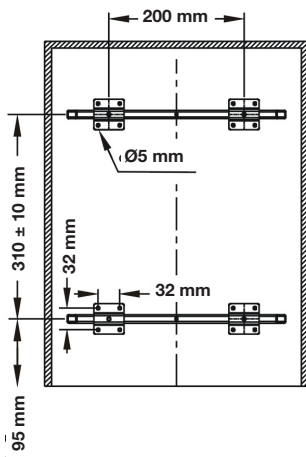
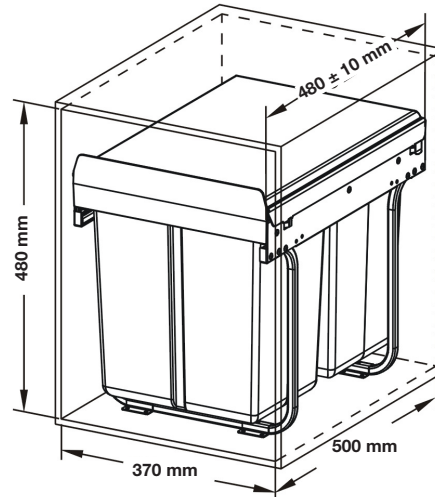
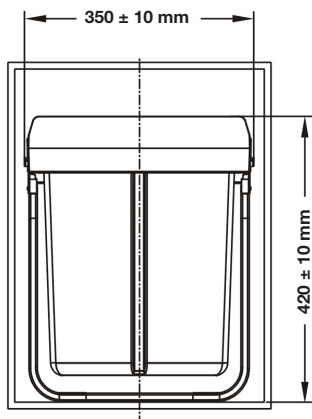


| BOM List |                  |        |
|----------|------------------|--------|
| 1        | Brackets         | 4 PCS  |
| 2        | 4 x 16 mm screws | 16 PCS |
| 3        | 4 x 25 mm screws | 6 PCS  |

**OSKA H Waste Bin**  
**2 x 20 Ltr, Base mounted**

**Cat. No:**  
**503.06.501**

**Installation dimensions**



| BOM List |                  |        |
|----------|------------------|--------|
| 1        | Brackets         | 4 PCS  |
| 2        | 4 x 16 mm screws | 16 PCS |
| 3        | 4 x 25 mm screws | 6 PCS  |