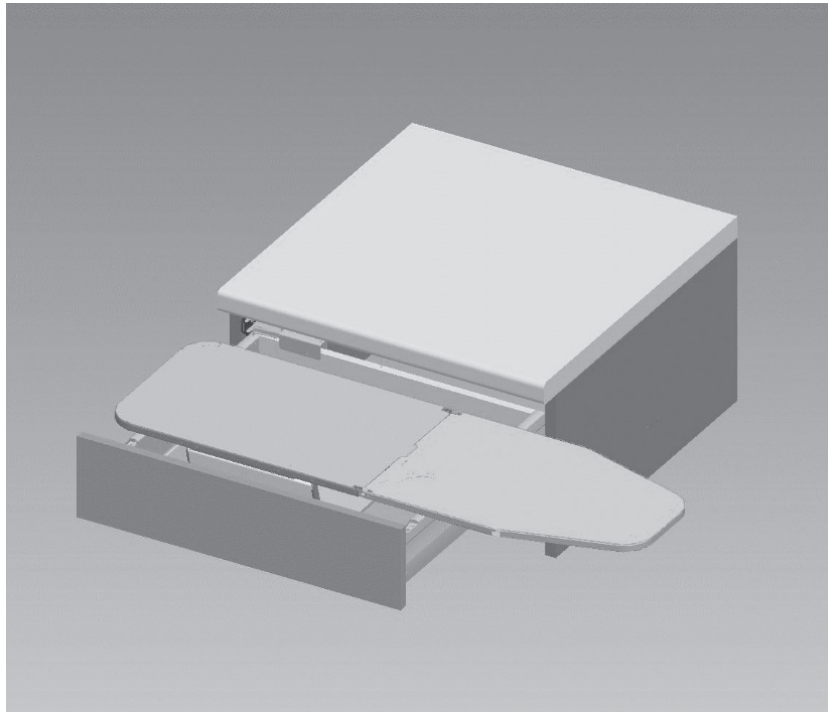


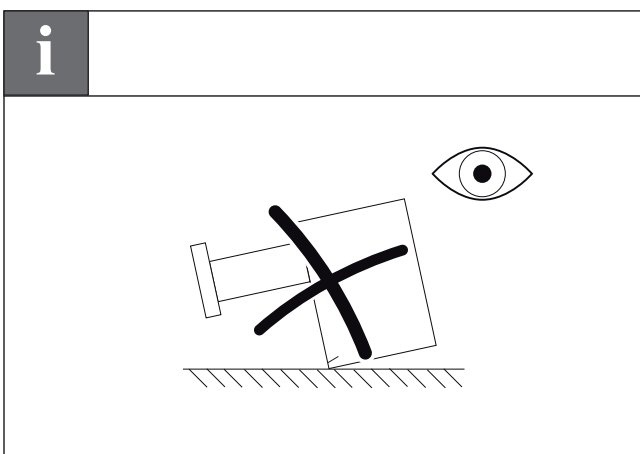
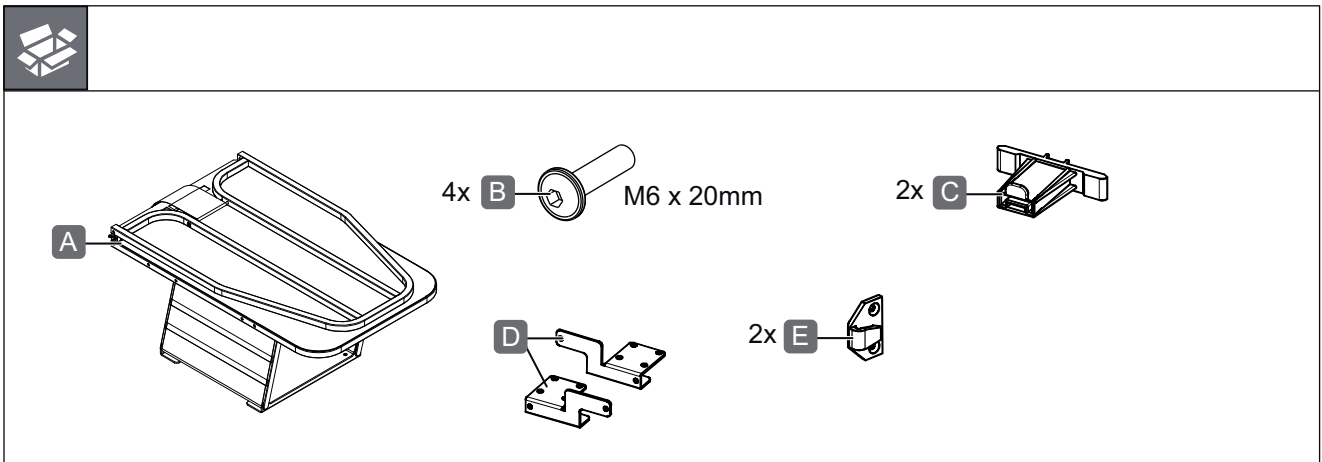


Ironfix

568.60.963
568.60.962
568.60.961
568.60.964
568.60.960



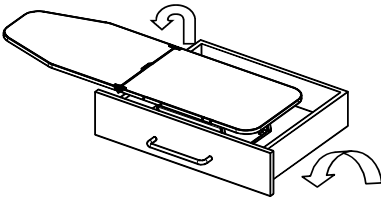
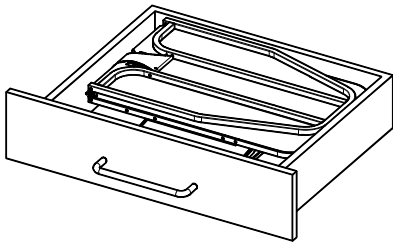
732.25.060



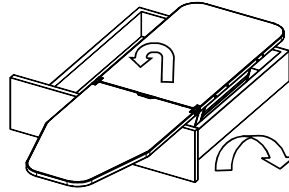
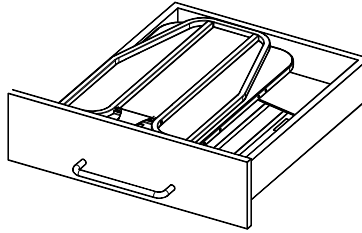
HDE 06.06.2012

i

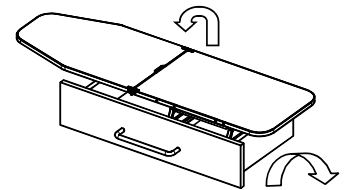
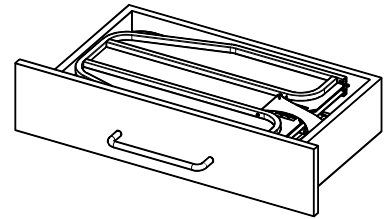
A



B



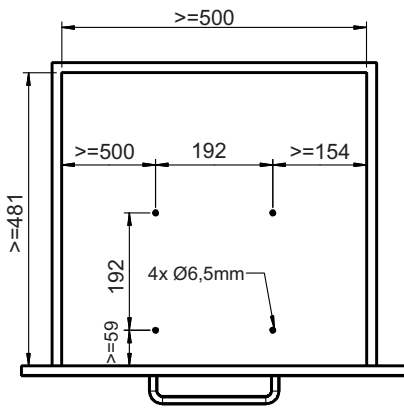
C



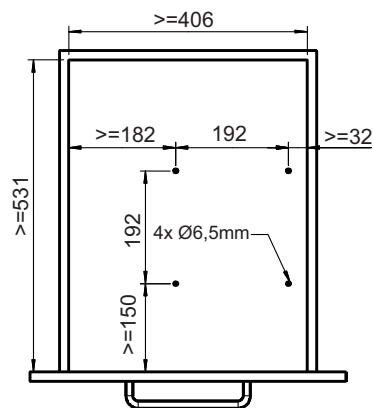
i

„mm“

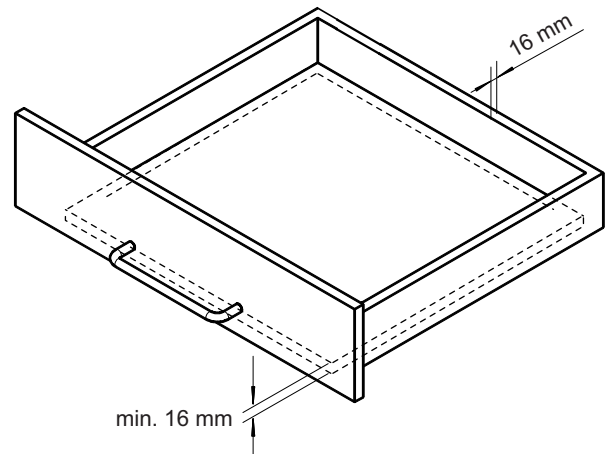
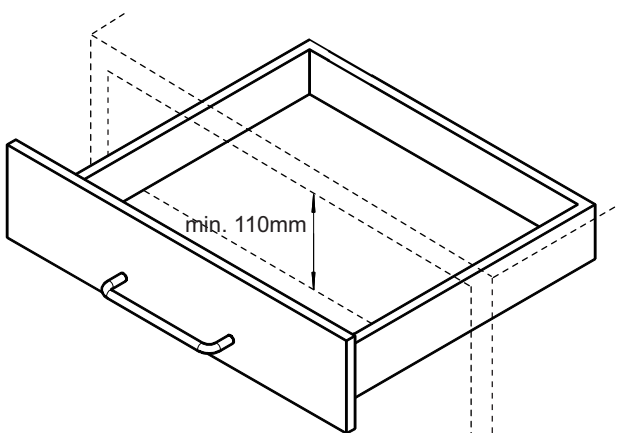
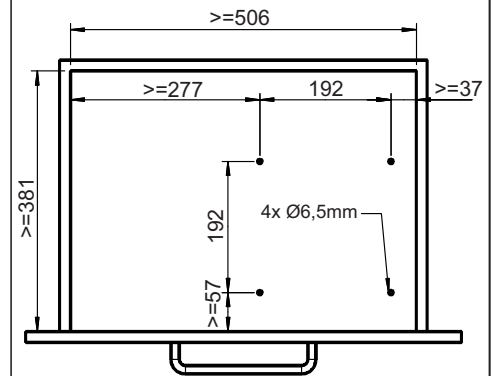
A

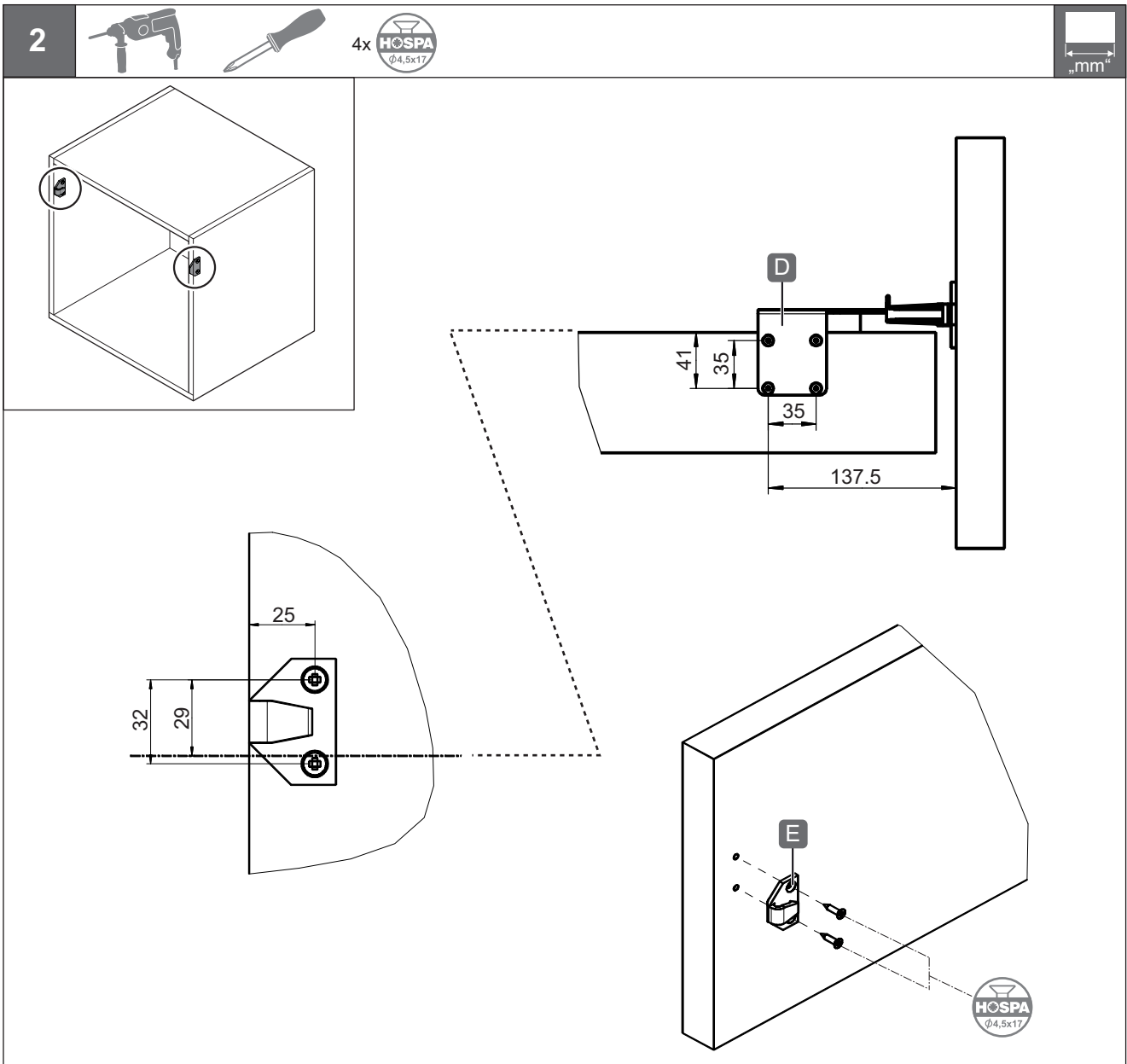
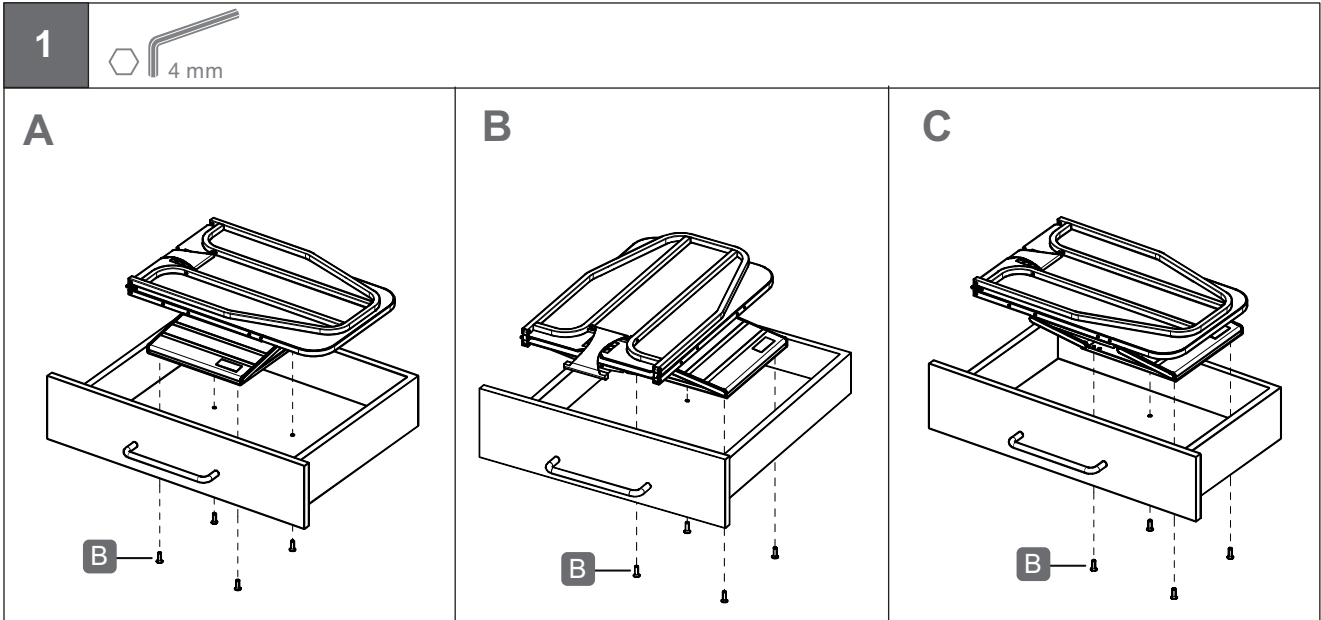


B



C

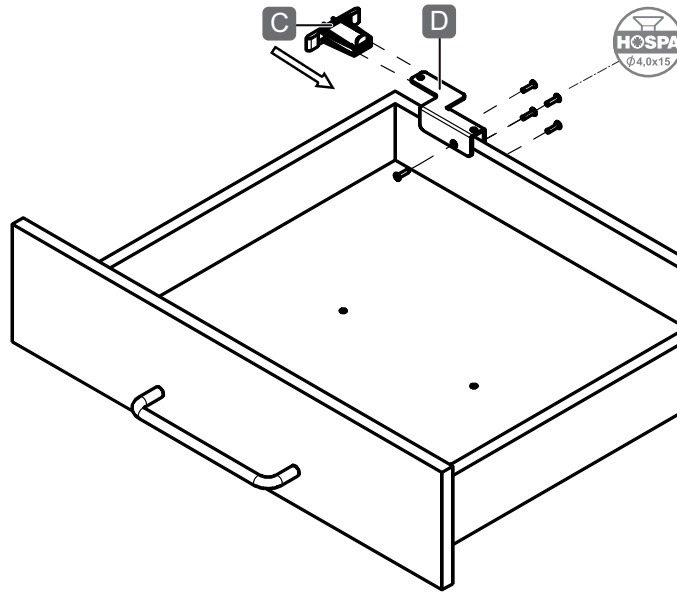




5



10x  $\varnothing 4,0 \times 15$



6

