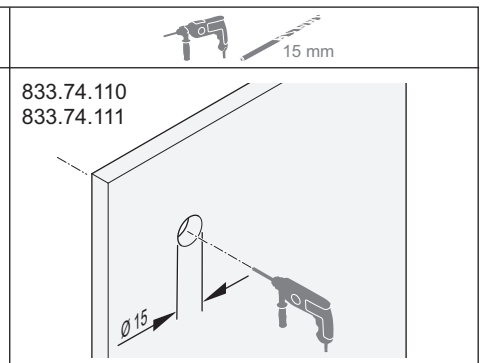
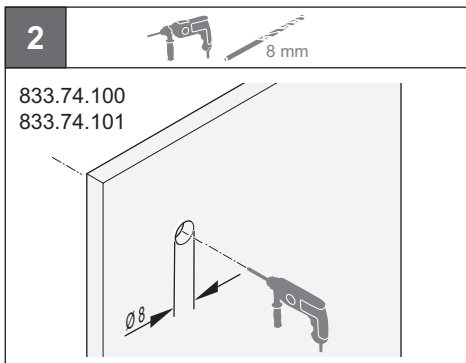
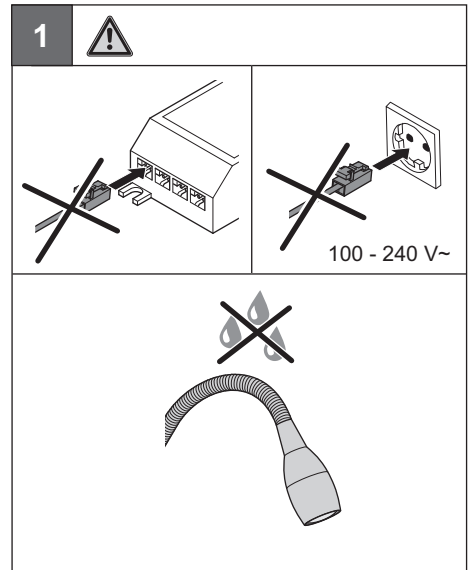
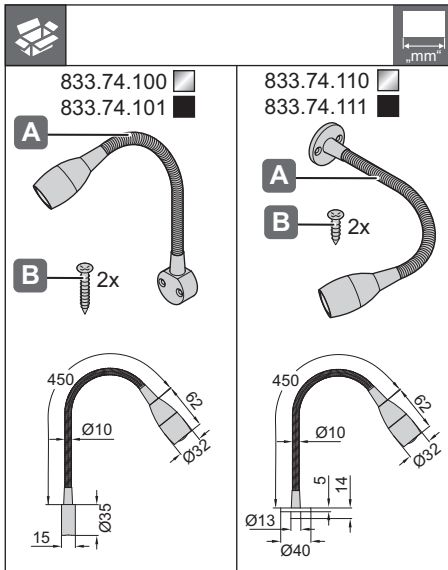




LED 2018

833.74.100 833.74.110
833.74.101 833.74.111

12V System	K	W	T _A	mm	mm	
833.74.100 833.74.101	3000 K	2 W	-20 °C – +35 °C -4 °F – +95 °F	Ø 42 x 557	≤ 52 x 567	833.74.900 833.74.901 833.74.913 833.74.914 833.74.917 833.74.918
833.74.110 833.74.111				Ø 42 x 536	≤ 52 x 546	



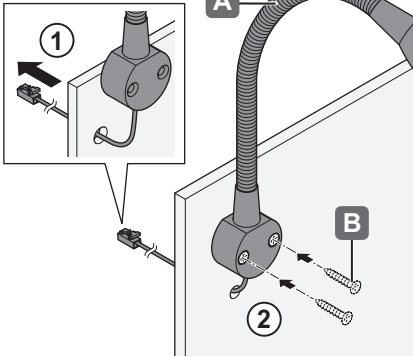
HDE 29.11.2012

732.28.207

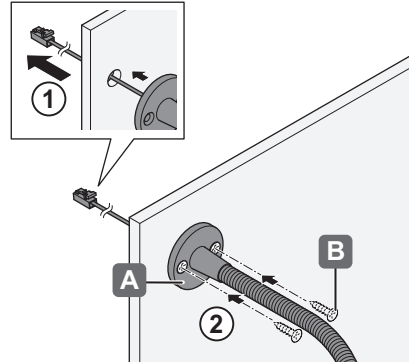
3



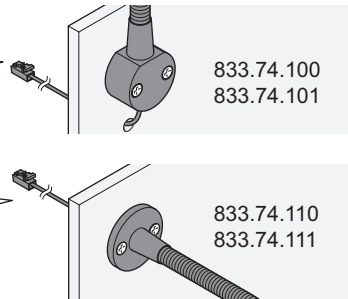
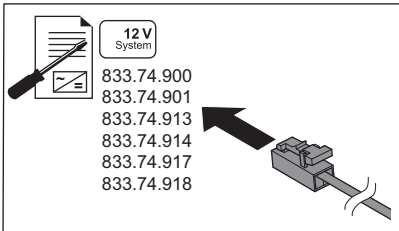
833.74.100
833.74.101



833.74.110
833.74.111



4



i

