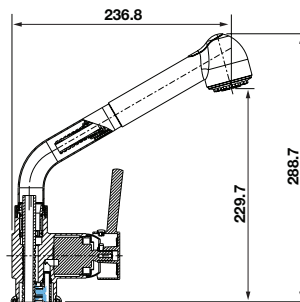


# HÄFELE MIXER TAPS WATER EFFICIENT TAPWARE

## INSTALLATION & MAINTENANCE INSTRUCTIONS

### Kitchen Sink Mixer – 569.40.220



*Plumbers – Please leave these instructions with the tap or homeowner after installation.*

### Specifications

General Note: It is a requirement that licensed plumber's carry out all tapware installations. All installations must comply with the relevant requirements of AS/NZS 3500 and local plumbing codes.

### Pressure

- > Maximum Hydrostatic Pressure – 500 kpa (AS/NZS 3500)
- > Minimum Hydrostatic Pressure – 150 kpa
- > Where hydrostatic pressure exceeds the maximum stated above, pressure-limiting valves must be installed.

### Temperature

- > Maximum Water Temperature – 80°C
- Note: For optimum performance, hot and cold inlet water pressure should be equal.

### Special Notes

Installation of aerators containing flow regulators: Upon re-installation of the aerator after flushing, the aerator casing should be tightened to prevent removal by hand.

Ceramic Cartridges – Warranty claims will not be honoured where the ceramic cartridge has malfunctioned due to the presence in the water supply of;

- > Copper tube pieces, sand, dirt or stones
- > Thread tape
- > Do not remove the cartridge from the body as it has been pressure tested and tightened to a specific torque.

Flow restrictions may be fitted in place of the standard aerator; however this mixer tap should not be attached via the end of the spout to any additional water control device eg. Dishwasher, water filter with shut-off device.

Recommended bench hole size – Ø35mm

### Warranty

This product is covered by a comprehensive warranty and service. For details of terms of conditions please refer to the warranty packed with this Mixer Tap.

## Installation

### FLUSH SUPPLY LINES – It is essential the supply lines are flushed prior to installing.

1. Turn off the main supply.
2. Firmly tighten the flexible hoses into the base of the body. If the hoses have red and blue indicators make sure they are connected to the correct inlet hole in the mixer base. The Hot inlet is the closest hole to the H stamp.
3. Screw the fixing bolt into the mixer base.
4. Place the base washer over the end of the hoses. (Note: The fixing kit in most cases contains 2 base washers – Select the one that suits your mixer and discard the other.) Feed the hoses through the sink hole, one at a time, and position the base washer between the sink and the mixer base.
5. (Under the sink) Position the fixing plate washer and plate onto the fixing bolt. The flexible hoses should be towards the front so that the lever handle points towards the user.
6. Lock the mixer onto the sink by tightening the fixing nut onto the fixing plate.
7. Connect the flexible hoses to the supply lines, making sure the hot water is connected to the hot water hose. The installation of stop taps and in-line filters are recommended to ensure a cleaner flow of water to the mixer.
8. Prior to introducing the mains water supply, open the lever handle in the mixed position, midway between the full hot and full cold. Remove the aerator from the end of the spout. Then introduce the mains water to flush the supply lines.
9. Re-install the aerator (see note above).

## Maintenance

### Cleaning

To clean your mixer use a soft cloth with warm soapy water. Do not use harsh chemical, abrasive or acidic cleaning agents.

### Replacing the Ceramic cartridge

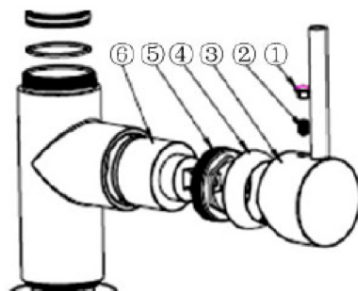
The mixer will leak if the ceramic cartridge has been chipped or damaged. This usually occurs when the disks clash with foreign objects in the water supply such as; rocks, sand or off-cut pieces of copper tubing. In-line strainers can prevent this damage.

To install a new cartridge for this Mixer Tap Art. no. 569.40.999 – 40mm cartridge:

Please note that before replacement of the cartridge can take place, you MUST turn off the water at the mains tap.

### Legend

1. Cover Cap
2. Alan Screw
3. Handle
4. Rosette Flange
5. Gland Nut
6. Cartridge



### Process

1. Remove the cover cap (1) from the handle to get access to the alan screw (2) that secures the handle to the head of the cartridge.
2. Use the alan key provided and unscrew the alan screw (2) enough to remove the handle. It will slide off the cartridge.
3. Unscrew the rosette flange (4).
4. Use a spanner or wrench to remove the gland nut (5) that holds the cartridge in place.
5. Remove the cartridge (6) and discard.
6. Replace the old cartridge (6) with the new one. Remove any foreign material that could interfere with the seal required when inserting the new cartridge prior to replacing the gland nut (5) Care should be taken to ensure the cartridge is correctly set into the mixer body.
7. Carry out steps 1 – 4 in reverse.