

USER MANUAL

INALTO

INALTO.HOUSE

248L Integrated Refrigerator

MODEL CODES
IIF241



FOR ALL AUSTRALIAN HOMES

V3.6 | 1122

Welcome

Congratulations on purchasing your new Integrated Refrigerator!

Residentia Group Pty Ltd

ACN. 600 546 656
165 Barkly Avenue
Burnley, Victoria 3121
Australia

—

Applico Ltd

635 Great South Road
Penrose, Auckland 1061
New Zealand

—

InAlto

www.inalto.house

 /inalto.house

 /inalto.house

The InAlto brand is proudly distributed within Australia by Residentia Group Pty Ltd and within New Zealand by Applico Ltd.

Please refer to the warranty card at the rear of this manual for information regarding your product's parts and labour warranty, or visit online at:

→ www.residentia.group

→ www.applico.co.nz

→ www.inalto.house

Both Residentia Group & Applico are customer obsessed and our Support Teams are there to ensure you get the most out of your appliance. Should you want to learn more about recommended usage, the various features of your appliance, and importantly taking care of the unit when cleaning, our Support Teams are here to help.

Telephone Contacts:

→ AU: 1300 11 4357

→ NZ: 0800 763 448

It is important that you read through the following use and care manual thoroughly to familiarise yourself with the installation and operation requirements of your appliance to ensure optimum performance.

Again, thank you for choosing an InAlto appliance and we look forward to being of service to you.

SCAN ME



Scan to Register your InAlto Appliance or go to:

→ AU: www.inalto.house/registration

→ NZ: www.inalto.house/nz/registration

By registering your product, you will receive advanced support, stay updated with the latest from InAlto and find out about new products and promotions.

Contents

<u>2</u>	<u>Welcome</u>
<u>4</u>	<u>Safety Warnings</u>
<u>8</u>	<u>Getting Started</u>
<u>9</u>	<u>Product Overview</u>
<u>9</u>	<u>Operation Instructions</u>
<u>11</u>	<u>Usage Tips</u>
<u>11</u>	<u>Energy Saving Tips</u>
<u>12</u>	<u>Installation</u>
<u>22</u>	<u>Reversing the Door</u>
<u>24</u>	<u>Maintenance & Cleaning</u>
<u>26</u>	<u>Troubleshooting</u>
<u>29</u>	<u>Product Specifications</u>
<u>30</u>	<u>Your Receipt</u>
<u>31</u>	<u>Purchase Details</u>
<u>32</u>	<u>Warranty Information</u>

Customer Care

InAlto recommends the use of original spare parts. When contacting our customer service team, please ensure that you have the following information at hand (which can be found on your appliances' rating plate).

- Model Number
- Serial Number

Safety Warnings

IMPORTANT SAFETY INSTRUCTIONS READ CAREFULLY AND KEEP FOR FUTURE REFERENCE

Read this manual thoroughly before first use, even if you are familiar with this type of product. The safety precautions enclosed herein reduce the risk of fire, electric shock and injury when correctly adhered to.

Make sure you understand all instructions and warnings.

Keep the manual in a safe place for future reference, along with the completed warranty card and purchase receipt. If you sell or transfer ownership of this product, pass on these instructions to the new owner.

Always follow basic safety precautions and accident prevention measures when using an electrical appliance, including the following:

IMPORTANT: Pay particular attention to messages that contain the words **DANGER**, **WARNING** or **CAUTION**. These words are used to alert you to a potential hazard that can seriously injure you and others. The instructions will tell you how to reduce the chance of injury and let you know what can happen if the instructions are not followed.



WARNING
RISK OF FIRE / FLAMMABLE MATERIALS

This symbol alerts you to take care as this appliance contains a flammable refrigerant (isobutane) and insulation blowing gas (cyclopentane). Do not expose it to high heat, sparks and open flames.

The refrigerant isobutane (R600a) is contained within the refrigerant circuit of the appliance, a gas with a high level of environmental compatibility, which is nevertheless flammable. During transportation and installation of the appliance, ensure that none of the components of the refrigerant circuit become damaged.

WARNING Do not damage the refrigerant circuit! Never use an appliance with a damaged refrigerant circuit! If the refrigerant circuit becomes damaged, avoid proximity to open fires and all types of heat and ignition sources. Thoroughly ventilate the room in which the appliance is located.

DANGER: It is hazardous for anyone other than an authorised service person to service this appliance. In Queensland, the authorised service person MUST hold a Gas Work Authorisation for hydrocarbon refrigerants to carry out servicing or repairs which involve the removal of covers.

Usage Conditions and Restrictions

- **Domestic use only:** This appliance is intended for indoor household use only. It is not intended for commercial, industrial or outdoor use. It is not intended for use in a recreational vehicle.
- **Purpose:** Do not use this appliance for anything other than its intended purpose. Other uses are not recommended and may cause fire, electric shock or personal injury.
- **Attachments:** The use of attachments is not recommended by the appliance manufacturer and distributor as they may be hazardous.
- **Improper use:** Damage due to improper use, or repairs made by unqualified personnel will void your warranty. We assume no liability for any eventual damages caused by misuse of the product or noncompliance with these instructions.

-
- **WARNING** Do not use mechanical devices or other means to accelerate the defrosting process, other than those recommended by the manufacturer.
 - **Usage restriction:** This appliance is not intended for use by persons (including children) with reduced physical, sensory or mental capabilities, or lack of experience and knowledge, unless they have been given supervision or instructions concerning use of the appliance by a person responsible for their safety.
 - **Children:** Supervise young children to ensure they do not play with the appliance. Never allow children to operate, play with or crawl inside or on top of the appliance.
 - **WARNING** Do not use electrical appliances on top or inside the appliance, unless they are of the type recommended by the manufacturer.
 - **Explosive or flammable substances:** Do not store explosive substances such as aerosol cans with a flammable propellant in this appliance. Do not store or use petrol or any other flammable vapours and liquids in the vicinity of this or any other appliance. Do not use such substances for cleaning the appliance. The fumes can create a fire hazard or an explosion.
 - **Damage:** Do not use the appliance if the power cord, plug or the appliance itself is damaged. If the cord is damaged, contact the after sales support line and have the cord replaced by qualified personnel in order to avoid a hazard.
 - **WARNING** Do not damage the refrigerant circuit.
 - **Do not modify:** Do not attempt to alter or modify this appliance in any way.
 - **Repair:** Do not attempt to repair or replace any part of this appliance unless it is specifically recommended in this manual. All other servicing should be referred to a qualified technician. Contact the after sales support line for advice.
 - **Using:** The gaps between refrigerator doors and between doors and refrigerator body are small. Do not put your hand in these areas. Please be gentle when closing the refrigerator door to avoid falling articles.
Do not pick up frozen items with wet hands in the freezing chamber when the refrigerator is running, especially metal containers in order to avoid skin abrasions.
 - **Storage:** This product is household refrigerator/freezer and shall be only suitable for the storage of foods. According to national standards, household freezer shall not be used for other purposes, such as storage of blood, drugs or biological products.
 - **WARNING** Do not locate multiple portable socket-outlets or portable power supplies at the rear of the appliance.

Safety Warnings (Continued)

Electrical Safety

- **Voltage:** Before connecting and turning on the appliance, ensure the electrical voltage and circuit frequency correspond to that indicated on the appliance rating label.
- **Earthing:** This appliance should be properly earthed for your safety. The power cord of this appliance is equipped with a three-prong plug for use in standard wall outlets to minimise the possibility of electrical shock. Do not modify the cord and/or plug provided with the appliance. Improper use of the earthed plug can result in the risk of electric shock.
- **Connection:** This appliance requires a standard 220-240 V AC 50Hz electrical outlet. Do not overload the electrical circuit.
- **Power socket:** Please use a dedicated power socket and do not share the power socket with any other electrical appliances. The power plug should be firmly connected to the socket or else fires might be caused.
- **Power cord:** Do not kink or damage the power cord; do not leave it exposed or dangling. Secure it at the back of the appliance so no one steps on or places anything on the cord or against it. Keep the cord out of reach of children. When moving the appliance, make sure not to damage the power cord. Do not pull the power chord when pulling out the plug, firmly grasp and pull it out from the socket directly.
- **WARNING** When positioning the appliance, ensure the supply cord is not trapped or damaged.
- **Power Failure:** Please pull out the plug if there is a power failure. Do not connect the refrigerator back to the power supply for the next five minutes to prevent damages to the compressor due to successive starts.
- **Auxiliary Items:** Do not use an inverter, adaptor or extension cord with this appliance. If the cord is too short, have a qualified electrician install an outlet near the appliance. Use of an extension cord and an inverter can negatively affect the performance of the unit.
- **Protect from moisture:** To protect against the risk of electric shock, do not immerse the unit, cord or plug in water or spray it with any other liquid. Do not connect or disconnect the electric plug when your hands are wet. Turn the power switch off before removing the plug from the socket.
- **WARNING Disconnect!** To reduce the risk of fire, electric shock or personal injury, always unplug the appliance from the socket when not in use, when moving and before cleaning or servicing. Never unplug the unit by pulling the power cord. Always grip the plug firmly and pull straight out from the power point.
- **Electrical work:** Any electrical work required for the installation of this appliance should be carried out by a qualified electrician.

Never use this appliance with a damaged refrigerant circuit! If the coolant circuit becomes damaged, avoid proximity to open fires and all types of heat sources. The room in which the appliance is located should be ventilated by opening all the doors and windows in case of leakage of flammable gases. Do not unplug the refrigerator and other electrical appliances as the spark may cause a fire.

Installation

Heavy: This appliance is heavy, take care when moving it. To avoid back or other injury, consider a two person lift or mechanical aid when installing it. Failure to do so can result in back or other injury.

Damage: When unpacking, check the appliance carefully for damage. If it is damaged, do not install the appliance and you must report it within 7 days if you wish to claim for damage/marks under the manufacturer's warranty. This does not affect your statutory rights. Contact our after sales support centre for advice on examination or return of the damaged appliance.

Protect from moisture: Install the appliance in an indoor area protected from wind, rain, water spray or drips.

Protect from heat: Do not install the appliance next to an oven, grill or other source of high heat, or where it will be exposed to direct sunlight for prolonged periods of time.

WARNING Ventilation: To ensure proper ventilation, keep any ventilation openings, in the appliance enclosure or in the built-in structure, clear of obstructions. Ensure adequate air circulation around the appliance to prevent overheating.

Level: Install the appliance level in order to ensure proper operation.

Cleaning and Maintenance

Disconnect: Unplug the appliance before cleaning or servicing. Failure to do so can result in electric shock, injury or death. Do not connect or disconnect the plug when your hands are wet.

Flames: Do not let open flames or ignition sources enter the appliance.

Flammable/explosive substances: Never clean this appliance with flammable fluids. Do not store or use volatile, flammable or explosive propellants or liquids in or close to this or any other appliance. The fumes can create a fire hazard or explosion.

Solvents: Do not use solvent based cleaning agents or abrasives on the interior as these may damage or discolour the surfaces of the appliances.

WARNING! Do not use mechanical devices or other means to accelerate the defrosting process. Never use a sharp or metal instrument to remove frost or clean the appliance. Use a plastic scraper, if necessary.

Service: Do not attempt to repair, modify or replace any part of the appliance unless specifically recommended in this manual. Refer all other servicing to a qualified technician, or contact the after sales support line for advice on examination or repair of the appliance.

Responsible disposal

Note: At the end of its working life, do not throw this appliance out with your household rubbish. Electrical and electronic products contain substances that can have a detrimental effect on the environment and human health if disposed of inappropriately. Observe any local regulations regarding the disposal of electrical consumer goods and dispose of it appropriately for recycling and recovery of the refrigerant and blowing agent. Contact your municipal authorities for advice on recycling facilities in your area.

When the appliance is scrapped, disassemble the door and take out the shelves to prevent climbing or entrapment of any children.

WARNING! This refrigeration appliance contains flammable refrigerants and insulation blowing gases, which must be removed before disposal. Contact your municipal authorities for any codes or regulations concerning the disposal of such materials.



Disposal

Do not dispose this product as unsorted municipal waste. Collection of such waste separately for special treatment is necessary. This marking indicates that this product should not be disposed with other household wastes throughout the EU. To prevent possible harm to the environment or human health from uncontrolled waste disposal, recycle it responsibly to promote the sustainable reuse of material resources. To return your used device, please use the return and collection systems or contact the retailer where the product was purchased. They can take this product for environmental safe recycling. For more detailed information about treatment, recovery and recycling of this product, please contact your local city office, your household waste disposal service or the shop where you purchased the product.

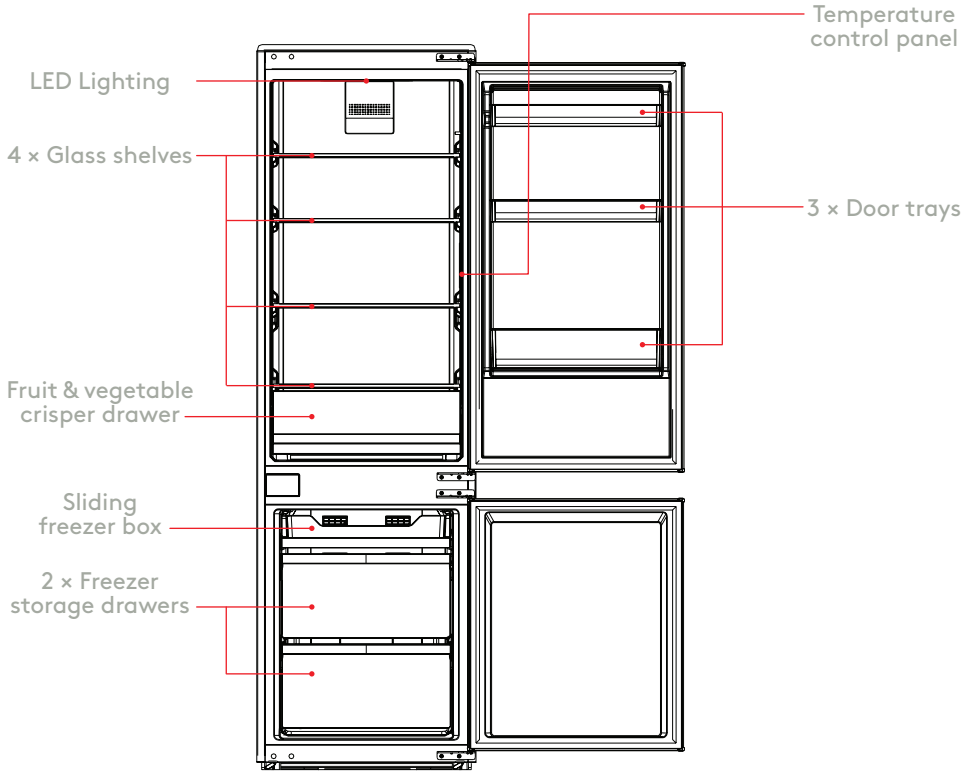
Getting Started

Unpacking Your Fridge

- **Packaging materials:** This appliance has been packaged to protect it against transportation damage. Remove all packaging materials, bottom cushions, foam pads and tapes from around and inside the appliance, tear off the protective film on the doors and refrigerator. Keep the original packaging carton and materials in a safe place. It will help prevent any damage if the product needs to be transported in the future, and you can use it to store the appliance when it is not in use. In the event the carton is to be disposed of, please recycle all packaging materials where possible.
- **WARNING! Suffocation:** Plastic wrapping can be a suffocation hazard for babies and young children, so ensure all packaging materials are out of their reach and disposed of safely.
- **Power cord:** Unwind the power cord to its full length and inspect it for damage. Do not use the appliance if it or its cord have been damaged or are not working properly. In case of damage, contact our after sales support line for advice on examination, repair or return of the damaged product.
- **Read the manual:** Read this manual to familiarise yourself with the appliance. Pay particular attention to the safety instructions on the previous pages.
- **Clean:** To remove any dust from transit and storage, clean the interior and exterior surfaces of the appliance with lukewarm water and a soft cloth. Dry thoroughly. Important: do not use harsh or abrasive detergents or powders as these will damage the finish.

Product Overview

Your InAlto Integrated Refrigerator



Refrigerator Compartment

This compartment helps keep food for short-term storage and is suitable for storing a variety of fruits, vegetables, beverages and other food items ideally between 3 to 5 days.

Freezer Compartment

This low temperature helps keep food for long-term storage and is suitable for frozen food and ice.

Storage tips:

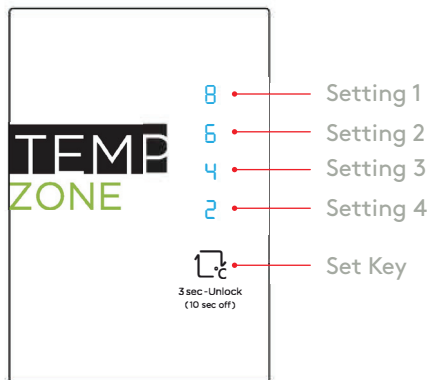
- Wait until hot food has cooled to room temperature before placing into the refrigerator.
- For food safety, we recommend sealing up any food before placing into the refrigerator.
- For quicker freezing and easy access, divide your meat and large items into smaller pieces before placing into the freezer compartment.
- The glass shelves can be repositioned up or down to suit your storage requirements.

Note:

- The diagrams in this user manual are for reference only. Your appliance may appear differently.
- Storage of too many items during operation after the initial connection of your appliance to power may adversely affect the freezing effect of the refrigerator.
- Do not block the air outlet or the freezing effect of the refrigerator will also be adversely affected.

Operation Instructions

The temperature control panel is located on the inside of your fridge on the right side.



Functions

- Set Key: Press this button to select the desired temperature setting of your refrigerator.
- Setting 1: 8° C
- Setting 2: 6° C
- Setting 3: 4° C
- Setting 4: 2° C

This image is for reference only.
Your appliance may appear differently.

Display

- Once initially powered on, the display screen will display in full for 3 seconds. The refrigerator will then default running according to setting 3.
- If there are no faults, your refrigerator's temperature will be displayed the actual temperature setting.
- In case of a failure, your refrigerator will display a fault indication with corresponding LED blinks. Refer to the **Fault Indication** section within the Troubleshooting section if you are experiencing a fault.

Temperature setting

Each time the Set Key button is pressed, the temperature setting will change one time. After the temperature setting has been completed, the refrigerator will run according to the set value after 30 seconds. The shift regulation is: Setting 1 → Setting 2 → Setting 3 → Setting 4 → Repeat.

Lock /Unlock

When the temperature control panel is in lock state, you are required to long press temperature setting key for 3 seconds to unlock the panel. All LEDs will blink for 2 seconds when panel is unlocked. When the temperature control panel is in the unlock state and there is no operation on control panel within 30 seconds, it will enter into lock state automatically.

Power off function

Entry mode

- In the unlocking state, press the Set Key for 10 seconds. When the display and control of the refrigerator are all off, the Set Key button will take effect when the key is released. After 30 seconds, the refrigerator will enter the power off function mode, all loads are turned off, and the display and control of the refrigerator will be all off in the power off mode.

Exit method

- In power off mode, press the Set Key to exit the power off mode and the refrigerator will return to normal control.

Intelligent auto-temperature control

Your freezer's temperature is automatically set between the -16--24° C range.

Usage Tips

- Do not store food uncovered in the fridge. Always use good quality, fridge-proof packaging to maintain food quality. Remove air from packages of solid food and seal bags tightly before freezing.
- Keep portions small to ensure they are frozen (and subsequently defrosted) rapidly.
- Make sure that fresh, unfrozen food packages do not touch food that is already frozen, thus avoiding a temperature rise in the frozen food.
- When freezing food, do not push food together too much, leave some space for air to circulate around each item. Do not place packages directly against the back wall.
- When buying frozen food, only buy quantities that you can store straight away; use an insulated container for your shopping and when you get home, place the food in the chilling compartment immediately.
- When storing pre-packed, commercially frozen food, follow the food manufacturer's instructions for storing the food in a home fridge or freezer. Do not exceed any storage times listed on the packaging.
- Once you have opened a packet of frozen food, re-wrap it airtight to prevent surface evaporation which causes drying or freezer burn.
- Do not place carbonated liquids such as bottles of fizzy drink in the freezer compartment as the container could explode under pressure and damage the chiller.
- Do not refreeze food once it has been defrosted.
- Frozen food which has thawed accidentally should either be used immediately or thrown away. Alternatively, if the food is uncooked and has not been completely defrosted, it may be cooked and then refrozen.
- **CAUTION:** Do not remove items from the freezer compartment if your hands are damp or wet as this could cause skin abrasions.
- The gaps between refrigerator doors and refrigerator body are small, be careful not to jam your fingers in these areas.
- Close the refrigerator door gently to avoid falling articles.
- To avoid frostbite, do not pick foods or containers with wet hands in the freezer when the refrigerator is running, especially metal containers.
- Do not place heavy objects on top of the refrigerator to prevent injuries of falling articles.

Energy Saving Tips

- The appliance should be placed in the coolest area of the room, away from heat producing appliances or heating ducts. Please avoid placement in direct sunlight.
- Let hot foods cool to room temperature before placing them in the appliance.
- Do not overload the appliance with unfrozen food as this may cause it to freeze slowly and risk food spoilage.
- Be sure to wrap foods properly and wipe containers dry before placing them in the appliance. This cuts down on frost building up inside in the unit.
- Please do not wrap items in aluminium foil, wax paper or paper towel. This materials interfere with cold air circulation, making the appliance less efficient.
- Organise and label food to reduce door openings and extended searches. Remove as many items as needed at one time, ensuring the unit is opened as few times as possible.

Installation

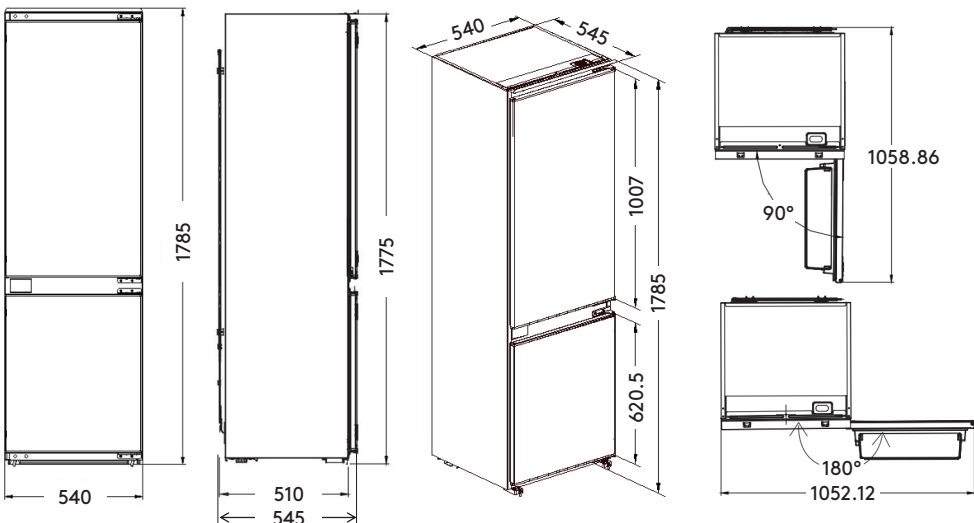
Placement

- **Transport:** Use a padded trolley to protect the refrigerator during moving.
- **Packaging materials:** Remove all packaging materials and bottom pad of the refrigerator and carry them indoors.
- **Two person installation:** Use two or more people to move and install the appliance. Failure to do so can result in injury.
- **Floor surface:** This appliance must be properly positioned on a dry, sturdy, level surface that is strong enough to support it when fully loaded.
- **Ventilation:** To ensure proper ventilation, keep any ventilation openings, in the appliance enclosure or in the built-in structure, clear of obstructions. Ensure adequate air circulation around the appliance to prevent overheating.
- **Clearances:** Ensure that air can circulate freely around the back of the cabinet, which is necessary to cool the compressor and condenser. Refer to the diagrams for cabinet installation requirements within this section.
- Keep the refrigerator still for half an hour before connecting it to a power supply.
- Run the refrigerator between 2-3 hours (or above 4 hours in summer when the temperature is higher) before placing fresh or frozen food into the appliance.

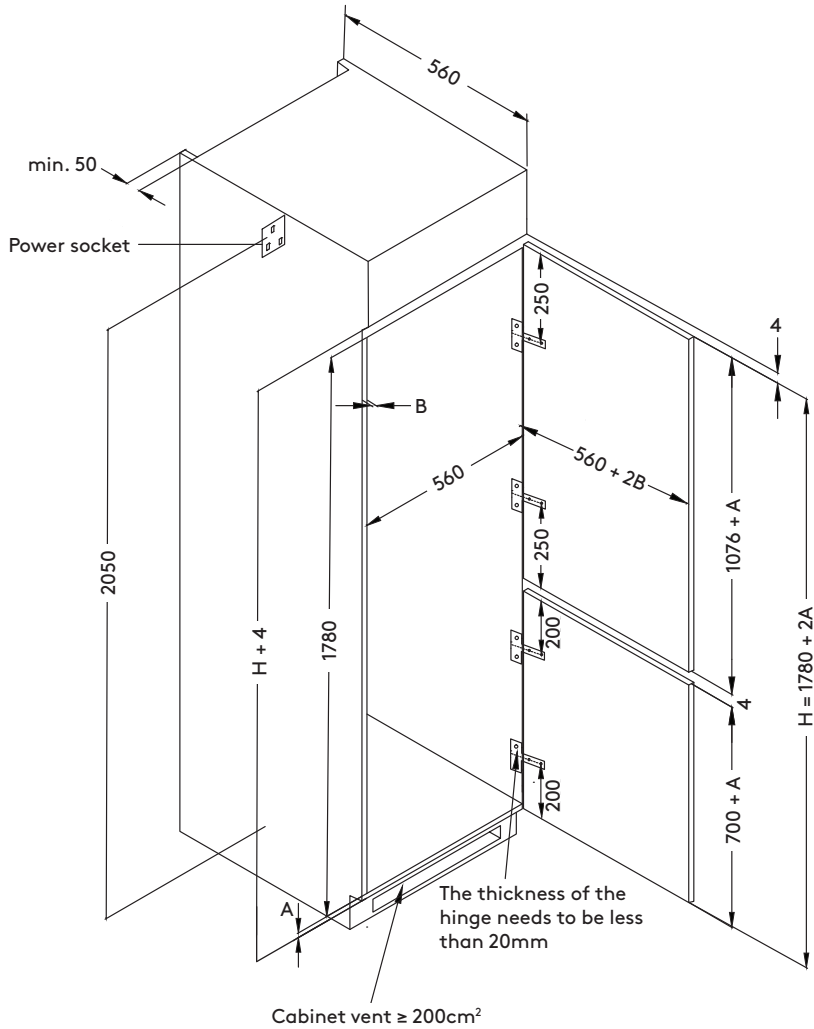
DO NOT install/use the appliance in the following locations/situations:

- In moist areas or areas of high humidity.
- In a recreational vehicle, or for use with an inverter.
- In direct sunlight, near heat sources, next to an open flame, cooking or heating appliance, or near any other source of high heat.
- Direct sunlight may increase the unit's power consumption. For best energy efficiency install the appliance in the coolest area of the room.
- In an area with extreme cold ambient temperatures.
- In an area with excessive moisture and high humidity. Make sure it is protected from elements such as wind, rain, water spray or drips.
- In an area where petrol or other explosive and/or flammable liquids or fumes are used or stored. The fumes can create a fire hazard or explosion.

Refrigerator dimensions (in millimetres)



Cabinetry dimensions (in millimetres)



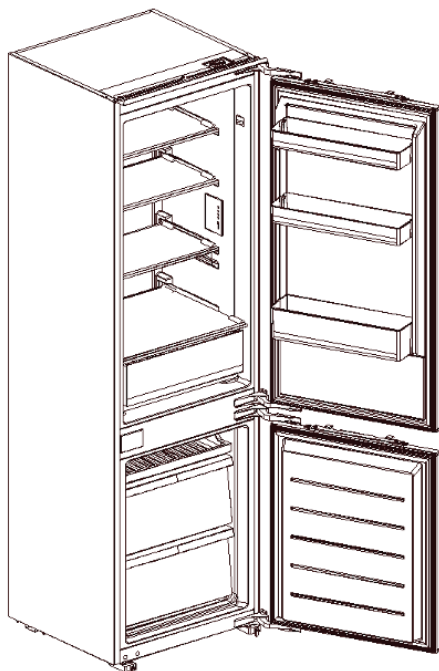
A = Thickness of cabinet plank
 B = Thickness of cabinet side plank
 $H = 1780 + 2A$

The images in this User Manual is for your reference only. Your actual product may appear differently.

Installation (Continued)

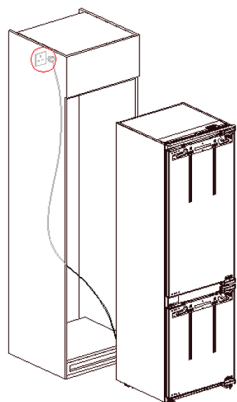
Placing refrigerator inside the cabinetry

1. Remove the refrigerator packing carton and take out the installation accessories inside the door.

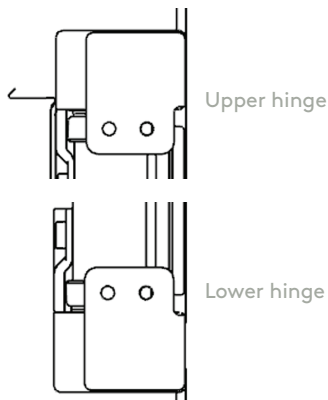


-  2 × Lower hinge decorative cover
-  2 × Upper hinge decorative cover
-  2 × Top baffle cover cap
-  1 × Sealing strip
-  1 × Decorative door cover
-  4 × Bottom supportive cover cap
-  4 × Under door decorative cover
-  4 × Under door support
-  4 × Middle hinge decorative cover
-  4 × Cross groove countersunk head tapping screw
-  4 × Cross groove flat round head tapping screw
-  24 × Cross groove countersunk head tapping screw
-  4 × Cross groove countersunk head tapping screw

2. Close the door. Take out the power cord and insert it into the socket or through the opening of the cabinet power cord. Then install the upper and lower hinge decorative cover on the side of the hinge respectively, as shown in the figure below.

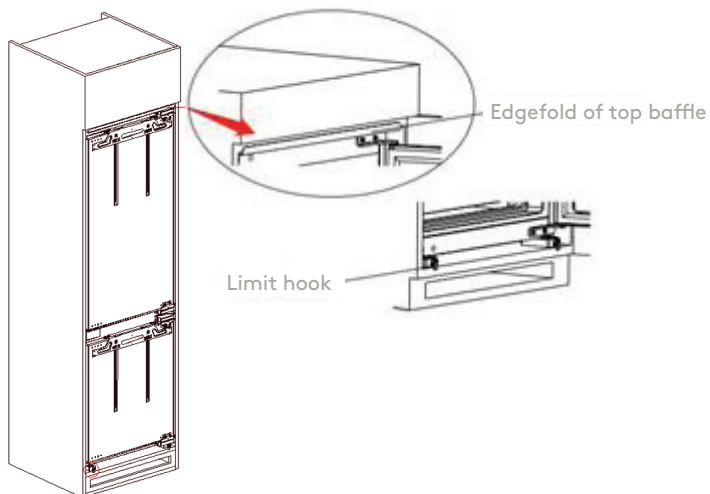


 Power cord plug

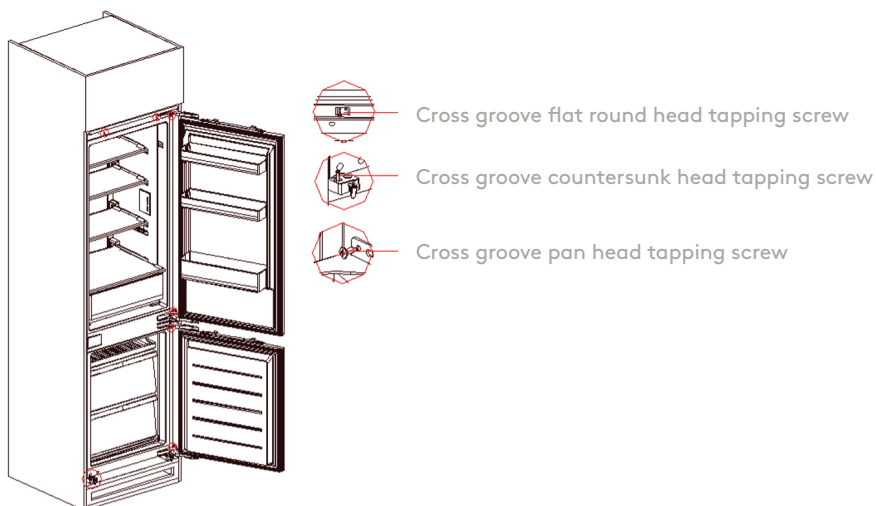


3. Push the refrigerator into the cabinet and adjust it to make sure the edge fold of the top baffle completely touches the top edge of the cabinet and that the limit hook of supporting leg completely touches the bottom edge of the cabinet.

Note: Do not kink or damage the power cord. A broken power cord may cause a fire.



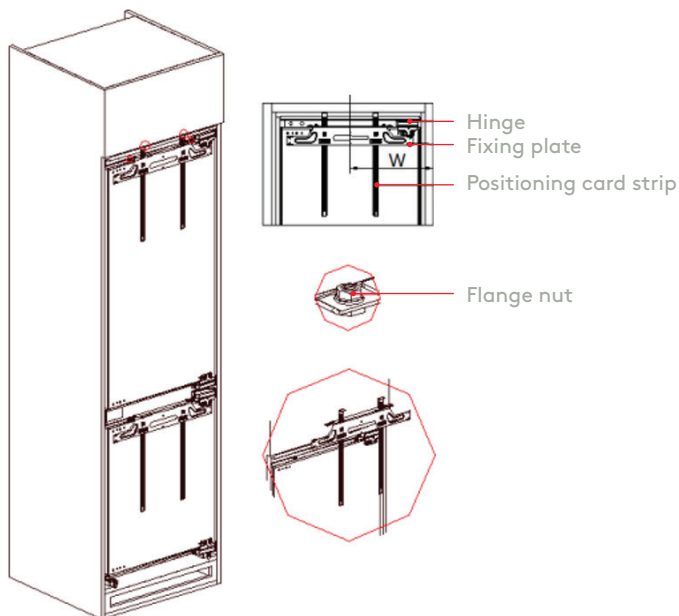
4. Fix the bottom support (use cross groove countersunk head tapping screw) and the top baffle (use cross groove flat round head tapping screw) of the refrigerator. Then open two doors and lock the hinge (use cross groove countersunk head tapping screw). Keep the refrigerator level and make sure there is no tilting during the fixing process.



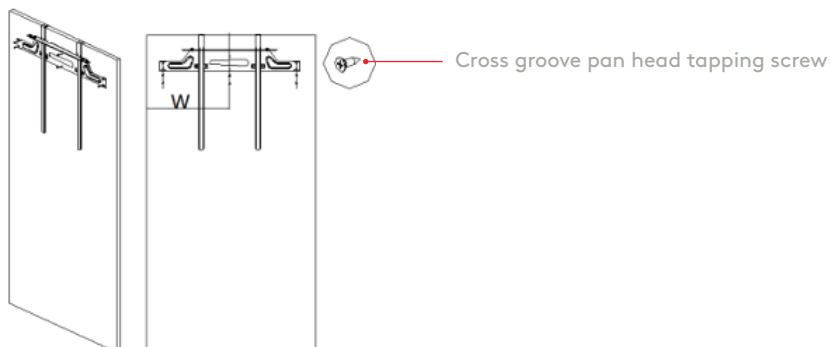
Installation (Continued)

Installation of the upper door

1. Close the upper door of the refrigerator. Take out the positioning card on the door of the refrigerator and place it in the positioning hole of the upper door fixing plate. Fit it with the upper end of the cabinet. Adjust the fixing plate component to the center and measure the distance W between the center of the middle fixing hole and the side edge of the cabinet. Keep the position of the positioning card unchanged, and loosen the flange nut of the fixing plate component. Remove the fixing plate component and positioning card strip.

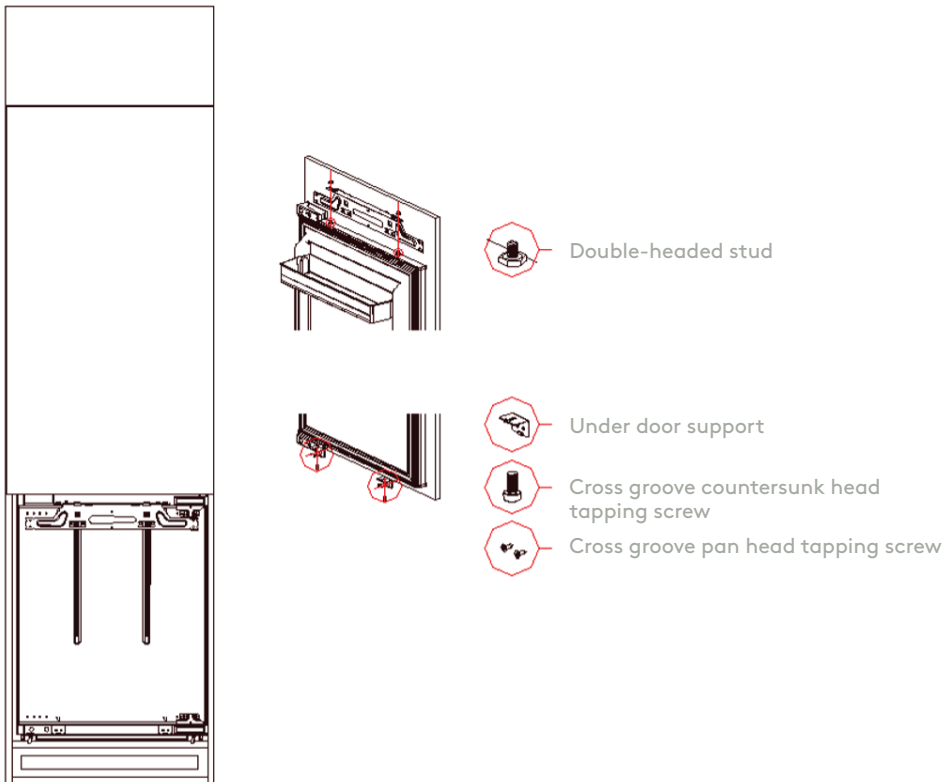


2. Turn over the upper door of the cabinet and make the positioning card strip cling to the upper end of the upper door. Fix the plate component and make the distance between the center line and the side edge of wooden door as W (shown below). Lock the plate component with screw and remove the positioning card strip after installation.



3. Place the assembled door on the double-headed stud of the refrigerator door body after installation, then close the door. Check the matching of wooden door and cabinet. Confirm the closing effect and fasten it with flange nut. Then install the support under the door. Lock the refrigerator door body and cabinet with cross groove countersunk head tapping screw and cross groove pan head tapping screw.

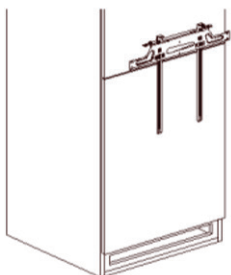
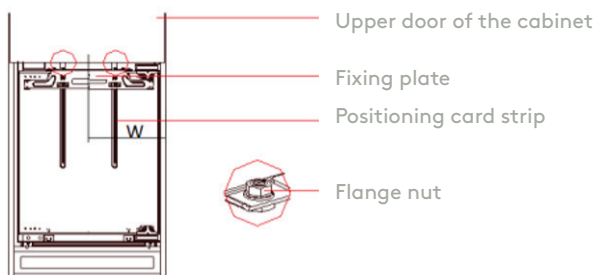
Refer to the **Adjusting the cabinetry door** section for instructions and method of adjusting the cabinetry door body.



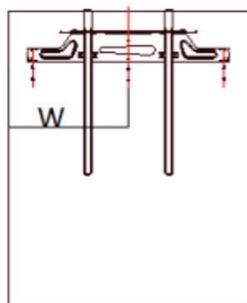
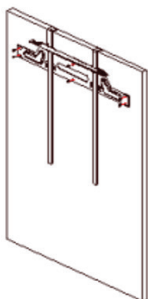
Installation (Continued)

Installation of the lower door

1. Close the lower door of the refrigerator, and take out the positioning card strip on the lower door of the refrigerator. Place it in the positioning hole of the lower door fixing plate, and fit it with the lower end face of the cabinet door. Adjust the fixing plate component to the center and measure the distance W (shown below) between the center of the middle fixing hole and the side edge of the cabinet. Keep the position of positioning card strip unchanged and loosen the flange nut of the fixing plate component. Remove the fixing plate component and positioning card strip.

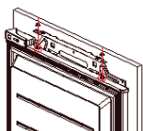


2. Turn over the upper door of the cabinet and make the positioning card strip cling to the upper end of the wooden door. Fix the plate component and make the distance between the center line and the side edge of wooden door as W (shown below). Lock the plate component with screw and remove the positioning card after installation.

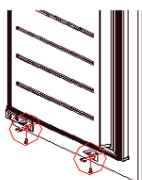
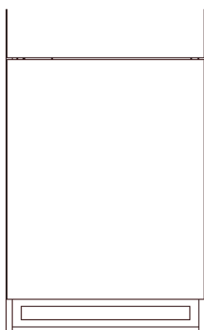


3. Place the assembled door on the double-headed stud of the refrigerator door body after installation, then close the door. Check the matching of wooden door and cabinet. Confirm the closing effect and fasten it with flange nut. Then install the support under the door. Lock the refrigerator door body and cabinet with cross groove countersunk head tapping screw and cross groove pan head tapping screw.

Refer to the **Adjusting the cabinetry door** section for instructions and method of adjusting the cabinetry door body.



Double-headed stud



Under door support



Cross groove countersunk head tapping screw



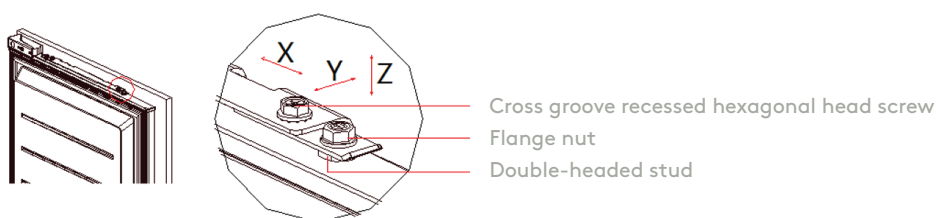
Cross groove pan head tapping screw

Installation (Continued)

Adjusting the cabinetry door

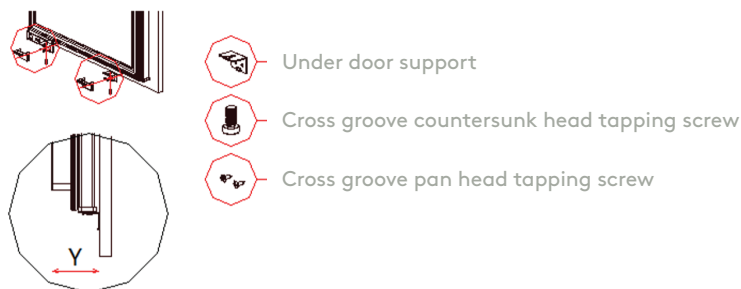
Adjustment of upper end of the cabinet door:

1. Adjust the adjustable height (Z) (about 5mm) of double nut with wrench.
2. Slightly loosen the flange nut, then move the door left and right to the adjustable left and right position (X) (about 5 mm). Tighten the flange nut after adjusting the door to the appropriate position.
3. Slightly loosen the cross groove pit hexagonal head screw, then move the door front and back to the adjustable front and back position (Y) (about 5 mm). Tighten the cross groove pit hexagonal head screw after adjusting the door to the appropriate position.



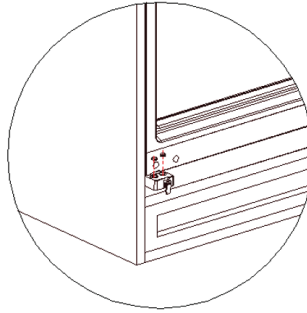
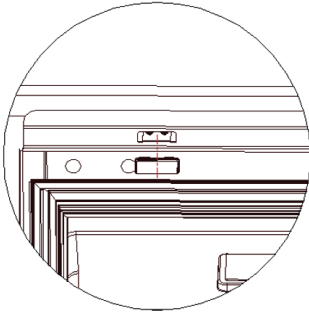
Adjustment of lower end of the cabinet door:

1. Slightly loosen the cross groove countersunk tapping screw, then move the door front and back to the adjustable front and back position (Y) (about 5 mm). Lock the cross groove countersunk head tapping screw after adjusting the door to the appropriate position which clings to the door of the cabinet.
2. The adjustment and installation of the door body is completed after locking the cross groove pan head tapping screw to lock the door body.

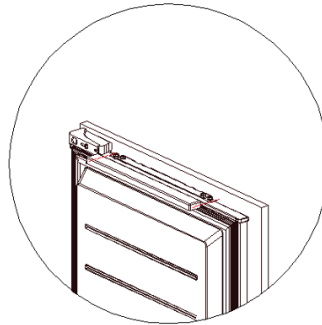
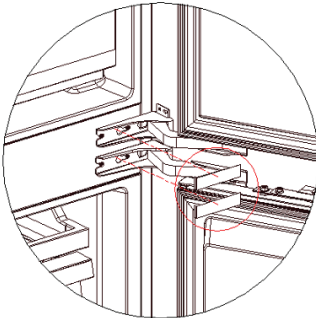


Installation final touches

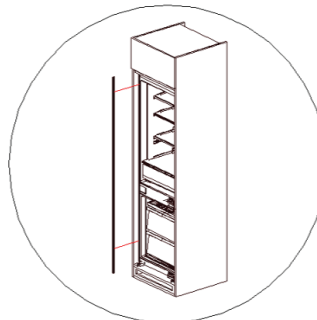
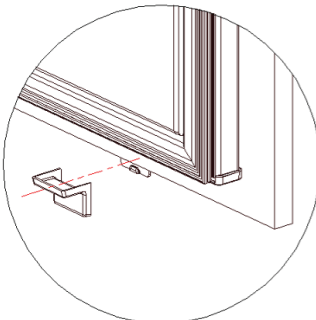
1. Install the top baffle cap.
2. Install the bottom support cap.



3. Install the hinge cap.
4. Install the decorative cover on the door.



5. Install the decorative cover under the door.
6. Install the sealing strip.

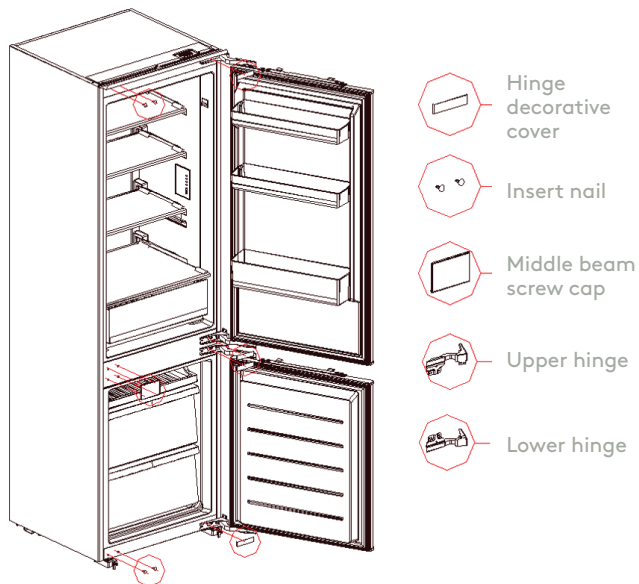


Reversing the Door

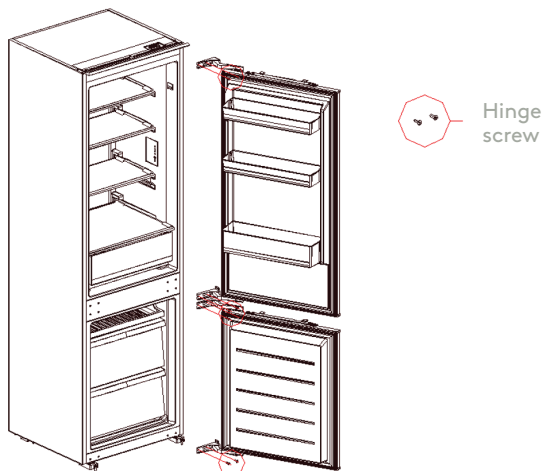
Reversing the door

The door opening direction is left opening by default as a factory standard. To change the door swing to right opening, follow these steps:

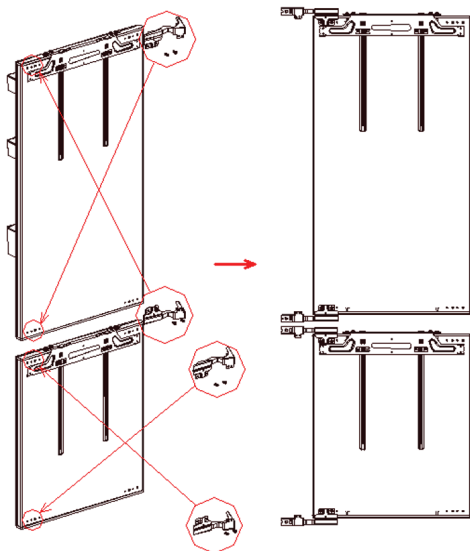
1. Open the door, then take off the hinge decorative cover, the insert nail of upper and lower beam and also the screw cap of middle beam.



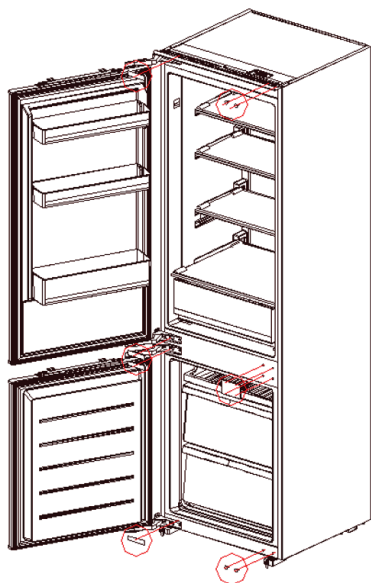
2. Remove the hinge screw, and then remove the upper door and the lower door in turn.



3. Remove the upper and lower hinges of the door, and fix the hinges on the door after changing over the position.



3. Install the door and lock it, then install the insert nail, the middle beam screw cap and the hinge cover, then the opening direction change of door is completed.



Maintenance and Cleaning

Defrosting

The refrigerator is made based on the air-cooling principle and thus has automatic defrosting function. Frost formed due to change of season or temperature may also be manually removed by disconnection of the appliance from power supply or by wiping with a dry towel.

WARNING Other mechanical devices or other means shall not be used to accelerate except those recommended by the manufacturer. Do not damage the refrigerant circuit.

Cleaning

WARNING Before cleaning the appliance, make sure it is switched off and disconnected from the power supply. Failure to do so can result in electric shock or injury.

- Dusts behind the refrigerator and on the ground shall be timely cleaned to improve the cooling effect and energy saving.
- Check the door gasket regularly to make sure there are no debris. Clean the door gasket with a soft cloth dampened with soapy water or diluted detergent.
- The interior of the refrigerator should be cleaned regularly to avoid odor.
- Please turn off the power before cleaning, remove all food, basket, container, etc.
- Wash the inside surfaces and the interior accessories with a damp, warm cloth moistened in a water and baking soda solution. The solution should be about 2 tablespoons of baking soda to 1 litre of water. Rinse and wipe dry with a soft cloth.
- Clean the outside of the unit with a damp, well wrung out cloth, keeping the area of the controls dry. Keep the lid gasket (seal) clean.
- For areas that are difficult to clean in the freezer (such as gaps or corners), it is recommended to wipe them regularly with a soft rag, soft brush, etc. and when necessary, combined with some auxiliary tools (such as thin sticks) to ensure no contaminants or bacterials accumulation in these areas.
- **Never use boiling water to accelerate defrosting as it may damage the plastic components.**
- Do not use hard brushes, clean steel balls, wire brushes, abrasives (such as toothpastes), organic solvents (such as alcohol, acetone, banana oil, etc.), boiling water, acid or alkaline items, which may damage the freezer surface and interior. Boiling water and organic solvents such as benzene may deform or damage plastic parts.
- After cleaning/defrosting, push the drain plug in.
- After everything is dry, place appliance back into service.
- Allow approximately 1-2 hours for the cabinet to cool down again (depending on the length of time the appliance was disconnected from the power).

WARNING

Never clean the unit with an abrasive, acid, oil or solvent based cleaning agent. Never use flammable fluids or sprays for cleaning as the fumes from these substances can create a fire hazard or explosion.

Out of Operation

- **Power failure:** In case of power failure, even if it is in summer, foods inside the appliance can be kept for several hours; during the power failure, the times of door opening shall be reduced, and no more fresh food shall be put into the appliance.
- **Long time inactive use:** If your appliance is to be left empty for a long period of time, switch off the appliance, disconnect it from the power source, and then clean and dry the appliance. Leave the door open to prevent mould and odours from developing within the appliance.
- **Moving:** Before the refrigerator is moved, take all objects inside out, fix the glass partitions, vegetable holder, freezing chamber drawers and etc. with tape, and tighten the leveling feet; close the doors and fix them with tape. During moving, the appliance shall not be laid upside down or horizontally, or be vibrated; the inclination during movement shall be no more than 45°.

Changing the light

Any replacement or maintenance of the LED lamps is intended to be made by the manufacturer, it's service agent or a equally qualified person.

Troubleshooting

Fault Indication

The following warnings may appear on the control panel display indicating the corresponding faults of your appliance. Though the refrigerator may still be in operation with a fault, we highly recommend our after sales support line for maintenance to optimise the performance of your appliance.

Fault Code	Fault Description
Setting 1 is flashing	Refrigerator temperature sensor circuit
Setting 2 is flashing	Refrigerator defrost sensor
Setting 3 is flashing	Frozen defrost sensor
Setting 4 is flashing	Ambient temperature sensor

Troubleshooting

Before contacting our after sales support line, please check the troubleshooting table below to see if you are able to solve the problem yourself.

Issue	Possible Resolution
The appliance does not operate.	<ul style="list-style-type: none">● Check if the appliance is connected to a power source or the plug is in good contact.● Check if the voltage is too low.● Check if the circuit breaker has tripped or blown a fuse.
The appliance is not cold enough.	<ul style="list-style-type: none">● Check the temperature control settings.● Do not open door too often.● Check that the door is closed properly and for any obstructions preventing the door closing properly● Remove hot food and let it cool first before placing into the appliance.
The appliance has an odd odour.	<ul style="list-style-type: none">● Check that the food is wrapped tightly.● Check for rotten food and remove.● Clean the interior of the appliance.
The compressor operation runs for a long time	<ul style="list-style-type: none">● When the ambient humidity is high, particularly in summer, long operation of the compressor is normal.● Do not overload the appliance with too much food.● Reduce the amount of times the door is opened.● Remove hot food and let it cool first before placing into the appliance.
Water pan overflows	<ul style="list-style-type: none">● The appliance is overloaded with too much food or the food stored contains a high level of water resulting in heavy defrosting.● Check that the door is closed properly and for any obstructions preventing the door closing properly. Entry of outside air will increase water due to defrosting.
The internal light does not illuminate.	<ul style="list-style-type: none">● Check if the appliance is connected to a power source or the plug is in good contact.● Check if the circuit breaker has tripped or blown a fuse.● The light may be damaged, please contact after sales support.
The door will not close properly.	<ul style="list-style-type: none">● Check if the appliance is level.● If the gasket is dirty, clean gasket with warm water and a soft cloth.● Re-position food so it does not obstruct ventilation.

Moisture forms on the inside appliance walls.	<ul style="list-style-type: none"> • This is normal. When the ambient humidity is too high, condensation on the exterior surface and door seals will appear. Wipe the condensate with a clean towel. • Ensure the door is fully closed
Moisture forms on the outside of the appliance.	<ul style="list-style-type: none"> • Ensure the door is fully closed • This is a normal occurrence and moisture can be wiped away with a towel
There are vibrations.	<ul style="list-style-type: none"> • Level the appliance. • Be sure your floor can adequately support the appliance. • Move the appliance away from the wall and check it is level.

Service and repairs

Do not attempt to alter or modify this appliance in any way, or to repair or replace any part unless it is specifically recommended in this manual. All other servicing should be referred to a qualified technician. Contact our after sales support for advice.

THIS PAGE IS INTENTIONALLY LEFT BLANK

Product Specifications

Model:	IIF241
Product Dimensions:	W: 540mm, D: 545mm, H: 1785mm
Weight (Net/Gross):	62.5kg/67.5kg
Refrigerator Capacity:	180L
Freezer Capacity:	68L
Total Capacity:	248L
Energy Rating:	3 Stars MEPS
Refrigerant, Amount:	R600a, 47g

Standards

This product complies with AS/NZS IEC 62552.1/2/3:2018 electrical safety, and with EN 55014-1:2006+A1:2009 A2:2011 for electromagnetic compatibility.

Attach Your Receipt Here



Purchase Details

For your records, please record details of your purchase below and staple your receipt on the opposite page.

Your serial number can be found on the rear of your integrated fridge.

STORE DETAILS

STORE NAME |

ADDRESS |

TELEPHONE |

PURCHASE DATE |

PRODUCT DETAILS

MODEL NO. |

SERIAL NO.* |

Warranty Information

WARRANTY TERMS AND CONDITIONS REFRIGERATION APPLIANCES

This document sets out the terms and conditions of the product warranties for Residentia Group Appliances. It is an important document. Please keep it with your proof of purchase documents in a safe place for future reference should you require service for your Appliance.

1. **IN THIS WARRANTY**
 - (a) 'acceptable quality' as referred to in clause 10 of this warranty has the same meaning referred to in the ACL;
 - (b) 'ACL' means Trade Practices Amendment (Australian Consumer Law) Act (No.2) 2010;
 - (c) 'Appliance' means any Residentia Group product purchased by you accompanied by this document;
 - (d) 'ASR' means Residentia Group authorised service representative;
 - (e) 'Residentia Group' means Residentia Group Pty Ltd of 165 Barkly Ave, Burnley VIC 3121, ACN 600 546 656 in respect of Appliances purchased in Australia;
 - (f) 'major failure' as referred to in clause 10 of this warranty has the same meaning referred to in the ACL and includes a situation when an Appliance cannot be repaired or it is uneconomic for Residentia Group, at its discretion, to repair an Appliance during the Warranty Period;
 - (g) 'Warranty Period' means:
 - (i) where the Appliance is used for personal, domestic or household use (i.e. normal single family use) as set out in the instruction manual, the Appliance is warranted against manufacturing defects for 24 months, following the date of original purchase of the Appliance;
 - (h) 'you' means the purchaser of the Appliance not having purchased the Appliance for re-sale, and 'your' has a corresponding meaning.
2. This warranty only applies to Appliances purchased and used in Australia and is in addition to (and does not exclude, restrict, or modify in any way) any non-excludable statutory warranties in Australia.
3. During the Warranty Period Residentia Group or its ASR will, at no extra charge if your Appliance is readily accessible for service, without special equipment and subject to these terms and conditions, repair or replace any parts which it considers to be defective. Residentia Group or its ASR may use remanufactured parts to repair your Appliance. You agree that any replaced Appliances or parts become the property of Residentia Group. This warranty does not apply to light globes, batteries, seals, filters or similar perishable parts.
4. Parts and Appliances not supplied by Residentia Group are not covered by this warranty.

-
5. You will bear the cost of transportation, travel and delivery of the Appliance to and from Residentia Group or its ASR. If you reside outside of the service area, you will bear the cost of:
- travel of an authorised representative;
 - transportation and delivery of the Appliance to and from Residentia Group or its ASR, in all instances, unless the Appliance is transported by Residentia Group or its ASR, the Appliance is transported at the owner's cost and risk while in transit to and from Residentia Group or its ASR.
6. Proof of purchase is required before you can make a claim under this warranty.
7. You may not make a claim under this warranty unless the defect claimed is due to faulty or defective parts or workmanship. Resientia Group is not liable in the following situations (which are not exhaustive):
- the Appliance is damaged by:
 - accident
 - misuse or abuse, including failure to properly maintain or service
 - normal wear and tear
 - power surges, electrical storm damage or incorrect power supply
 - incomplete or improper installation
 - incorrect, improper or inappropriate operation
 - insect or vermin infestation
 - failure to comply with any additional instructions supplied with the Appliance;
 - the Appliance is modified without authority from Resientia Group in writing;
 - the Appliance's serial number or warranty seal has been removed or defaced;
 - the Appliance was serviced or repaired by anyone other than Resientia Group, an authorised repairer or ASR.
8. This warranty, the contract to which it relates and the relationship between you and Resientia Group are governed by the law applicable where the Appliance was purchased.
9. To the extent permitted by law, Resientia Group excludes all warranties and liabilities (other than as contained in this document) including liability for any loss or damage whether direct or indirect arising from your purchase, use or non use of the Appliance.
10. For Appliances and services provided by Resientia Group in Australia, the Appliances come with a guarantee by Resientia Group that cannot be excluded under the Australian Consumer Law. You are entitled to a replacement or refund for a major failure and for compensation for any other reasonably foreseeable loss or damage. You are also entitled to have the Appliance repaired or replaced if the Appliance fails to be of acceptable quality and the failure does not amount to a major failure. The benefits to you given by this warranty are in addition to your other rights and remedies under a law in relation to the Appliances or services to which the warranty relates.
11. At all times during the Warranty Period, Resientia Group shall, at its discretion, determine whether repair, replacement or refund will apply if an Appliance has a valid warranty claim applicable to it.
12. Missing parts are not covered by warranty. Resientia Group reserves the right to assess each request for missing parts in a case by case basis. Any parts that are not reported missing in the first week after purchase will not provide free of charge.
13. To enquire about claiming under this warranty, please follow these steps:
- carefully check the operating instructions, user manual and the terms of this warranty;
 - have the model and serial number of the Appliance available;
 - have the proof of purchase (e.g. an invoice) available;
 - telephone the numbers shown below.
14. You accept that if you make a warranty claim, Resientia Group and its ASR may exchange information in relation to you to enable Resientia Group to meet its obligations under this warranty.
- IMPORTANT**
Before calling for service, please ensure that the steps in point 13 have been followed.
- CONTACT SERVICE**
→ Please call 1300 11 HELP (4357)
-

The Australian Consumer Law requires the inclusion of the following statement with this warranty:

Our goods come with guarantees that cannot be excluded under the Australian Consumer Law. You are entitled to a replacement or refund for a major failure and for compensation for any other reasonably foreseeable loss or damage. You are also entitled to have the goods repaired or replaced if the goods fail to be of acceptable quality and the failure does not amount to a major failure.

THIS PAGE IS INTENTIONALLY LEFT BLANK

Warranty Information (Continued)

NEW ZEALAND WARRANTY TERMS & CONDITIONS REFRIGERATION APPLIANCES

To help care for your investment, be sure to register your appliance online. Registration will help you if you need to arrange service in the future, and serves as a record of your purchase – including critical information like model number and serial number – that you can refer to at any time.

Simply visit the below website, or ask your retailer for help: www.inalto.house/nz/registration

WARRANTY:

These products are covered by a warranty for a period of 24 months from the date of purchase, subject to the following conditions*. The warranty covers rectification free of charge of any fault arising from defective materials or components, or faulty workmanship or assembly.

* The conditions above mentioned are:

1. That the purchaser carefully follows all instructions packed with the product;
2. That the purchaser and/or installer carefully follows the installation instructions provided and complies with electrical wiring regulations, gas and/or plumbing codes;
3. That the purchaser carefully follows instructions provided in the owner's handbook relating to the proper use and care of the product and does not use the product for any purpose other than the domestic use for which it has been designed;
4. Commercial use of the product for professional or industrial purposes will void this warranty.;
5. That the product was purchased and installed in New Zealand;
6. That this warranty does not extend to:
 - a) optional glass lids for hobs apart from claims which relate to mechanical or physical damage thereof at the date of purchase;
 - b) 'consumable' parts such as light bulbs or filters;
 - c) damage to ceramic glass caused by liquid or solid spill-overs, lack of maintenance, or impact;
 - d) damage to surface coatings caused by cleaning or maintenance using products not recommended by the owner's handbook;
 - e) defects caused by normal wear and tear, accident, negligence, alteration, misuse or incorrect installations;

- f) a product dismantled, repaired or serviced by any serviceman other than an authorised service agent;
- g) a product not in possession of the original purchaser;
- h) damage caused by power outages or surges
- i) damage caused by pests (eg. rats, cockroaches etc.)

7. That if the product is a freestanding microwave oven or small appliance it must be returned to the dealer/retailer for servicing. These products, unless stated otherwise, have a 12 month warranty from original date of purchase with 24 months on the microwave magnetron; Waste disposers have a 12 month warranty.
8. The provision of service under this warranty is limited by a 25km boundary from the retailer where the product was purchased except for microwaves. Such travelling outside of these limits will incur commercial cost to be paid by you, regulated by the number of kilometres travelled beyond the 25km limit (50km return trip). Microwaves are to be delivered to the nearest authorised service agent by the customer.

Please refer to your user manual for any further conditions that may apply to your specific model. Nothing herein contained shall be construed in any way as excluding or limiting your rights under the Consumer Guarantees Acts 1993.

For Service please visit www.applico.co.nz/service or contact the dealer/retailer from whom you purchased the product from or call the 0800 number listed below. If you are unable to establish the date of purchase, or the fault is not covered by this warranty, or if the product is found to be in working order, you will be required to bear all service call charges.

Registration of this warranty constitutes acceptance of the terms and conditions of this warranty. Should you require any assistance, please call Customer Services on 0800 763 448.

Distributed by Applico Ltd.
www.applico.co.nz

After registering your appliance online, we recommend you fill out the below information for your reference and keep this warranty card in a safe place.

THIS WARRANTY IS VALID IN NEW ZEALAND ONLY.

DESIGNED IN MELBOURNE

INALTO

FOR ALL AUSTRALIAN HOMES

WWW.INALTO.HOUSE



E2447