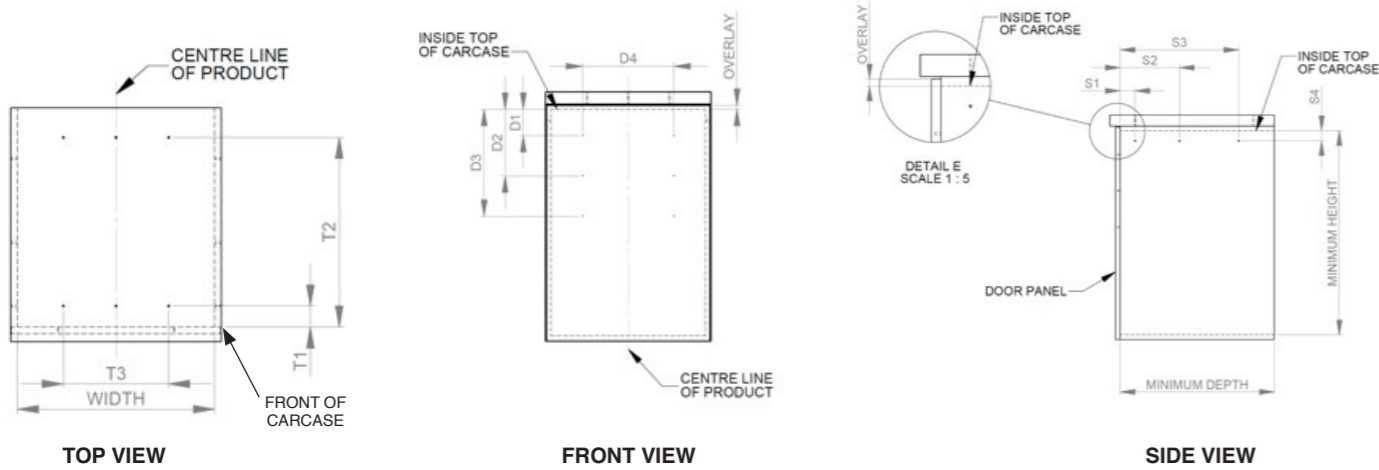


## INSTALLATION DIMENSIONS

Model	External Dimensions			Top Drilling			Side Drilling				Door Drilling			
	Width	Height	Depth	T1	T2	T3	S1	S2	S3	S4	D1	D2	D3	D4
KC15SCH	260	310	360	58	303	156	41	248	-	47	-	-	-	-
KC15SCD	260	310	360	58	303	156	41	248	-	47	72	177	281	178
KC20SCH	260	415	360	58	303	156	41	248	-	47	-	-	-	-
KC20SCD	260	415	360	58	303	156	41	248	-	47	72	177	281	178
KC140SCH	268	615	410	56	354	190	40	168	297	52	-	-	-	-
KC140SCD	268	615	410	56	354	190	40	168	297	52	72	176	280	182
KC50SCH	340	590	410	39	371	249	39	167	296	53	-	-	-	-
KC50SCD	340	590	410	39	371	249	39	167	296	53	70	175	279	253
KC30SCH	300	310	510	59	455	193	40	168	397	47	-	-	-	-
KC30SCD	300	310	510	59	455	193	40	168	397	47	72	177	281	216
KC40SCH	300	415	510	59	455	193	40	168	397	47	-	-	-	-
KC40SCD	300	415	510	59	455	193	40	168	397	47	72	177	281	216



## Hideaway® compact range installation instructions

PLEASE READ ALL INSTRUCTIONS BEFORE YOU BEGIN INSTALLING

### Important Installation Information for Handle Pull Models:

For handle pull models KC15SCH, KC20SCH, KC30SCH, KC40SCH, KC50SCH, KC140SCH, KC240SCH. The stated product installation width applies to installations where the door fully clears the cabinet opening and may be hinge dependent. The top hinge should be a minimum of 150mm from the top of the door panel and additional carcass width may be required.

### Fastener Identification:



### NOTE: KC140SCD ONLY

The door bracket is partially assembled in this model. It should be assembled using the 2 x M6 nuts and bolts provided. Refer to Fig 2.

## Need more info?

NEW ZEALAND  
AUSTRALIA

Phone 09 426 7456

Email info@hideawaybins.co.nz

Web www.hideawaybins.co.nz

Freephone 1800 042 642

Email info@hideawaybins.co.nz

Web www.hideawaybins.com.au

NZ Patent No. 530285  
AUS Patent No. 2004240179

**NKBA**  
National Kitchen & Bathroom Association - NZ



**Hideaway**  
compact

## INSTALLATION INSTRUCTIONS START HERE

### Step 1 – Separate the Runner Components

- Place the mounting panel upside down on a flat surface.
- Fully extend the runners.
- Press the yellow runner release latches on both sides. Refer to FIG 1.
- Holding the mounting panel securely, pull the handle or door bracket to separate the inner components from the mounting panel.
- Push the outer rail fully into the mounting panel. The soft close device will need to be released by manipulating the yellow pin on each runner. Refer FIG 3.

### Step 2 – Predrill the Carcase

- Refer to the Installation Dimensions on the back page of these instructions.
- Mark out the mounting positions to be used and drill a 2mm hole 10mm deep at each point.

### Step 3 – Installing the Mounting Panel in the Carcase

- Position the mounting panel within the carcase.
- Use the 16mm Surefix screws and the washers in top mount locations.
- Use the side mount screws in side mount locations. The rear side mount on each side can be accessed by releasing the soft close mechanism by manipulating the yellow pin. Refer FIG 3.
- Note: A #1 Square Drive or #2 Phillips Drive bit may be used with both the Surefix and Side Mount Screws.

### Step 4 – Predrilling the Door Panel (Door Pull Models Only)

- Mark a vertical centre line down the rear of the door panel.
- Mark the overlay at the top of the door panel.
- With reference to the Installation Dimensions mark the D2 Door Mount positions.
- Drill a 2mm hole 10mm deep at each of the marked positions.

### Step 5 – Mounting and Adjusting the Door Panel (Door Pull Models Only) Refer FIG 2

- Position the door bracket on the door panel and align with the predrilled holes.
- Secure the door bracket using a 12mm Surefix Screw in each of the 2 vertical slots.
- Reattach the runner inner – Refer to FIG 4.
  1. Ensure the outer runners attached to the mounting panel are pushed as far as they will go into the unit.
  2. Ensure the inner slider is forward as far as it will go.
  3. Line up the inner runners (with the collar handle/door bracket attached) to the outer runners.
  4. Push the inner runners into position until the unit is fully closed. There may be some resistance when pushing the unit closed but the runner should operate smoothly after reassembly.
- Adjust the angle of the door panel by loosening the two M6 nuts and bolts, moving the door bracket so it is parallel with the carcase and retightening the M6 nuts and bolts.
- Adjust the vertical position of the Door Panel by loosening the 2 Surefix Screws in the vertical slots and moving the panel as required.
- Drill a 2mm pilot hole 10mm deep at the centre of each of the horizontal slots.
- Secure the door panel using 12mm sure fix screws through the 4 horizontal slots. Depending on the amount of adjustment carried out in previous steps it may be necessary to drill additional pilot holes at this stage.
- If required adjust the horizontal position of the door panel by removing the 2 screws in the vertical slots, loosening the screws in the horizontal slots, adjusting the panel position and retightening the screws in the horizontal slots.
- Reinstall the 2 screws into the vertical slots. Additional pilot holes may need to be drilled.

### Step 6 – Place the bin bucket(s) into the collar.

- Check that the bin opens and closes smoothly and that there is no contact between the bin and the mounting panel.
- Please leave the Care and Maintenance instructions inside the bucket for the owner.

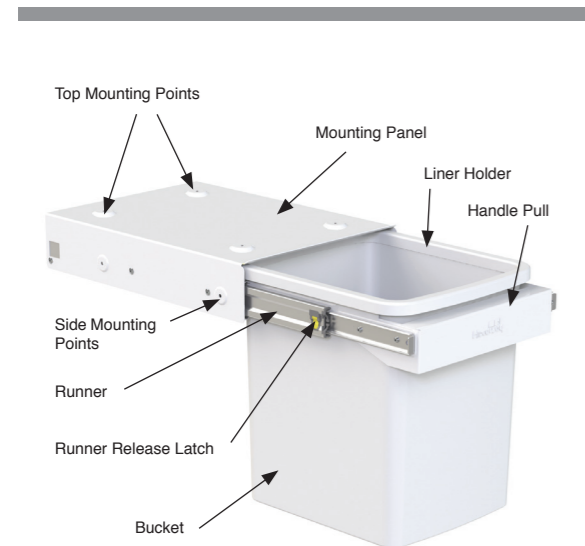


FIG 1 - Bin Parts

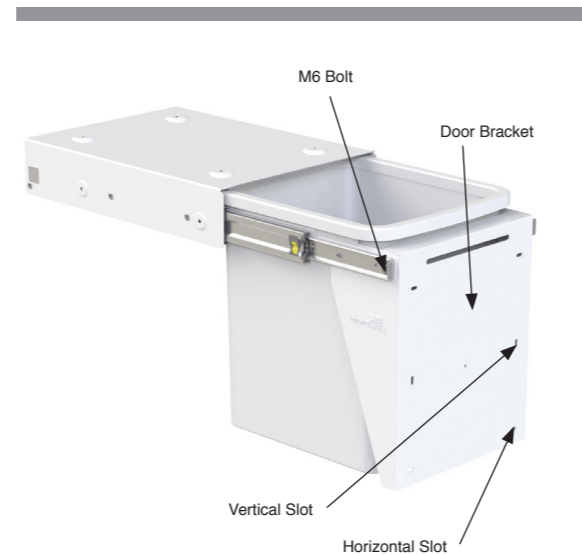


FIG 2 - Door Pull Model

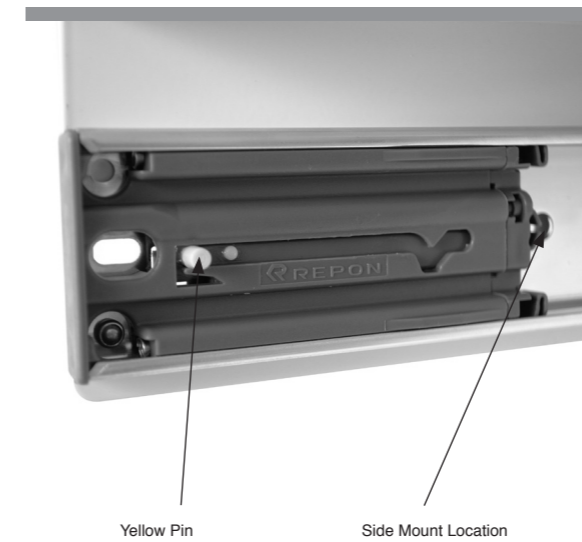


FIG 3

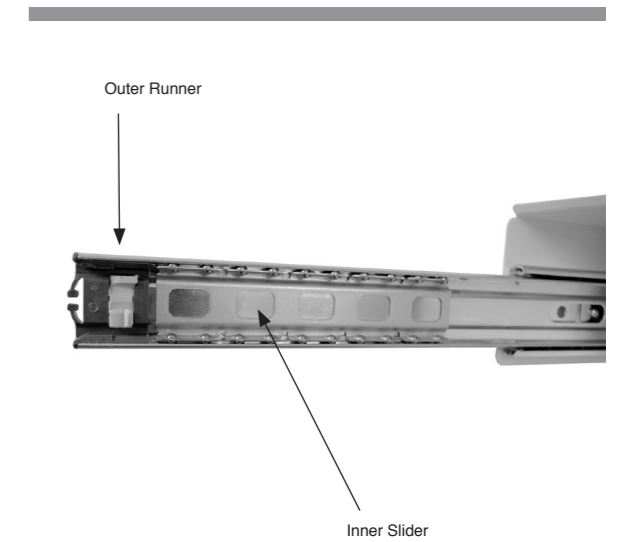


FIG 4