

Hideaway® soft close range installation instructions



Important Installation Information:

AT ALL STAGES OF THE INSTALLATION ENSURE THE SPRING CARRIER ON THE RUNNER IS ENGAGED!

Before you close the unit ensure the spring carrier is loaded on your soft close runner. Failure to do so may cause damage to your runners.

Figure 1a - Demonstrates the spring carrier in the engaged position. This is the correct positioning and the bin is ready to be closed and used.

Figure 1b - Demonstrates the spring carrier in an disengaged position. To move into engaged position, move the white spring carrier along its runner until it clicks into location demonstrated by arrow in Fig 1b. Alternatively, if discovered after installation is complete then you may also try the following: push the drawer to the firmly closed position. Push the disengaged side of the door firmly until you hear a click from the runner re-engaging. The runner should now close fully under normal operation and be positioned as shown in Fig 1a.

Runner engaged - correct

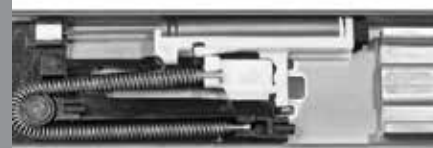


FIG 1a - Runner Engaged

Runner disengaged - incorrect

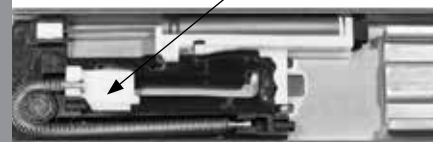


FIG 1b - Runner Disengaged

Step 1 - Unpack Hideaway Bin

- Remove all polystyrene.
- Remove the bucket/s.
- Please leave the Care and Maintenance instructions inside the bucket for the homeowner.

Step 2 - Remove the door bracket (fig 3a & 3b)

- Place the mounting panel upside down on a flat surface with the runners facing upwards.
- **Fully extend the runners.** It is critically important that you extend as far as they will open.
- Undo the nut on either side of the door bracket (these nuts attach the door bracket to the collar).
- Remove door bracket - set nuts aside in a safe place (see Fig 3a).
- NOTE: VERY IMPORTANT - do not remove the collar from the runners or the runners from the mounting panel.

Step 3 - Remove the friction-fitted lid from mounting panel (fig 4a, 4b & 4c)

- Mounting panel should still be upside down on a flat surface with the runners facing upwards.
- To remove the friction-fitted lid - push firmly down on the lid at the back of the unit.
- Push firmly, distributing pressure to both sides of lid to ensure the lid clears the hooks located on the left and right hand sides of the mounting panel.
- Simultaneously, pull the friction-fitted lid forwards until it pulls clear of the mounting panel.
- Pull the foam pad clear of the mounting panel. Set aside, leaving the plastic cover on.

Step 4 - Top mounting installation within your cupboard / carcass

- Position the mounting panel (now clear of friction-fitted lid and foam pad) inside, beneath your carcass / shelf.
- Position within the centre of the carcass and ensure the front of the mounting panel is sitting flush with the front of the carcass. Mounting points are located on the top of the mounting panel for fixing. Secure the mounting panel into place with the Surefix screws provided. Any additional mounting points added will null and void warranty.

Step 5 - Side mounting installation within your cupboard / carcass

- Your unit has side mounting points as shown in Fig 2. If side mounting, the internal space of the cabinet must be within the advertised width.
- The side mounting points are to be secured with the Surefix screws and washers provided.

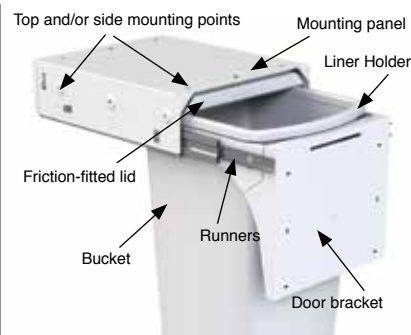


FIG 2 - Bin Parts

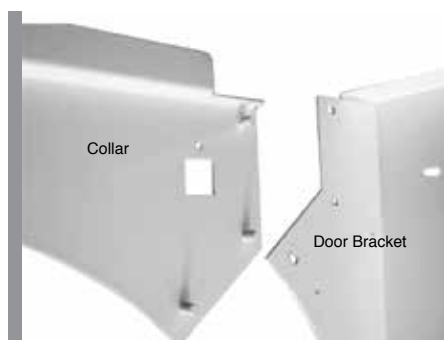


FIG 3a - Door Bracket and Collar Detached

Step 6 - Reinstall the friction-fitted lid and foam into mounting panel

- Rest the foam on top of the friction-fitted lid - the flat side of the friction-fitted lid should be towards the ground with the folds facing upwards.
- Slide the friction-fitted lid and foam inside the mounting panel, stopping just before the rear hooks. (Note: the large fold on the friction-fitted lid sits at the front of the unit, and the rear of the lid has the slots which reconnect with the hooks located on the mounting panel at the rear).
- Simultaneously, with one hand, push firmly up on the back of the friction-fitted lid, push the lid above the hooks and drop into location. Whilst this is happening, with the other hand push the front of the lid upwards to ensure it rests on the metal support (located at the front of the mounting panel - fig 4c).
- The lid should move up and down slightly with ease, indicating correct installation.

Step 6 - Reattach the door bracket

- Extend the runners once again.
- Align the door bracket to the collar and lightly tighten in place using the nuts provided.
- NOTE: Lightly tighten nuts to allow fixing of door front.

Step 7 - Fix cabinet fascia to door bracket of bin

- Place a 4mm self tapping screw into the centre hole of the door bracket - ensure the point of the screw is only protruding approx 3mm.
- With the bin closed fully, align the front fascia of the cupboard against the door bracket. A small hit with your hand to the location of the screw will help provide a drilling indication.
- Lie cabinet fascia on a flat surface with the internal part of the door facing upwards. Using the drilling mark made to the centre point on the cabinet fascia, drill a hole to hold centre screw (if required for ease of installation, remove the door bracket from the unit once again. Attach the door bracket with the centre screw to the cabinet fascia and then reattach the door bracket to the collar of the bin once again.)
- Place the cabinet fascia against the door bracket and tighten the centre screw. Check the positioning and align.
- Proceed to marking, screwing and tightening the remaining screws. Vertical and horizontal adjustment is provided on the door bracket.
- To adjust the angle of your kitchen fascia: loosen or tighten the nuts on the door bracket until desired angle is achieved. The centre nut provides pivot. Once the desired angle is achieved, firmly tighten all nuts on the door bracket.

Step 8 - Place bin buckets into checkouts on collar

- Fully extend the runners.
- Place bucket/s into the checkouts provided on the collar. The back bucket must sit over the lip on the back of the frame. If the bucket/s do not sit within these checkouts the unit will not close properly.

Installation complete!

Need more info?

NEW ZEALAND

Phone 09 426 7456

info@hideawaybins.co.nz

www.hideawaybins.co.nz

AUSTRALIA

Freephone 1800 042 642

info@hideawaybins.co.nz

www.hideawaybins.com.au

NZ Patent No. 585372

AUS Patent Application No. 2011100557

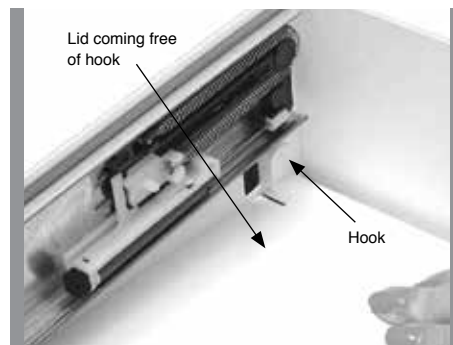


FIG 3b - Door Bracket and Collar Attached



Push firmly on the back of the unit to ensure the lid clears the hooks located on the right and left hand sides of top mounting panel

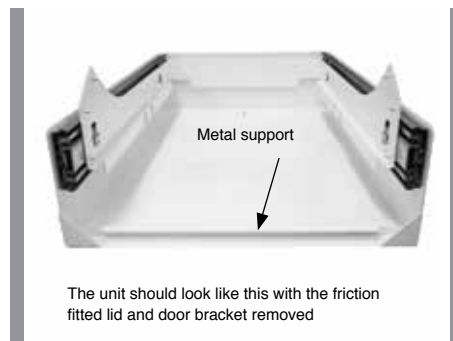
FIG 4a



Lid coming free of hook

Hook

FIG 4b



Metal support

The unit should look like this with the friction fitted lid and door bracket removed

FIG 4c