

# RUFFHAUS

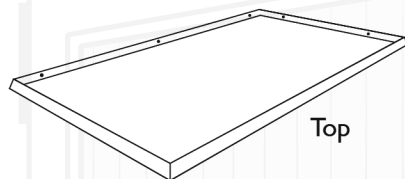
## Easy Assembly Instructions

### Six Easy Assembly Steps.

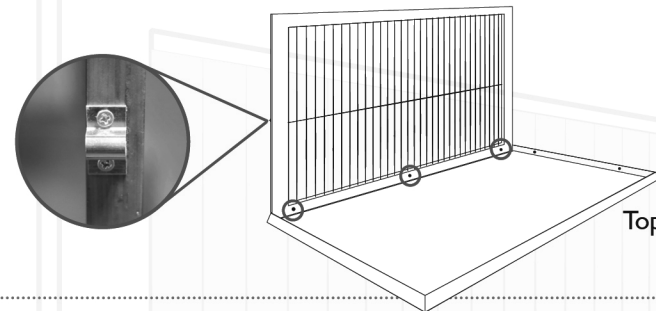
#### Component List

- Base and Top
- Right and Left Panels
- Back Panel
- Door
- Screws
- Phillips-head Screwdriver

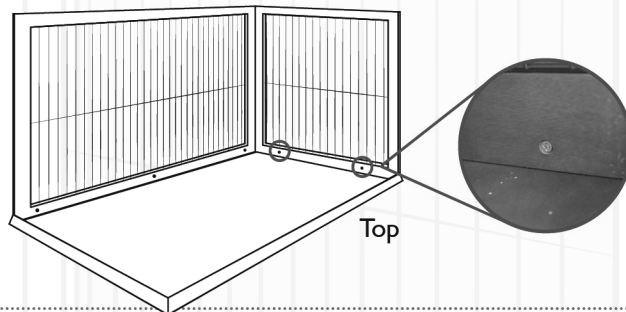
**Step 1:** Lay the Top upside down. Identify the front of the unit by locating the solid wood face without pre-drilled holes.



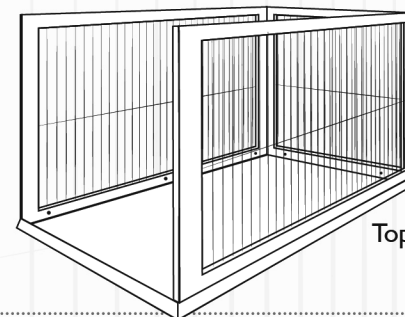
**Step 2:** Attach Right Panel to Base. Identify the Right Panel by the Lock Catch. With a phillips-head screwdriver, carefully secure with three of the provided 1" screws along the pre-drilled holes.



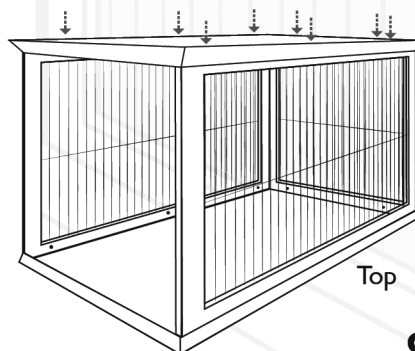
**Step 3:** With two 1" screws, repeat **Step 2** with the Back Panel.



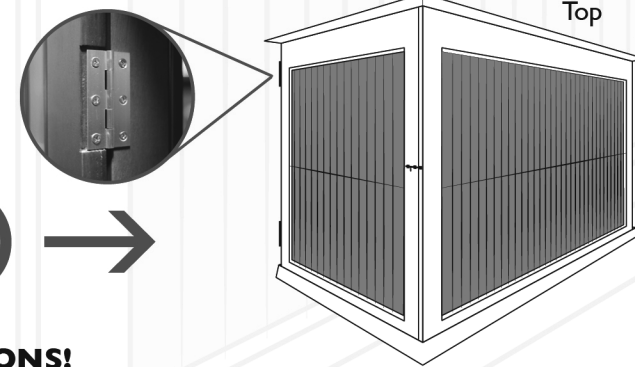
**Step 4:** Repeat **Step 2** with the Left Panel. Identify the Left Panel by the pre-marked guides for the hinges on front of the panel.



**Step 5:** Affix the Base. Identify the front of the panel by locating the solid wood bar without the pre-drilled holes. Place it on top of the assembly and secure the base with the eight 2 3/4" screws.



**Step 6:** Lastly, carefully, turn the RuffHaus rightside up. Attach the door by securing the hinges along the six markings on the left panel with the provided 1/2" screws.



**CONGRATULATIONS!**

**You are now the proud owner of a RuffHaus. Welcome to the DenHaus family!**

If you have any issues with your RuffHaus, comments or questions about assembly:  
Please call us at 1-877-336-6468 or email us at [support@denhaus.com](mailto:support@denhaus.com)

