

## CHARGING

Your Solitude Headphones contain a Micro USB cable that can be connected to your computer or other USB charging device.

1. Plug the Micro USB end of this USB cable into the Micro USB Slot on the headphones under the left ear-cap (diagram 1-H).
2. Plug the other end into a USB port on your computer or other USB charging device.
3. The indicator light will be red while charging.
4. Once fully charged, the indicator light will turn blue.

*It takes about 3 hours to fully charge an empty battery.*

### LOW BATTERY WARNING

When powered on, there will be a warning beep every 60 seconds, when the battery voltage is below 3.0v.

### POWER-OFF AT LOW BATTERY CONDITION

When powered on, the headphones will automatically shut off, when the battery voltage is below 2.9v.

## USING THE TELEPHONE

You can make and receive calls hands free by pairing your Solitude Headphones to your bluetooth enabled smart-phone.

### MAKING A CALL

To make a call, use your smart-phone in the normal way with your headphones paired.

Quickly pressing the MFB twice will call the last number in your call list.

### ANSWERING A CALL

When a phone call comes in, that you want to answer, quickly press the MFB to answer it.

### REJECTING A CALL

When a phone call comes in, that you don't want to answer, press the MFB for 1.5 seconds to reject the call.

### ENDING A CALL

Short press the MFB at anytime during a call to hang-up.

## LISTENING TO MUSIC

To listen to music, connect your headphones to a compatible Bluetooth device.

If you receive or make a call while listening to music, the music will be paused until your call is ended.

### PLAYING A SONG

To play a song, select it from your bluetooth device by pressing the Play/Pause key on either your device or the headphones. You can pause or resume playing a song, by pressing the same key.

### NAVIGATING SONGS

To select the next song during playback, long press the Volume Up Button. To select the previous song, long press the Volume Down Button.

### ADJUSTING THE VOLUME

To increase the volume, quickly press the Volume Up Button. When the volume reaches Maximum volume, there is a warning tone. To decrease the volume, quickly press the Volume Down Button.

## FREQUENTLY ASKED QUESTIONS

### I'VE CONNECTED MY DEVICE, BUT I'M NOT HEARING SOUND.

Make certain that the volume is up on both the headphones and your device. Some smart-phones require you to setup the headset as an audio output device before sound is transmitted. Please see the pairing instructions on your smart-phone for details. If you are using a music player or other Bluetooth device, please make sure it supports an A2DP stereo music profile.

### MY CONNECTION IS NOT STABLE, IT CUTS IN AND OUT.

Check for nearby radio or wifi interference, also check to see that there are no objects between your headphones and Bluetooth device that would impede the signal.

### CAN I USE THE HEADPHONES WHILE THEY'RE CHARGING?

No, the headset can not be used while charging.

### THE SOUND IS NOT VERY CLEAR OR THE CALLER CAN NOT HEAR ME CLEARLY ON A PHONE CALL.

Please check the volume on your headphones and smart phone. Check to see if there are objects between your headphones and smart-phone that would impede the signal. Try staying closer to your smart phone.

## CAUTION

Please do not have the volume all the way up when turning on your headphones. Nor should you turn the volume up suddenly. Rather, slowly adjust the volume to the desired level. Do not expose yourself to prolonged listening at high volumes. If tinnitus (ringing in the ears) occurs, turn the volume down or stop playing. Please follow these steps to avoid hearing damage that can be caused by listening at high volumes.

Solitude Headphones are designed to block out ambient sound and noises, allowing you to focus your ears on what you are listening to. For this reason, do not operate a vehicle while wearing these headphones. Do not use these headphones in dangerous environments or in places where hearing ambient sounds is vital.

During a prolonged period without use, please turn off the headphones and put them back into their box to avoid damage, scratches or bracket deformation. You should also charge the battery every 6 months to prolong the battery service life. When resuming use, after a long period of time, please charge the headphones first.

Please store your headphones in a dry environment where the temperature does not exceed 140° F.

Please do not attempt to access or change the battery of the headphones.

KOVEAUDIO.COM



**SOLITUDE**  
**NOISE CANCELING**  
**BLUETOOTH HEADPHONES**

# SOLITUDE

## NOISE CANCELING BLUETOOTH HEADPHONES

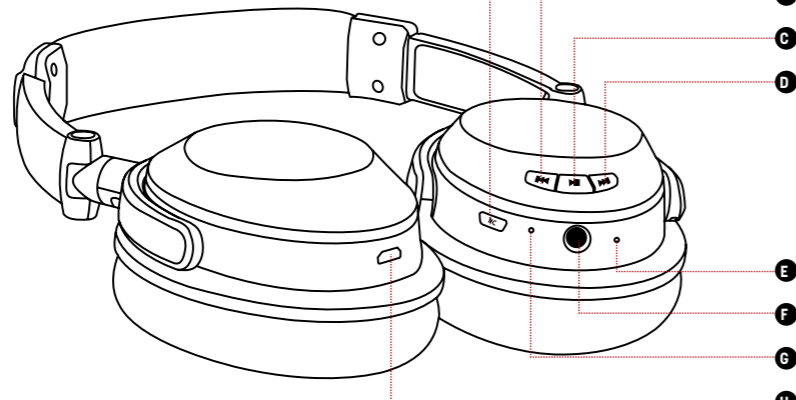
Enter an insulated world of acoustically precise audio. Active noise cancellation silences ambient sound, while memory foam ear cushions create a luxurious listening space.

Find serenity anywhere: Solitude Noise Canceling Headphones can slip inside the included travel bag if you aren't wearing them around your neck, if you do, there's ample padding for comfort.

Bluetooth 4.1 delivers your sound wire-free from paired devices (within an 30-foot range) for up to six hours. In standby mode, the Solitude headphones provide up to 6 hours of play time and the built-in microphone lets you take calls, if you're willing to end your solitude.

Before using your headset, please read this manual and keep it for future reference.

### GETTING STARTED



#### YOUR HEADPHONES

- A. Active Noise Canceling (ANC) ON / OFF
- B. Volume Down / Previous Song
- C. Multi-Function Button (MFB)  
*Power On / Off; Make / End Phone Call; Play / Pause*
- D. Volume Up / Next Song
- E. MICROPHONE

- F. 3.5 MM Auxiliary Audio Jack
- G. LED Indicator Light
- H. USB Slot

**Your headphones needs to be fully charged prior to using it for the first time.**

### POWERING ON & OFF

#### BLUETOOTH

To switch on, press and hold the multi-function button for 3 seconds. The headphones will enter Bluetooth search mode. Blue and red indicator lights will start to alternately flash.

To switch off, press and hold the multi-function button for 3 seconds.

#### ACTIVE NOISE CANCELING

To turn Active Noise Canceling on, press and hold the ANC button for 1 second. The Green light indicator will turn on to let you know it is active.

To turn off Active Noise Canceling, press and hold the ANC button for 1 second. The Green indicator light will turn off.

Active Noise Cancellation works in both Bluetooth and Wired conditions.

### PAIRING

1. Ensure that your Bluetooth device is switched on and that Bluetooth Mode is enabled.
2. Pairing your headphones for the first time: Solitude will enter pairing mode, when you power on (blue and red indicator lights will alternately flash until pairing is complete).

If your headphones have been previously paired with a different device, ensure that device is switched off, as Solitude will attempt to connect with that device automatically.

If you headphones do not enter pairing mode press and hold the Multi-Function button until the blue and red light begin to alternately flash.

3. Select "SOLITUDE" from the list of Available Bluetooth devices on your phone or Bluetooth device.
5. When successfully paired, the red and blue lights will turn to a continuous blue light.

### AFTER PAIRING

#### TO DISCONNECT

To disconnect your Solitude headphones from your Bluetooth device, simply switch off the headphones, or disconnect them in Bluetooth menu of your device.

#### TO RECONNECT

To reconnect your Solitude Headphones to a phone or Bluetooth device that they were most recently connected to, switch on the headphones or make the connection in the Bluetooth menu of your device.

### WIRED HEADPHONES

You can also connect to your headphones, as a wired headset, using a 3.5 mm audio cable (not included).

This will allow you to extend the battery life of the headset, as wired mode uses less power than Bluetooth mode.

Inserting a 3.5 mm audio cable disables wireless functionality.

### PRODUCT SPECIFICATIONS



V4.1 Bluetooth version compatible with 99% of mobile phones and tablets.

|                              |                                   |
|------------------------------|-----------------------------------|
| Bluetooth Version.....       | 4.1                               |
| Charging Time.....           | 2-3 Hours                         |
| Standby Time.....            | 200 Hours                         |
| Play / Talk Time.....        | Up to 12 Hours                    |
| Charging Voltage.....        | DC 5V                             |
| Range.....                   | 10 Meters                         |
| Driver Unit:.....            | 40 mm                             |
| Impedance:.....              | 32 Ω                              |
| Active Noise Canceling:..... | Up to 20-25 dB during 100-1000 HZ |
| Battery:.....                | Rechargeable 3.7 V Lithium Ion    |

#### Notes

Play / talk time dependent on volume level and audio content.

1. Never disassemble or modify your headset for any reason.
2. Do not use harsh chemicals or strong detergents to clean your headset,
3. Store your headphones in a dry place.