

ULTRAWATERTM
inside

AlkaViva's proprietary patent-pending UltraWater filtration technology is included in the **elita** CT-700, providing peace of mind and the cleanest, healthiest water.



Removes up to 99.9% of the following contaminants:

- Chlorine
- Fluoride
- Lead
- Arsenic
- Aluminum
- Mercury
- Chromium 6
- Pathogens
- Chloramine
- VOCs
- THMs
- Pesticides
- Detergents
- Pharmaceuticals
- Agricultural Chemicals
- Industrial Waste

See complete EPA-certified test results at:
www.alkaviva.com.

elita CT-700

Only from
ALKAVIVA



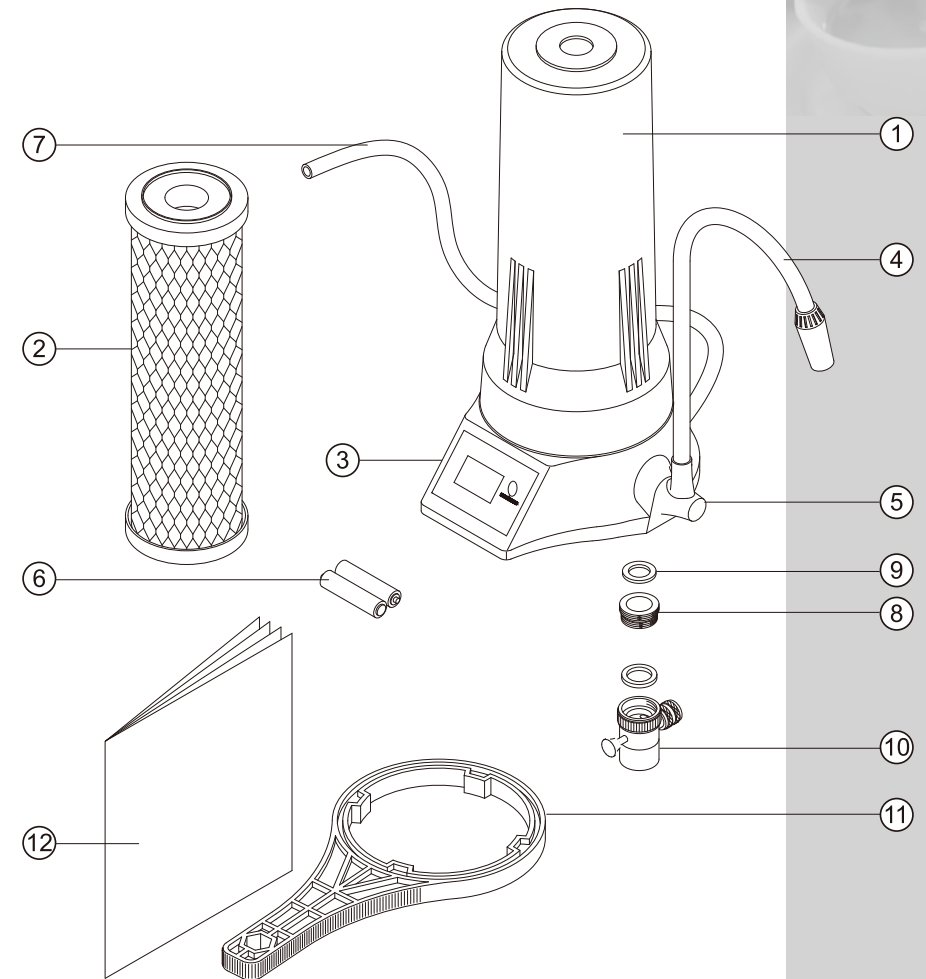
USER MANUAL

Congratulations

on Your New Purchase!

Important Instructions

- Never run hot water through your ionizer as this can damage your UltraWater Filter.
- Wash with warm, soapy water and a soft cloth or sponge. Using harsh materials may result in scratches in the finish.
- Protect your **ēlita**_{CT-700} from freezing temperatures.
- Install only on a hard and level surface.
- Forcefully pushing in the diverter valve pull-out tab to return the flow of water to your faucet while your water is still running will damage the diverter valve. To turn off the flow of water from your **ēlita**_{CT-700}, simply turn off the water at your tap.
- Make sure to use your **ēlita**_{CT-700} only with potable water which is suitable for human consumption.
- For the best pH and ORP results, allow the filter to soak inside of the housing overnight activating the media inside. (The water is safe to drink immediately after flushing and will be clean and contaminant free, but will need to soak for optimal results.)
- Do not close, bend, pinch, press or otherwise obstruct output port or hose.
- If you plan on not using your **ēlita**_{CT-700} for an extended period (more than 3 weeks), remove the filter and store it in a plastic bag in your refrigerator.
- Contact Technical Support at (775) 324-2400 Option 2 if repair is needed.



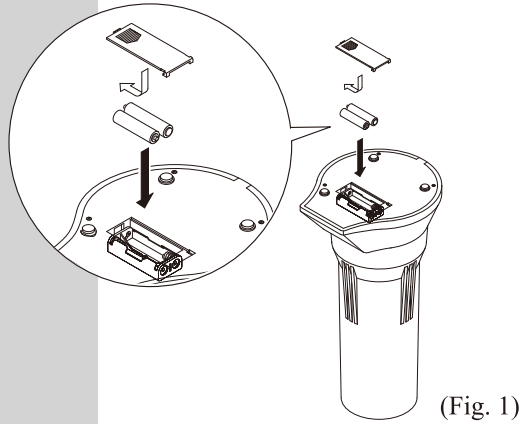
Content :

- | | |
|-------------------------------|--------------------|
| 1. top housing | 7. tube |
| 2. UltraWater cartridge | 8. faucet adapter |
| 3. base housing | 9. gasket |
| 4. spout | 10. diverter valve |
| 5. elbow | 11. wrench |
| 6. AAA alkaline batteries x 2 | 12. user's manual |

Installation

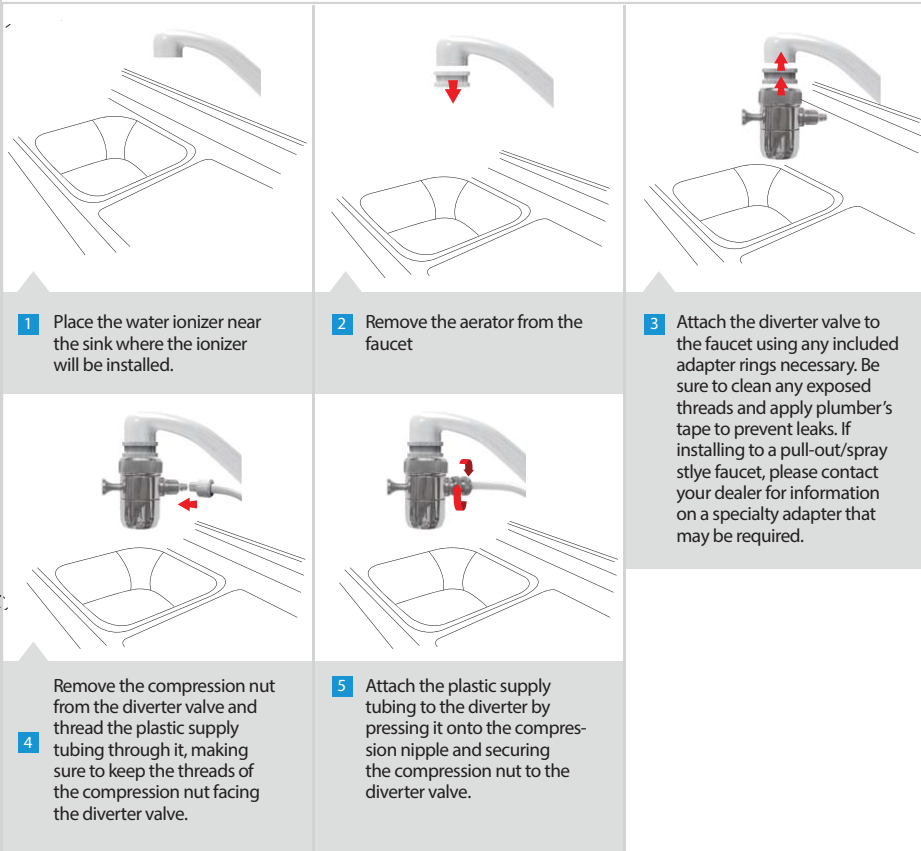
Installing batteries

Slide off the battery cover and put in 2 AAA batteries. Then slide back the battery cover and close. (Fig.1)



(Fig. 1)

Attaching to Faucet



1 Place the water ionizer near the sink where the ionizer will be installed.

2 Remove the aerator from the faucet

3 Attach the diverter valve to the faucet using any included adapter rings necessary. Be sure to clean any exposed threads and apply plumber's tape to prevent leaks. If installing to a pull-out/spray style faucet, please contact your dealer for information on a specialty adapter that may be required.

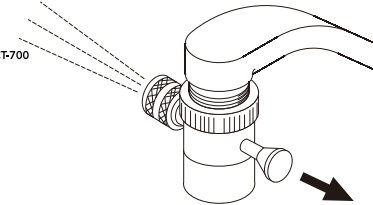
4 Remove the compression nut from the diverter valve and thread the plastic supply tubing through it, making sure to keep the threads of the compression nut facing the diverter valve.

5 Attach the plastic supply tubing to the diverter by pressing it onto the compression nipple and securing the compression nut to the diverter valve.

Operation

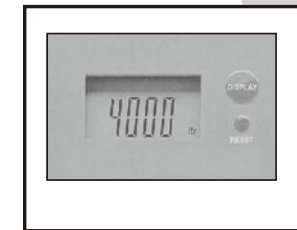
Operating

a. Once the diverter and the cold water line are attached, the **ēlita_{CT-700}** is ready for use. Turn on the faucet, then pull the diverter knob toward you (Fig. 4) This diverter valve diverts the water from your tap to the **ēlita_{CT-700}** unit where it flows through the UltraWater filter and out the **ēlita_{CT-700}** faucet.



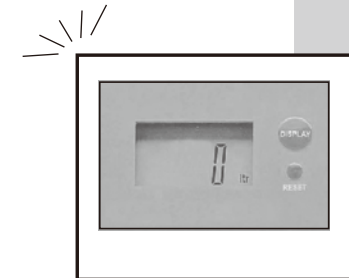
(Fig. 4)

- b. The first time you use your **ēlita_{CT-700}** please flush the carbon from the filter for a minute or two — until the water is clear. This carbon flush is not harmful.
- c. When in use, the filter monitor shows the remaining filter life on the LCD. The LCD automatically turns off to save battery power, 10 seconds after the water stops flowing.



End of filter life alert

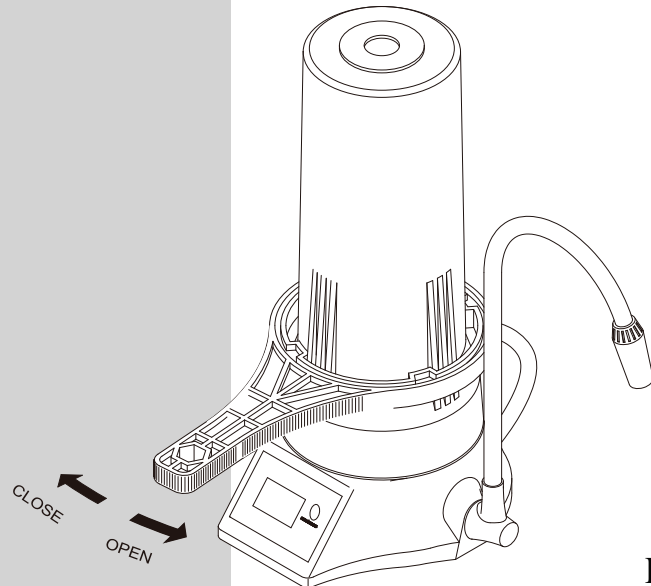
The electronic filter monitor blinks and emits an audible sound notifying you that the filter has reached its capacity. Replace the filter immediately for the cleanest, healthiest water.



Filter Replacement

Replacing Your UltraWater Filter

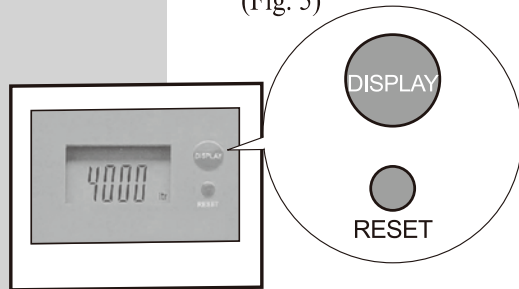
Use the plastic wrench to twist the housing of the water filter counter-clockwise. Take out the old UltraWater cartridge, and replace with a new one. Then twist the housing of the water filter clockwise until snug. (Fig 5)



(Fig. 5)

Reset the Counter

After the filter cartridge is replaced, press the reset button to reset the filter counter to zero. Should you choose to reset the filter counter before it reaches capacity, Press the Reset button while holding down the Display button (then let go of the buttons). The LCD monitor will begin blinking indicating it is resetting the counter. It will stop blinking within 10 seconds once it resets to zero.



Warranty / Return Policy

If at any time in the first 14 days you wish to return your non-electric ionizer, we will give you a full refund, less 20% restocking fee, as long as your non-electric ionizer is returned in 'as new' condition and in its original packing. The warranty is for 3 years and begins on the original purchase date. The warranty covers all parts and 100% of labor costs due to manufacturing defects only. Customer is responsible for shipping costs both ways unless the unit is defective out of the box. The warranty expressly excludes damage caused by environmental damage, including but not limited to mineral buildup due to hardwater, or high levels of iron, or poor source water quality. For complete warranty information see www.alkaviva.com/alkaviva-return-policy.aspx

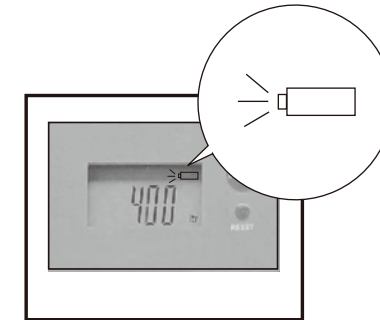
Battery Replacement

Low Battery Power Alert

When the battery power is low, the electronic filter monitor will generate an audible sound and you will see a blinking battery symbol in the upper right corner of the LCD display indicating a battery replacement is needed. Once you have replaced the batteries, this alert will stop.

Saves Your Usage Data

The *élita* LCD uses two AAA alkaline batteries that last approximately one year. Should the batteries fail before you replace them, the last data recorded will automatically be saved.



Getting Started Drinking Alkaline Water

If you have never consumed alkaline water, let your body adjust slowly and naturally for 4 to 7 days. This can be accomplished by introducing the alkaline water by alternating 1/2 UltraWater and 1/2 the other water that you normally drink.

As your body naturally adjusts, you can begin to introduce 100% alkaline water into your daily regimen. (If you are taking time-released medication, it is recommended that you take it with filtered water since medications are absorbed more quickly with alkaline water.)

