

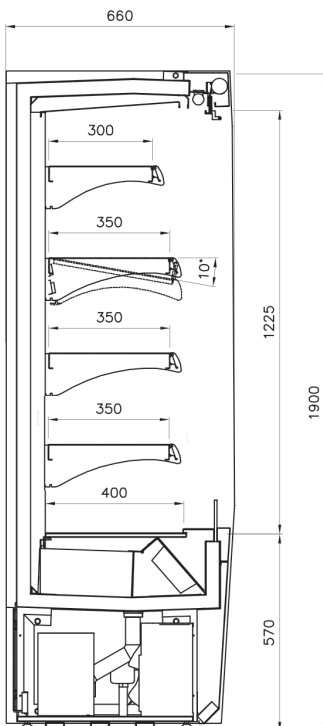
Multideck Display



Pronto MD Slimline



PRONTO MD 188



KEY FEATURES

- 5 lengths
- 4 display levels (3 shelves and base)
- Night-Blind included
- Internal lighting
- Ticket strips

EXTRA SPEC DETAILS

- Power Required – 13 amp
- Automatic defrost
- Refrigerant – R290
- Refrigeration System – Fan assisted evaporator & condenser
- Exterior Finish – White
- Internal Finish – White
- Maximum Ambient - 25°C / 60% RH
- Standard colour of front panel is White

OPTIONAL EXTRAS

- Shelf edge risers
- Additional shelf (300mm depth)
- Optional factory fit colours for front panels:



- Product Dividers
- Castors (Factory Fit)
- Acrylic Product Stopper



Model	Dimensions (wxdxh) mm	Weight Kg	Temperature	Shelves	Display Surface	Electrical Consumption Watts	See Price List
S PRONTO MD 68	680 x 660 x 1900	141	+2 / +4°C	3	0.81m ²	1595	
PRONTO MD 98	980 x 660 x 1900	176	+2 / +4°C	3	1.23m ²	1636	
PRONTO MD 128	1280 x 660 x 1900	240	+2 / +4°C	3	1.65m ²	2133	
PRONTO MD 148	1480 x 660 x 1900	282	+2 / +4°C	3	1.93m ²	2133	
S PRONTO MD 188	1880 x 660 x 1900	313	+2 / +4°C	3	2.48m ²	2738	