



HAND BLENDER XM-33

Professional immersion blender. 400 W.



- ✓ Professional performance: capable of carrying out prolonged work without the casing overheating.
- ✓ Life-plus: equipped with a motor which has passed all of the most demanding usage tests.
- ✓ Studied geometry: casing designed to avoid rolling and falling.
- ✓ Easy to clean: detachable arm, can be cleaned under the tap.
- ✓ Approved by NSF: guaranteed safety and hygiene.

INCLUDES

- ✓ Fixed speed motor block.
- ✓ MA-33 mixer arm.
- ✓ Wall mount.

ACCESSORIES

- Clamp sliding frame
- Bowl clamp
- Mixer arms MA-30

SALES DESCRIPTION

Fixed speed motor block.
420 mm detachable arm.
Designed for continuous use in recipients of up to 60 litres.

All-in-one

- ✓ Professional hand blender designed for carrying out different preparations without the need for add-on tools.
- ✓ Professional Y-blade, made from tempered steel and with a long-duration cutting edge.
- ✓ Fixed speed.
- ✓ Designed to work in recipients of up to 60 litres.

Maximum comfort for the user

- ✓ Compact design: logical and manageable size.
- ✓ Ergo-design & bi-mat-grip: external casing made in two materials for an ergonomic hold. Anti-slip grip. Optimum inclination of handle, minimising fatigue.
- ✓ Click-on-arm: detachable arm with fast and secure closure.
- ✓ Hood designed to avoid splashes.
- ✓ Intuitive use: very simple operation. LED warning light in two colours to indicate the status of the machine.
- ✓ Possibility of continuous operation.

Built to last



SAMMIC, S.L.
Basiglio, 1 - 20720 ASKOTTA
www.sammic.com



www.sammic.co.uk

Food Service Equipment Manufacturer

Unit 2, Trevanah Road
Troon Industrial Park
LE4 9LS - Leicester

uksales@sammic.com
Tel.: +44 0116 246 1900



Project

Date

Item

Qty

Approved

DYNAMIC PREPARATION
COMMERCIAL HAND BLENDERS - XM RANGE

product sheet
updated 29/03/2021



HAND BLENDER XM-33

Professional immersion blender. 400 W.



SPECIFICATIONS

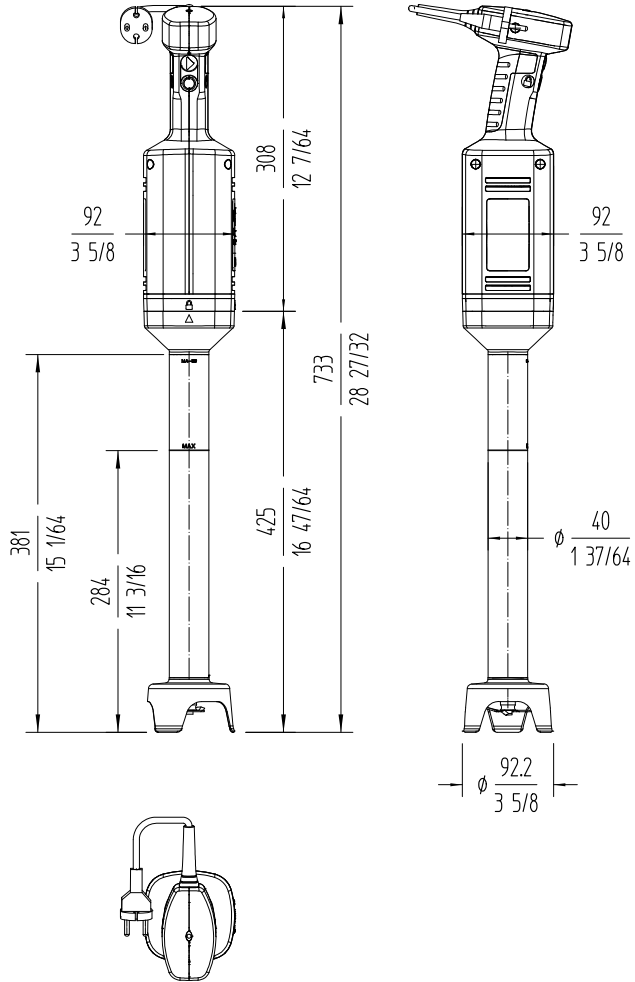
Total loading: 400 W
Maximum recipient capacity: 60 l
: 284.7 mm
Motor speed: 12000 rpm
Blade diameter: 55 mm
Blade guard diameter: 92.2 mm

Length

Liquidising arm length: 420 mm
Total length: 728 mm
Net weight: 3.74 Kg
Noise level (1m.): <80 dB(A)

Crated dimensions

455 x 475 x 117 mm
Gross weight: 4.73 Kg.



DYNAMIC PREPARATION
COMMERCIAL HAND BLENDERS - XM RANGE

AVAILABLE MODELS

3030791 Immersion blender XM-33 230/50-60/1

* Ask for special versions availability



www.sammic.co.uk
Food Service Equipment Manufacturer
Unit 2, Trevanth Road
Troon Industrial Park
LE4 9LS - Leicester
uksales@sammic.com
Tel.: +44 0116 246 1900



Project	Date
Item	Qty
Approved	

product sheet
updated 29/03/2021