



Outperform every day.™

Project:

Item Number:

Quantity:

INTERNATIONAL COUNTERTOP MIXERS



6.6 Liter



9.5 Liter

Countertop Mixers

DESCRIPTION

Vollrath's countertop mixers are designed specifically for small commercial mixing applications. These compact tabletop mixers are small enough to fit into any kitchen yet robust enough for continuous use.

MODELS

Item No.	Model No.	Description
4075503	MIX1007CE	Countertop – 6.6 Liter, UK Plug
4075502	MIX1007CE	Countertop – 6.6 Liter, Schuko Plug
4075505	MIX1007CE	Countertop – 6.6 Liter, AU Plug
4075603	MIX1010CE	Countertop – 9.5 Liter, UK Plug
4075602	MIX1010CE	Countertop – 9.5 Liter, Schuko Plug
4075605	MIX1010CE	Countertop – 9.5 Liter, AU Plug

FEATURES

- Commercial grade countertop model
- Five-speed direct drive transmission
- Digital control panel to make easy speed shifts while unit is running
- 30 minute timer stops the mixer when timer ends
- Compact and lighter weight design for smaller footprint, easier cleaning, and portability
- Non-skid rubber base
- 6 ft. (1.8 m) cord with plug

Agency Listings



Due to continued product improvement, please consult www.vollrath.com for current product specifications.

WARRANTY: The warranty period is 2 years on parts, 1 year on labor and 5 years on belts. For full warranty details, please refer to www.Vollrath.com.

Approvals	Date

The Vollrath Company, L.L.C.
 Headquarters
 1236 North 18th Street
 Sheboygan, Wisconsin
 53081-3201 USA
 Tel: 920-457-4851
 Main Fax: 920-459-6573
www.vollrath.com

Vollrath Europe BV
 Beneluxbaan 7
 5121 AD RIJEN
 The Netherlands
 +31161870005

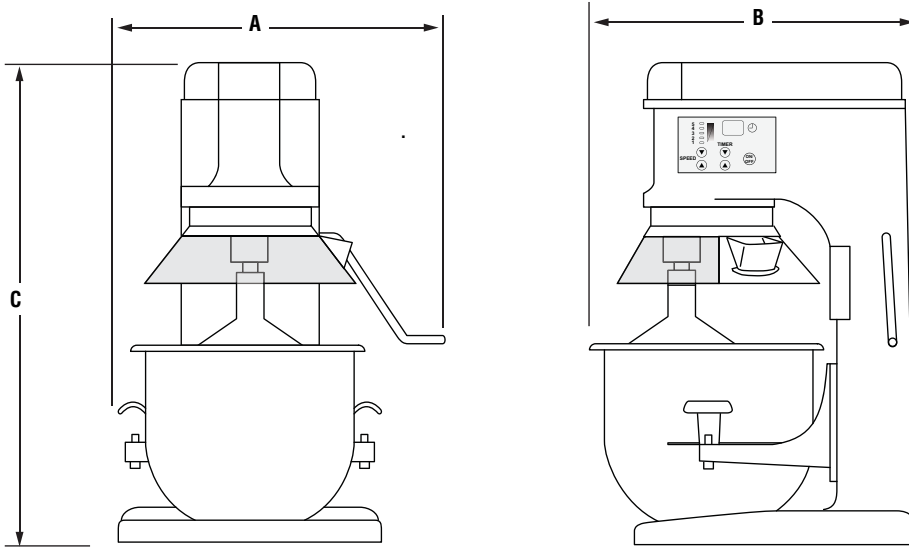
Vollrath of China
 Vollrath Shanghai Trading Limited
 29D, 855 South Pu Dong Road
 Shanghai, China 200120
 Tel: 86-21-50589580

Vollrath de Mexico S. de R.L. de C.V.
 Periferico Sur Edificio 2-C
 Col. Santa Maria Tequepexpan
 45601 Tlaquepaque, Jalisco Mexico
 Tel: (52) 333-133-6767
 Tel: (52) 333-133-6769
 Fax: (52) 333-133-6768

INTERNATIONAL COUNTERTOP MIXERS

DIMENSIONS

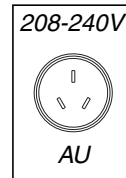
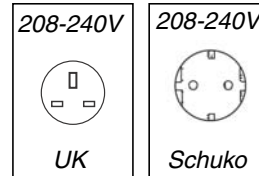
Dimensions shown in inches (cm).



SPECIFICATIONS

Item No.	Capacity	Dimensions			Transmission	HP	Voltage	Amps	Plug
		(A) Width	(B) Depth	(C) Height					
4075503	6.6 L	13 ¹ / ₈ (33.3)	17 ³ / ₄ (45.1)	20 ¹ / ₄ (51.4)	5 speed	1/3	220-230	3	UK
4075502	6.6 L	13 ¹ / ₈ (33.3)	17 ³ / ₄ (45.1)	20 ¹ / ₄ (51.4)	5 speed	1/3	220-230	3	Schuko
4075505	6.6 L	13 ¹ / ₈ (33.3)	17 ³ / ₄ (45.1)	20 ¹ / ₄ (51.4)	5 speed	1/3	220-230	3	AU
4075603	9.5 L	13 ¹ / ₁₆ (33.2)	17 ¹¹ / ₁₆ (44.9)	21 ³ / ₁₆ (53.8)	5 speed	1/3	220-230	3	UK
4075602	9.5 L	13 ¹ / ₁₆ (33.2)	17 ¹¹ / ₁₆ (44.9)	21 ³ / ₁₆ (53.8)	5 speed	1/3	220-230	3	Schuko
4075605	9.5 L	13 ¹ / ₁₆ (33.2)	17 ¹¹ / ₁₆ (44.9)	21 ³ / ₁₆ (53.8)	5 speed	1/3	220-230	3	AU

Receptacle



The Vollrath Company, L.L.C.
 Headquarters
 1236 North 18th Street
 Sheboygan, Wisconsin
 53081-3201 USA
 Tel: 920-457-4851
 Main Fax: 920-459-6573
www.vollrath.com

Vollrath Europe BV
 Beneluxbaan 7
 5121 AD RIJEN
 The Netherlands
 +31161870005

Vollrath of China
 Vollrath Shanghai Trading Limited
 29D, 855 South Pu Dong Road
 Shanghai, China 200120
 Tel: 86-21-50589580

Vollrath de Mexico S. de R.L. de C.V.
 Periferico Sur Edificio 2-C
 Col. Santa Maria Tequepexpan
 45601 Tlaquepaque, Jalisco Mexico
 Tel: (52) 333-133-6767
 Tel: (52) 333-133-6769
 Fax: (52) 333-133-6768