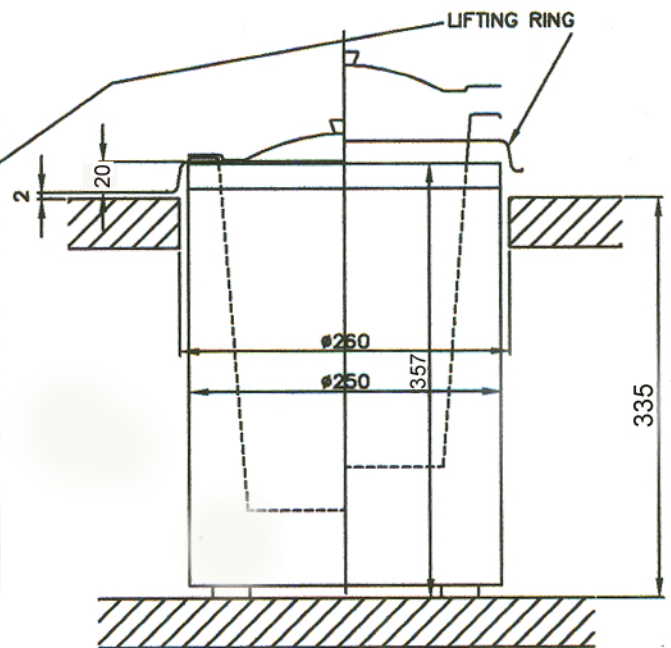


INSTALLATION 1. SOUP WARMER BELOW WORK SURFACE



INSTALLATION 2. SOUP WARMER ABOVE WORK SURFACE

THE SOUPWARMER MAY BE INSTALLED IN EITHER OF THE POSITIONS SHOWN, DEPENDING ON THE ORIENTATION OF THE LIFTING RING. FIG.1 SHOWS THE WARMER BELOW THE WORK SURFACE (NOTE THE ORIENTATION OF THE LIFTING RING) AND FIG.2 SHOWS THE SOUPWARMER ABOVE THE WORK SURFACE WITH THE LIFTING RING INVERTED.

Title SOUP WARMER INSTRUCTIONS		VICTORIAN BAKING OVENS
Drg.No.		
Drn N.B.	Sheet 1 of 1 Sheets	Issue B
Date	SCALE	

TEL: 01902 351477  
FAX: 01902 351437