



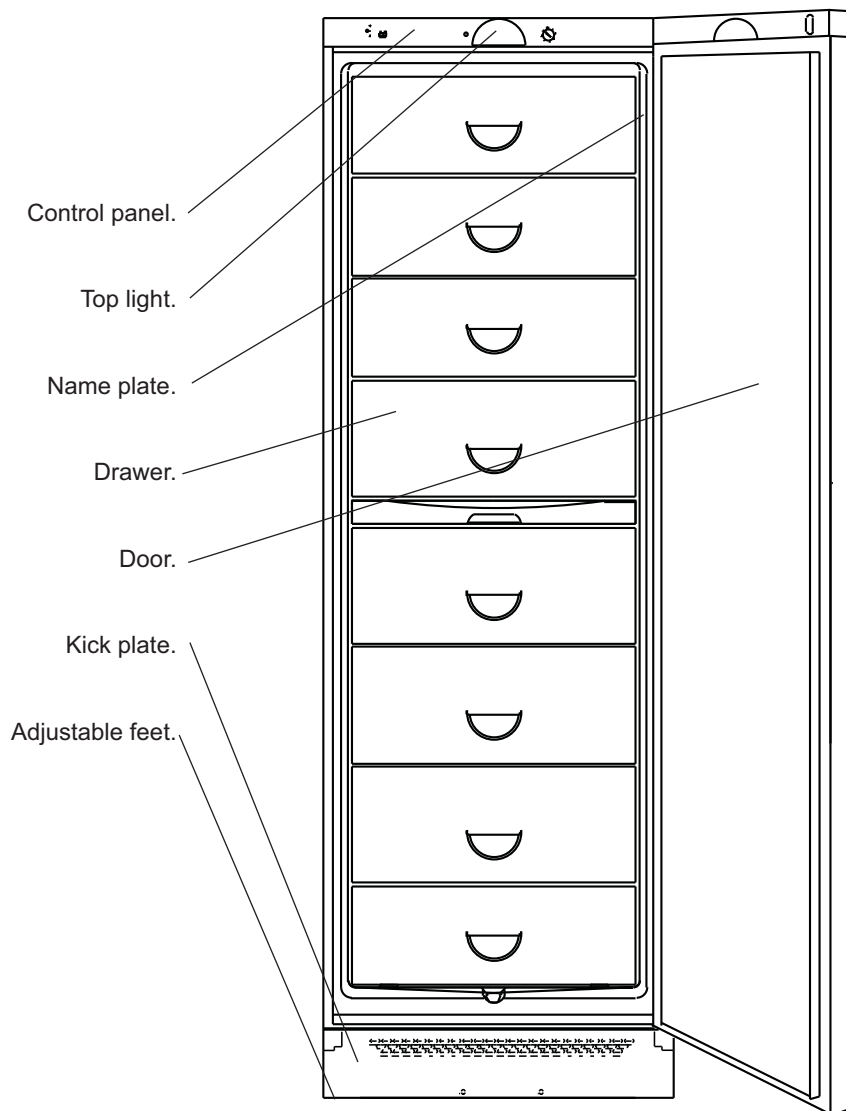
CFS 344

GB Instructions for use
DE Bedienungsanleitung
FR Mode d'emploi

IT Manuale d'uso
NL Gebruiksaanwijzing



Get to know your freezer





Warning

In case this appliance contains hydrocarbon freezer please refer to guidelines listed below.

As the appliance contains a flammable freezer, it is essential to ensure that the freezer pipes are not damaged.

Standard EN378 specifies that the room in which you install your appliance must have a volume of 1m³ per 8 g of hydrocarbon freezer used in the appliances. This is to avoid the formation of flammable gas/air mixtures in the room where the appliance is located in the event of a leak in the freezer circuit. The quantity of the freezer used in your appliance is indicated on the rating plate.

WARNING: Keep ventilation openings in the appliance's cabinet or in the built-in structure clear of obstruction

WARNING: Do not use other **mechanical devices** or other means to accelerate the defrosting process than those recommended by the manufacturer

WARNING: Do not damage the refrigerant system

WARNING: Do not use **electrical appliances** inside the refrigerated storage compartment, unless they are of a type recommended by the manufacturer

WARNING: Do not expose the appliance to rain

WARNING: This appliance is not intended for use by young children or infirm persons unless they have been adequately supervised by a responsible person to ensure that they can use the appliance safely. Young children should be supervised to ensure that they do not play with the appliance

- Always keep the keys in a separate place and out of reach of children
- Before servicing or cleaning the appliance, unplug the appliance from the mains or disconnect the electrical power supply
- If the supply cord is damaged, it must be replaced by the manufacturer, its service agent, or similarly qualified persons in order to avoid a hazard
- **Relevant for Australia:** Supply cord fitted with a plug complies with AS/NZS 3112.
- Frost formation on the interior evaporator wall and upper parts is a natural phenomenon. Therefore, the appliance should be defrosted during normal cleaning or maintenance.
- Please note that changes to the appliance construction will cancel all warranty and product liability



Contents

Get to know	2
Warning	3
Before starting the appliance.....	4
Maintenance	4
Installation	5
Technical data.....	5
Control panel	6
How to freeze	6
Defrosting the freezer.....	7
Has the appliance stopped working?.....	8
General advice	8
Change of light bulb.....	8
Lock.....	8
Change of hinge side.....	9
Warranty, spare parts	10
Disposal.....	11

Before starting the appliance

Check that the cabinet is undamaged. Please report any damage immediately to your dealer. Wash the cabinet and inner lining with a mild unscented detergent and wipe it dry. Do not use abrasive scouring powder, steel wool or similar.

If the appliance has digital thermometer please see page C and D

Maintenance

The kick panel can be removed to facilitate a vacuum-cleaning of the floor.

Only use an unscented detergent when cleaning the cabinet inside.

You may remove the top panel and wash it when cleaning the cabinet inside.

Switch off the appliance and pull out the plug when cleaning the cabinet.

To make the cooling system work at its optimum it is necessary from time to time to clean the wire condensator and the compressor at the back of the cabinet by means of a brush or a vacuum cleaner. Remember to clean the drain.

Installation

See drawings - page A and B. Install the cabinet in a dry place and so that it is not exposed to direct sunlight or any other heat source.

Place the cabinet in a level position. This is easily achieved by adjusting the adjustable feet at the front edge of the base.

The cabinet may not rest against a wall on its hinged side. When placing the cabinet on carpet or on wooden floor you should adjust it once more after some time as the cabinet might settle in soft foundations.

If you want to build the appliance into a cupboard you must consider 3 factors:

1. There must be space above the appliance in order to make the cooling system work satisfactorily.
2. When the door is opened the appliance takes up more room than the width of the cabinet and therefore the door must either be placed outside the cupboard or there must be a space of at least 1,5 cm at the hinge side.
3. The distance to the wall at the hinge side must be of a sufficient size.

Furthermore it is possible to build together two appliance. If one of these is a wine cabinet please observe a min. distance of 25mm between the cabinet in order to keep cooling performance intact.

It is safest to place the earthed wall socket above the appliance and at least 1.7 / 2.0 m above the floor. Any local installation rules for appliances of this kind must be observed.

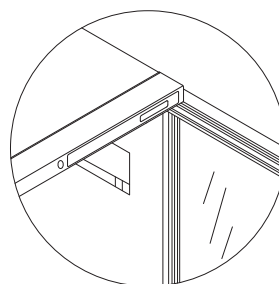
During a storm the electricity supply might be cut off. You should be aware of this when installing the appliance in weekend cottages or elsewhere where you would not

immediately observe that the power has been cut off. Construction and details in the accessories are subject to alteration without previous notice.

Technical data

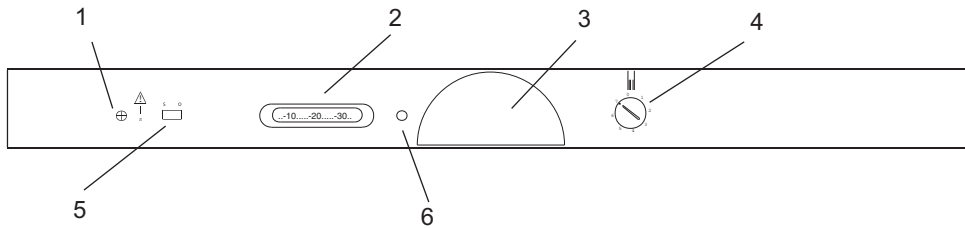
This device complies with relevant EU directives including Low Voltage Directive 2006/95 EEC. and Electromagnetic Compatibility Directive 2004/108/EC

The rating plate provides various technical information as well as type and serial number.





Control panel



1. Yellow pilot lamp lights when freezing switch is activate.

2. Thermometer (not in all appliance).

3. Lighting

4. Thermostat knop.

5. Super freezing switch.

6. Door switch, lighting.

How to freeze.

To keep food at its best, items must be frozen to -18°C as quickly as possible. Activating the Super Freeze function reduces freezer temperature to -25°C . If items weighing 3 kg or more are to be frozen, the Super Freeze button should be activated about 24 hours in advance.

To freeze smaller quantities, it is sufficient to activate Super Freeze just a couple of hours in advance, or even at the same time as items are placed in the freezer. There is no need to use Super Freeze when pre-frozen items are placed in the freezer or when small, single items are involved.

Super Freeze

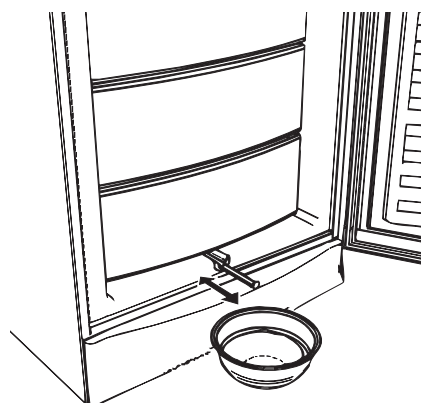
If more than 3 kg of fresh items are to be frozen, proceed as follows:

1. Press the Super Freeze button (the yellow lamp lights up). The freezer then operates at maximum capacity (the compressor runs continuously).
2. Activate Super Freeze 24 hours before placing fresh items in the freezer.
3. After placing fresh items in the freezer, leave Super Freeze on for a further 24 hours.
4. Then press the Super Freeze button again (the yellow lamp goes off).

Defrosting the freezer

The goods and the humidity of the air will gradually cause frost and ice to form in the freezer unit. A thin layer of frost or ice does not affect the functioning of the freezer, but the thicker the coating, the higher the energy consumption. A little loose frost can be scraped off with a plastic or wooden scraper. (Never use a knife or other sharp tool, as this may damage the evaporator unit). When the frost and ice is about 4-5 mm thick, the freezer must be defrosted. Do this as follows:

1. Switch off the unit by turning the thermostat knob to zero.
2. Pull out the spout at the bottom of the freezer and put a bowl under it.
3. Take the food out. Keep it in the fridge or packed in newspaper to keep it as cold as possible.
4. Place a bowl of hot (not boiling) water in the freezer.
5. When the ice has melted, clean the freezer with water and a little detergent. Wipe dry with a soft cloth.
6. Set the thermostat button again. Push in the freezing button if there is a lot of food to be put in the unit.
7. Put the food in again when the temperature has reached -18°C - you can see this on the freezer thermometer (it takes about an hour).
8. Switch off the freezing button.



For defrosting pull out the drain water extension over a bowl.

Save energy

- Cool hot food and beverages before placing them in the freezer.
- Thaw frozen items in a refrigerator.
- Keep the lid closed as much as possible.
- Check regularly that the lid closes tightly.
- Position the freezer in a cool (min. 5°C) well-ventilated room.
- Place frozen items in a refrigerator while defrosting the freezer.
- Defrost the freezer before the layer of ice becomes excessively thick.



Has the appliance stopped working?

Before calling a repairman, check that the plug is properly plugged into the wall socket.

- The fuse is intact.
- The power has not been cut off.
- All controls are correctly set.
- Switch off the cabinet for 15 minutes (for instance at the thermostat). Switch back on and after 5 minutes check whether frost has formed on the evaporator.
- Do not open the cabinet unnecessary.

Change of light bulb

Remove the mains plug from the socket. The light bulb is changed like a normal light bulb.

Bulb designation: 12W E14.

Please note:

The light bulb have a rating of max. 12W.

General advice

The appliance is equipped with a high quality skin condenser.

Therefore, a slight heating of the side walls is quite normal.

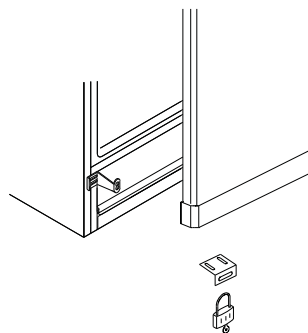
Lighting

This appliance is equipped with a device which causes the light to switch off if the door is left open for abnormally long time.

When the door has been closed for a couple of minutes, the light switch returns to normal operation.

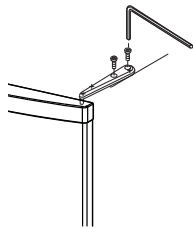
Mounting of lock

(Optional extra.)

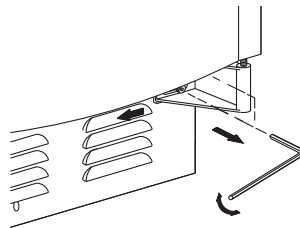


Change of hinge side

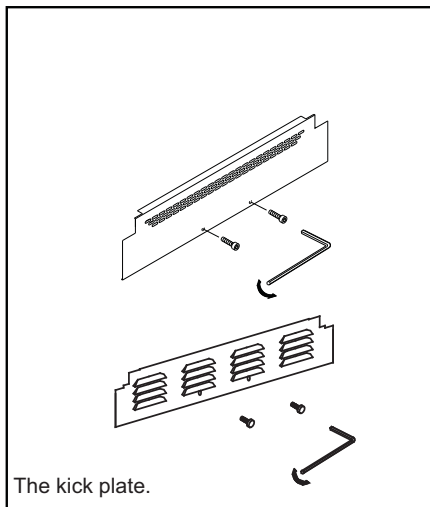
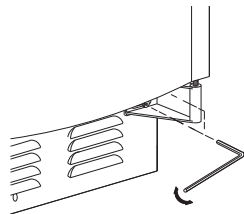
1) Dismount the top hinge. The hinge is to be used later as top hinge at the opposite side. Lift off the door.



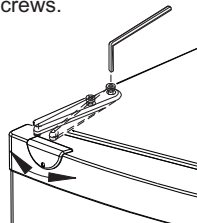
4) Adjusting the bottom door: Loosen the 3 screws in the bottom hinge and push the bottom hinge to the required side. Tighten the screws and mount the kick plate.



2) Remove the kick plate. The bottom hinge is dismantled at the 3 screws. The hinge is turned 180° and mounted on the opposite side.



3) Adjustment of the top door: loosen the screws in the hinge above the door, loosen the hinge above the door and turn the hinge to the wanted side. Tighten the screws.



5) Move the handle.





Warranty, spare parts and service

Warranty disclaimer

Faults and damage caused directly or indirectly by incorrect operation, misuse, insufficient maintenance, incorrect building, installation or mains connection. Fire, accident, lightning, voltage variation or other electrical interference, including defective fuses or faults in mains installations.

Repairs performed by others than approved service centres and any other faults and damage that the manufacturer can substantiate are caused by reasons other than manufacturing or material faults are not covered by the warranty.

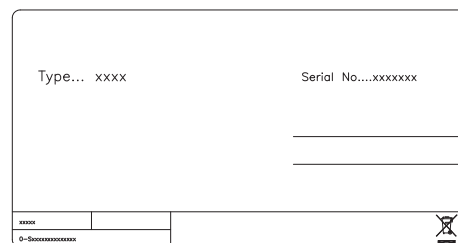
Please note that changes to the construction of the appliance or changes to the component equipment of the appliance will invalidate warranty and product liability, and the appliance cannot be used lawfully. The approval stated on rating plate will also be invalidated.

Transport damage discovered by the buyer is primarily a matter to be settled between the buyer and the distributor, i.e. the distributor must ensure that such complaints are resolved to the buyer's satisfaction.

Before calling for technical assistance, please check whether you are able to rectify the fault yourself. If your request for assistance is unwarranted, e.g. if the appliance has failed as a result of a blown fuse or incorrect operation, you will be charged the costs incurred by your call for technical assistance.

Spare parts

When ordering spare parts, please state the type, serial and product numbers of your appliance. This information is given on the rating plate. The rating plate contains various technical information, including type and serial numbers.



Product number.

Disposal

Information for Users on Collection and Disposal of Old Equipment and used Batteries



These symbols on the products, packaging, and/or accompanying documents mean that used electrical and electronic products and batteries should not be mixed with general household waste. For proper treatment, recovery and recycling of old products and used batteries, please take them to applicable collection points, in accordance with your national legislation and the Directives 2002/96/EC and 2006/66/EC.

By disposing of these products and batteries correctly, you will help to save valuable resources and prevent any potential negative effects on human health and the environment which could otherwise arise from inappropriate waste handling.

For more information about collection and recycling of old products and batteries, please contact your local municipality, your waste disposal service or the point of sale where you purchased the items.

Penalties may be applicable for incorrect disposal of this waste, in accordance with national legislation.



For business users in the European Union.

If you wish to discard electrical and electronic equipment, please contact your dealer or supplier for further information.

[Information on Disposal in other Countries outside the European Union]

These symbols are only valid in the European Union. If you wish to discard this product, please contact your local authorities or dealer and ask for the correct method of disposal.

Note for the battery symbol (bottom two symbol examples):



This symbol might be used in combination with a chemical symbol. In this case it complies with the requirement set by the Directive for the chemical involved.