

TUC-27F-HC

Undercounter Foodservice Freezer, 1 Solid Swing Door



Dimensions	
External Width (mm)	702
External Depth (mm)	766
External Height (mm)	839
Exclusions	Depth does not include 26 mm for rear bumpers.
Net Volume (Litres)	143
Gross Volume (Litres)	184
Supplied Shelves	2
Shelf Size (L x D mm)	One 590 x 488 + One 590 x 349
Internal Net Height (mm)	630
Unpackaged Weight (kg)	76
Packaged Weight (kg)	87
Packaged Dimensions (W x D x H mm)	769 x 839 x 1207
Supplied Supports	Ø 64 mm castors (83 mm height) (reduced height option available, totals 810 mm)

Build	
Door Description	1 Solid Swing Door
Door Opening	Right (standard) or Left. Field Reversible.
Exterior Construction	Stainless steel front & countertop, aluminium sides & rear
Interior Construction	Clear coated aluminium, stainless steel base
Air Intake Position	Front
Ventilation Position	Front
Clearance Required	Zero back and sides
Cord Length (Meters)	2.13
Standard w/ Locks	Not standard (SPEC3 option)

Technical	
Temperature Holding	-23°C
Refrigerant	R290
Voltage / Frequency / Phase	220-240V/50-60Hz/1
Amps	1.3
Wattage	299
Climate Class	5
Operating Statement	Heavy Duty: This appliance is intended for use in ambient temperatures up to 40°C.
Testing Standard	EN 16825
EEC	C
EEl	45.8
kWh/24hr	4.03
kWh/Annum	1472
Defrost Type	Auto



Specifications subject to change without notice.
Chart dimensions rounded up to the next whole millimeter (inches rounded up to the 1/8")

UK & Ireland
Europe
Australia

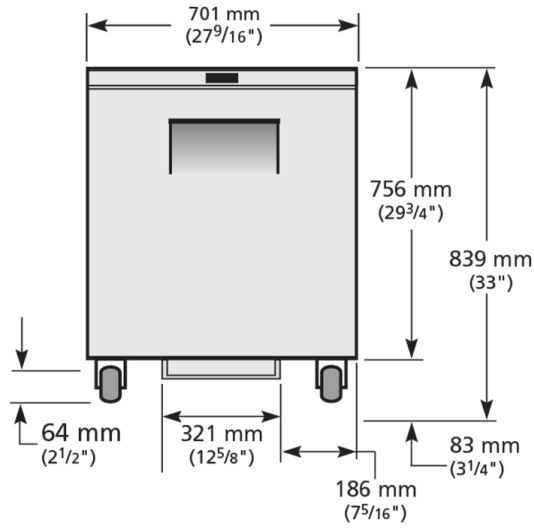
0800 783 2049
+49 (0) 7622 6883 0
+61 2 9619 9999

TFIUK@truemfg.com
TrueGermCustomerService@truemfg.com
TrueRefAus@truemfg.com

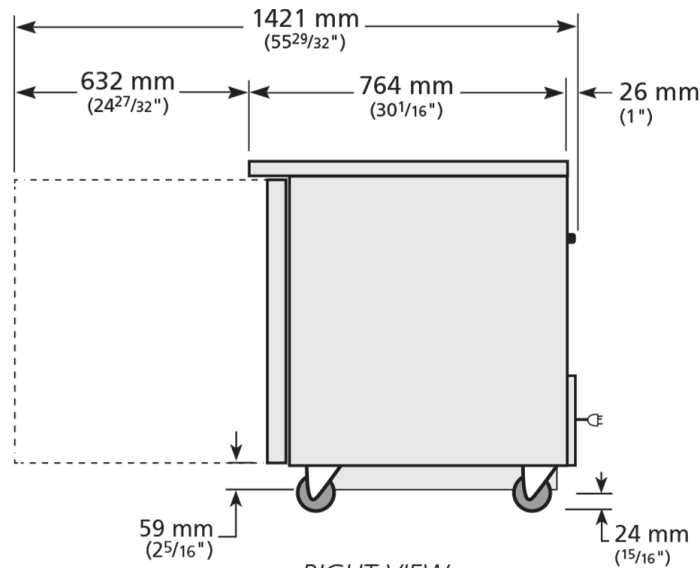


TUC-27F-HC

Undercounter Foodservice Freezer, 1 Solid Swing Door



ELEVATION



RIGHT VIEW



Specifications subject to change without notice.
Chart dimensions rounded up to the next whole millimeter (inches rounded up to the 1/8")

UK & Ireland
Europe
Australia

0800 783 2049
+49 (0) 7622 6883 0
+61 2 9619 9999

TFIUK@truemfg.com
TrueGermCustomerService@truemfg.com
TrueRefAus@truemfg.com

