

TSSU-72-30M-B-ST-HC

🇬🇧 Prep Table, 30x 1/6 Top Pans, 3 Solid Swing Doors



Dimensions		Build		Technical	
External Width (mm)	1839	Door Description	3 Solid Swing Doors	Temperature Holding	0.5 : 5°C
External Depth (mm)	867	Exterior Construction	Stainless steel front, top & hood, aluminium sides and rear	Refrigerant	R290
External Height (mm)	1185	Interior Construction	Clear coated aluminium, stainless steel base	Voltage / Frequency / Phase	220-240V/50Hz/1
Exclusions	Depth does not include 26 mm for rear bumpers. Height with lid closed.	Air Intake Position	Front	Amps	3.1
Gross Volume (Litres)	538	Ventilation Position	Front	Wattage	713
Supplied Shelves	6	Clearance Required	Zero back and sides	Defrost Type	Auto
Shelf Size (L x D mm)	Left & Right Upper: 547 x 514. Central Upper: 596 x 539. Left & Right Lower: 547 x 349. Central Lower: 596 x 349	Cord Length (Meters)	3.35		
Internal Net Height (mm)	535	Standard w/ Locks	Not standard (SPEC3 option)		
Top Pans Supplied (max depth mm)	30x 1/6 GN (100)				
Unpackaged Weight (kg)	198				
Packaged Weight (kg)	209				
Packaged Dimensions (W x D x H mm)	1931 x 940 x 1270				
Cutting Board (L x D mm)	1893 x 226				
Supplied Supports	∅ 127 mm castors (158 mm height)				



Specifications subject to change without notice.
Chart dimensions rounded up to the next whole millimeter (inches rounded up to the 1/8")

UK & Ireland
Europe
Australia

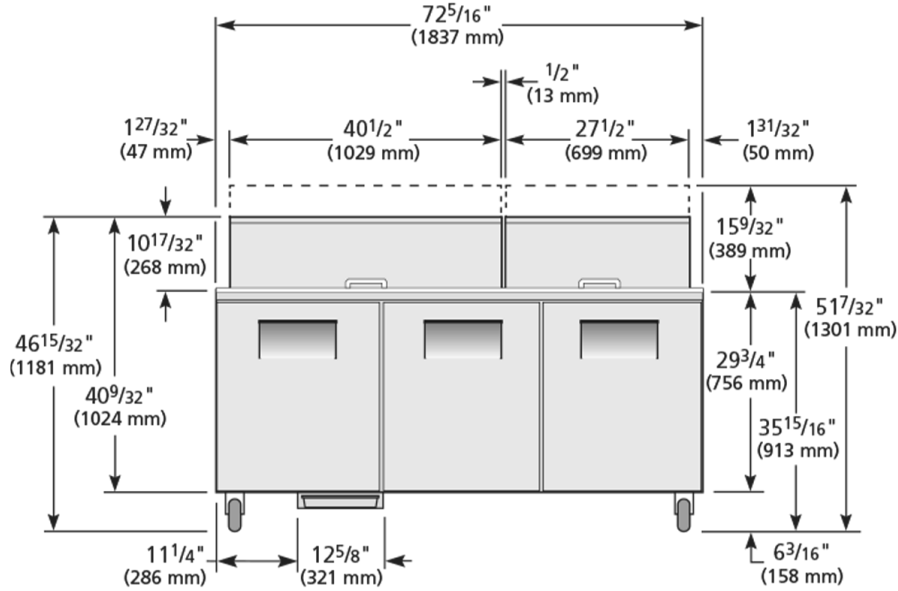
0800 783 2049
+49 (0) 7622 6883 0
+61 2 9619 9999

TFIUK@truemfg.com
TrueGermCustomerService@truemfg.com
TrueRefAus@truemfg.com

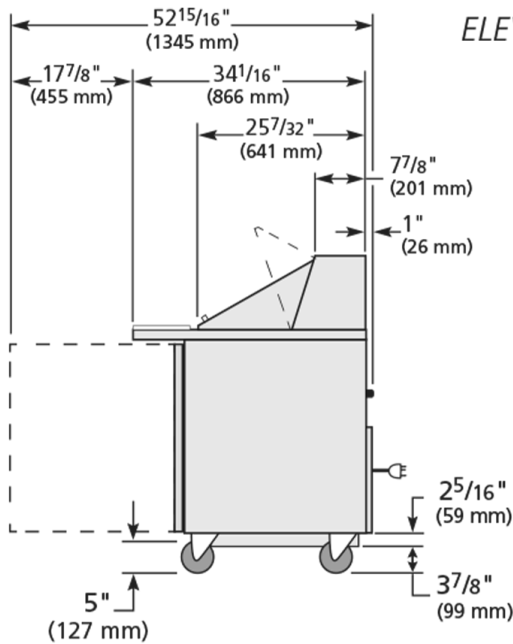


TSSU-72-30M-B-ST-HC

UK Prep Table, 30x 1/6 Top Pans, 3 Solid Swing Doors



ELEVATION



RIGHT VIEW



PAN LAYOUT



Specifications subject to change without notice.
 Chart dimensions rounded up to the next whole millimeter (inches rounded up to the 1/8")

UK & Ireland
 Europe
 Australia

0800 783 2049
 +49 (0) 7622 6883 0
 +61 2 9619 9999

TFIUK@truemfg.com
 TrueGermCustomerService@truemfg.com
 TrueRefAus@truemfg.com

